

PORTER

The Trusted Name In Nitrous

Dental Products Catalog

Effective February 1, 2025



Phone: 888-723-4001

Web: www.porterinstrument.com/dental

Parker | Porter

PORTER INSTRUMENT

Featuring

Porter and Matrix Brands



Repair and Trade In Programs

All current model flowmeters under 20 years of age and E-stands under 15 years of age can be repaired.
Contact Porter Customer Service or your Dental Dealer for information.

Repair Qualifying Serial Number Ranges:

Porter Model Flowmeters

- 1000 No repairs
- 1100 Serial Numbers 1100 and higher
- 2000 No repairs
- 2000-OS No repairs
- 2050/2055 No repairs
- 2065 No repairs
- 2065W All Serial Numbers 3899 and higher
- 3000 All Serial Numbers 9700 and higher
- 3000-OS Serial Numbers 1007 and higher
- 3065W All Serial Numbers
- 4065 All Serial Numbers
- 6465 All Serial Numbers

Matrix Model Flowmeters

- MDM Model 94500150 – 37330 and higher
Model 94500011 – 37015 and higher
- RA No repairs
- DMDM Black Faceplate – No repairs
- DMDM White Faceplate – 1000 and higher

Manifold Systems

- MXV No repairs – call for trade in
- Matrix No repairs – call for trade in
- Vanguard Call
- Sentinel Call

E-Stand Mobile Carts

- 2045E No repairs
- 2045-1 No repairs
- 2045-2 No repairs
- 2045-3 Serial Numbers 2043-1000 and higher
- 2045-3CA Serial Numbers 204C-1000 and higher
- 2045-3ISO Serial Numbers 201S-1000 and higher

Trade In Program

- Any brand flowmeter (Porter, Matrix, Accutron, Belmed, A-dec, Veriflo, McKesson, etc) qualify
- Any condition
- \$600 Retail credit towards purchase of any Porter or Matrix flowmeter. Cannot combine with any other offer.
- Contact Porter for more information

All returns must be assigned an ATR number by Porter customer service.

Contact Porter: 215-723-4000 or porternitrous@parker.com

Table Of Contents

| | | | |
|---|--------------|--|--------------|
| FLUSH MOUNT FLOWMETERS | 4-14 | OUTLETS AND HOSES | 38-41 |
| Porter Midas | 6-7 | Porter Quick Connect Outlet Stations | 38 |
| Porter MXR-D | 8-9 | Matrx Quick Connect and DISS Style Outlets | 39 |
| Porter MXR-1 | 10-11 | Hoses and Quick Connects | 40 |
| Porter Digital MDM | 12-13 | Vacuum Hoses and Vacuum Quick Connects | 41 |
| Porter Chair Mount Options | 14 | | |
| UPRIGHT FLOWMETERS | 15-26 | BREATHING CIRCUITS AND NASAL HOODS* | 42-50 |
| Porter Midas | 16-17 | Silhouette Low Profile Nasal Mask | 42-43 |
| Porter MXR | 18-19 | Porter Breathing Circuits and Vacuum Control | 44 |
| Porter Sentry Sedate | 20-21 | Porter Nasal Hoods | 45 |
| Matrx MDM | 22 | Porter Breathing Circuit Accessories And Parts | 46-47 |
| Porter Standard | 23 | Matrx Breathing Circuits, Nasal Hoods, and Vac Control | 48 |
| Upright Flowmeter Mount Options | 24 | Matrx Scavenger Parts | 49 |
| Mobile Cart Options | 25 | Matrx DynoMite Single-Use Nasal Hoods | 50 |
| Porter MXR Mounting Examples | 26 | | |
| ORAL SURGERY SYSTEMS / OXYGEN THERAPY | 27-33 | MISCELLANEOUS PARTS | 51-61 |
| Porter Midas Oral Surgery Flowmeter | 27 | MXR, Standard Flowmeter and AVS Parts | 51 |
| Porter Oral Surgery Flowmeter and Accessories | 28 | E-Stand and Mobile Cart Parts | 52 |
| Porter Oral Surgery Accessories | 29 | Flush Mount Flowmeter Accessories | 53 |
| Matrx Oral Surgery Packages and Accessories | 30 | Vanguard Manifold and Zone Valve Parts | 54 |
| Surgical Suction and Recovery Room | 31 | Sentinel Manifold and Zone Valve Parts | 55 |
| Oxygen Therapy and Emergency Oxygen | 32 | Outlet Station Replacement Parts | 56 |
| Tank Room Layout | 33 | Rough-in Repair Kits | 57 |
| MANIFOLD SYSTEMS | 34-37 | Matrx Non-Rebreathing Valve Replacement & Instr. | 58 |
| Vanguard Manifold Systems | 34 | Porter 2025 Chair Mount Kit | 59 |
| Sentinel Manifold Systems | 35 | Flush Mount Flowmeters Mounted | 60 |
| Nitrogen Manifold and Accessories | 36 | Gas Cost Comparison Chart | 61 |
| Manifold and Zone Valve Application Layout | 37 | | |

Flush and Surface Mount Flowmeters

Porter Instrument offers the most complete selection of Flush Mount flowmeters in the dental industry, resulting in a perfect flowmeter solution for every office.

Porter Midas™ Digital Touchscreen: *Technology & innovation at your fingertip (pg. 6)*

- Intuitive and easy to use touchscreen technology
- Touch and Slide™ flow and concentration controls
- Procedure Log, Security Pin, Gas Remaining feature – and so much more!



Porter MXR-D: *Unique, hybrid digital and analog technology! (pg. 8)*

- Advanced technology - the only flowmeter to combine both Digital and Analog features
- LED digital display and analog glass flow tubes
- Brightly lit display and real time flow visualization



Porter MXR-1: *Built for precision and reliability! (pg. 10)*

- The gold standard for nitrous oxide delivery systems
- Precision analog glass flow tubes
- Built for reliability and durability



Porter Digital MDM: *The smallest flowmeter faceplate in the industry! (pg. 12)*

- The perfect solution when space is limited
- Remote digital faceplate control panel for easy installation
- Multiple mounting options



Flush and Surface Mount Flowmeters

Why choose “Flush-Mount” flowmeters vs. “E-Cylinder Portable”?

- Ergonomics
- Ease of use
- Readiness for use
- Aesthetics
- Free up floor space
- Cost of use
(save >\$6 per patient on gas cost alone)
- See page 61 for cost savings example

How to get started:

- Select a flush mount flowmeter package
- Select a Bag Tee mounting option (if necessary)
- Select a Manifold (and Zone Valve if required)
- For early construction order Pre-Install Kits for ALL operatories - including future operatories

See additional flush mount installations on page 60.



Porter Midas™ Cabinet Mount Flowmeter

Package Options:

A

7465C-AV Package

- Porter Midas Flowmeter
- eAVS-5000
- Porter Breathing Circuit
- 5' O₂ and N₂O DISS-to-DISS Hoses
- Pre-Install Kit

B

7465C Package

- Porter Midas Flowmeter
- In-Line Vacuum Control
- Porter Breathing Circuit
- 5' O₂ and N₂O DISS-to-DISS Hoses
- Pre-Install Kit

Add “-S” to the end of a part number to receive the package with Silhouette in lieu of the 5155 breathing circuit.

Example: 7465C-AV-S



- Intuitive touchscreen technology
- Touch and Slide™ controls
- Compact size
- Simple installation
- Procedure data log
- eAVS scavenging technology
- Security pin feature
- Gas used / remaining feature

Touchscreen Dimensions: 9.2” W x 5.3” H x 1.5” D

Control Module Dimensions: 6.8” W x 3.86” H x 7.35” D

Weight (not including eAVS or Bag Tee): 4.95 lbs

7000C Porter Midas Flowmeter and Power Supply \$5,974

A 7465C-AV Porter Midas Flowmeter w/ eAVS Package \$8,000

Porter Midas Flowmeter w/ eAVS Vacuum Control, 5155-3 Breathing Circuit, 8005 O₂ and 8505 N₂O DISS to DISS 5ft hoses, and B-2460-KIT Pre-Install Kit

• **7465C-AV-P** Includes 5155-4 Pedo Breathing Circuit\$8,000

7465C-AV-LPI\$7,660

Porter Midas Flowmeter w/ eAVS Vacuum Control, 5155-3 Breathing Circuit, 8005 O₂ and 8505 N₂O DISS to DISS 5ft hoses, Less Pre-Install Kit

• **7465C-AV-P-LPI** Includes 5155-4 Pedo Breathing Circuit\$7,660

B 7465C Porter Midas Flowmeter w/ In-Line Vacuum Control Package \$7,000

Porter Midas Flowmeter w/ eAVS Vacuum Control, 5155-1 Breathing Circuit, 8005 O₂ and 8505 N₂O DISS to DISS 5ft hoses, and B-2460-KIT Pre-Install Kit

• **7465C-P** Includes 5155-2 Pedo Breathing Circuit.....\$7,000

7465C-LPI\$6,660

Porter Midas Flowmeter w/ In-Line Vacuum Control, 5155-1 Breathing Circuit, 8005 O₂ and 8505 N₂O DISS to DISS 5ft hoses, Less Pre-Install Kit

• **7465C-P-LPI** Includes 5155-2 Pedo Breathing Circuit.....\$6,660

C B-2460-KIT \$350

PRE-INSTALL KIT

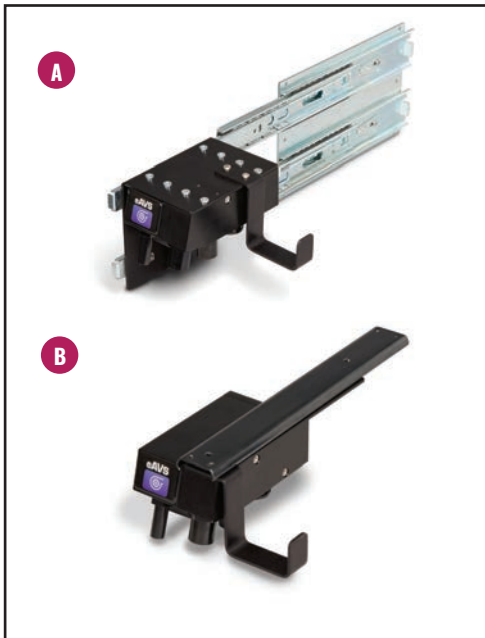
Includes oxygen and nitrous oxide DISS-piped outlet connections with check valves.

*If ordering in advance of flowmeter packages add LPI (Less Pre-Install) to future flowmeter package order – example: 4465C-LPI.

Order Pre-Install Kits to outfit future nitrous operatories.

SEE NEXT PAGE TO SELECT BAG TEE MOUNTING OPTION (NOT INCLUDED IN ABOVE PACKAGES)

Porter Midas™ Cabinet Mount Flowmeter (Continued)

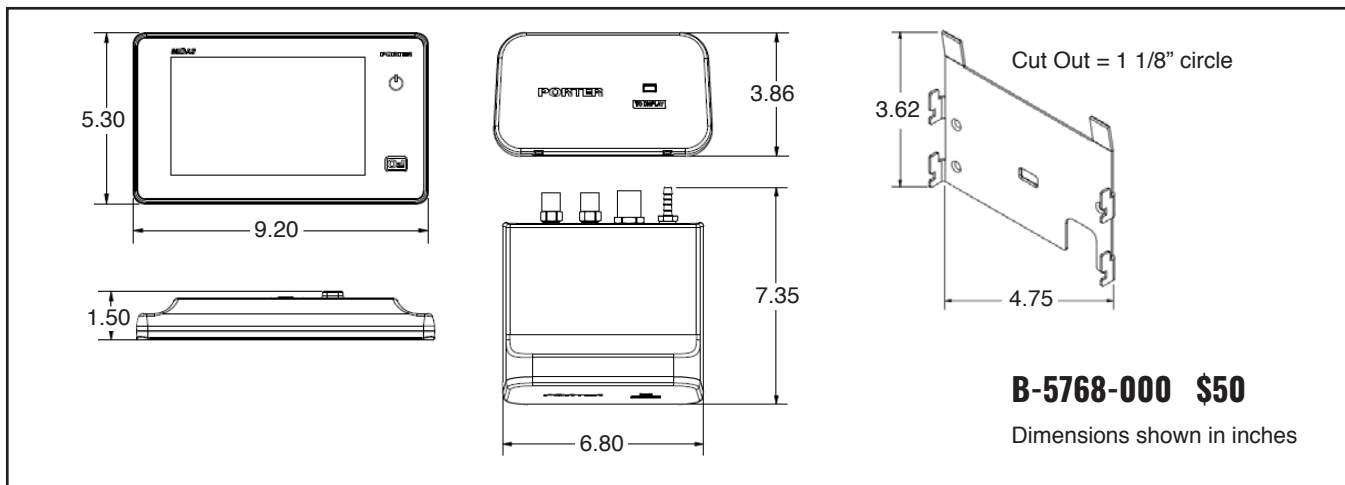


All products listed below are not part of any flowmeter “package” and must be ordered separately.

A 2036-M **\$587**
PORTER MIDAS LEFT OR RIGHT SLIDE MOUNT

B 2037-M **\$587**
PORTER MIDAS UNDER COUNTER SLIDE MOUNT

Chair Mount Kits – see page 14.



Porter MXR-D Flush Mount Flowmeter

Package Options:

A

4465C-AV Package

- MXR-D Flowmeter
- AVS-5000
- Porter Breathing Circuit
- A-1679 Bag Tee Mount
- 8' O₂ and N₂O DISS-to-DISS Hoses
- Pre-Install Kit

B

4465C Package

- MXR-D Flowmeter
- In-Line Vacuum Control
- Porter Breathing Circuit
- A-1679 Bag Tee Mount
- 8' O₂ and N₂O DISS-to-DISS Hoses
- Pre-Install Kit



Our most advanced digital flowmeter offers:

- The best of both worlds: Analog/Digital combination flowmeter
- Real time flow confirmation with glass flow tubes plus a brightly lit LED screen
- Audible and visual alarms
- Oxygen quick connect conveniently located on the faceplate

Dimensions: 12 19/32" x 4 1/4" x 4 5/16"

Cut-Out Dimensions: 11" x 3 5/8"

Weight: 8 lbs.

4065D \$5,429

PORTER MXR-D FLOWMETER ONLY (power supply not included)

MXR-D POWER SUPPLY

A-4243-000 Cabinet Mount \$421

A-4244-000 Wall Mount \$1,211



For Wall Mount installation:

B-4988 Wall Bezel.....\$174

A-4244-000 Wall Mount Power Supply – Must Be Substituted

Please contact Porter for wall installation requirements.

Add "-S" to the end of a part number to receive the package with Silhouette in lieu of the 5155 breathing circuit. Example: 4465C-AV-S

A 4465C-AV \$8,124

PORTER MXR-D WITH AUTOMATIC VACUUM SWITCH PACKAGE

Flowmeter Package includes MXR-D flowmeter, AVS-5000 Vacuum Control, 5155-3AV Breathing circuit, Pre-Install Kit, Bag Tee mount, 8' O₂ and N₂O DISS-to-DISS hoses, and power supply for cabinet installations

4465C-AV-LPI\$7,771

B 4465C \$7,610

PORTER MXR-D WITH IN-LINE VACUUM CONTROL PACKAGE

Package includes: MXR-D flowmeter, 5155-1 Breathing Circuit, Pre-Install Kit, Bag Tee mount, 8' O₂ and N₂O DISS-to-DISS hoses, and power supply for cabinet installations

4465C-LPI\$7,256

C B-2460-KIT \$350

PRE-INSTALL KIT

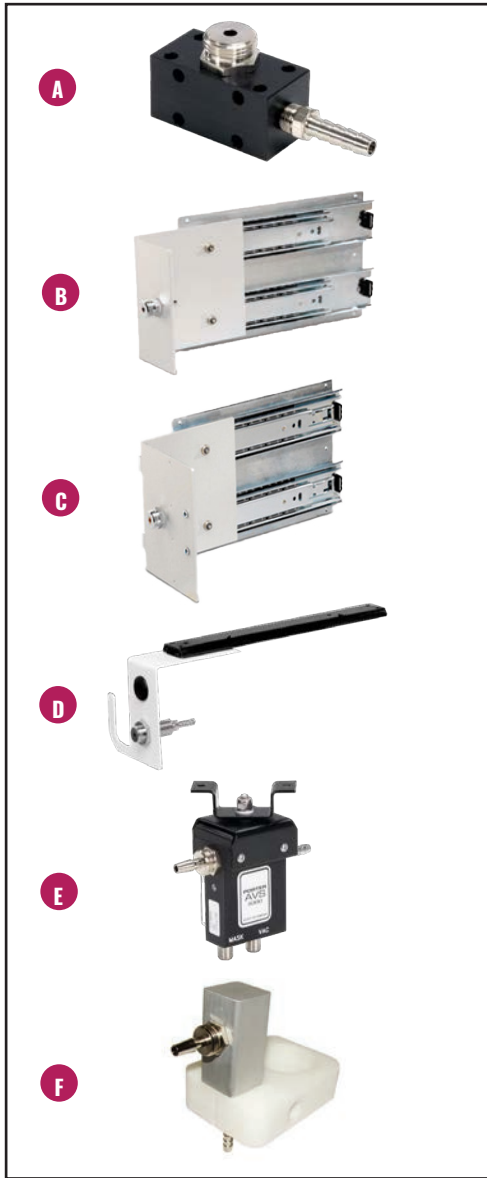
Includes oxygen and nitrous oxide DISS-piped outlet connections with check valves.

**If ordering in advance of flowmeter packages add LPI (Less Pre-Install) to future flowmeter package order – example: 4465C-LPI.*

Order Pre-Install Kits to outfit future nitrous operatories.

SEE NEXT PAGE TO SELECT BAG TEE MOUNTING OPTION (NOT INCLUDED IN ABOVE PACKAGES)

Porter MXR-D Flowmeter Bag Tee Mounts



With the exception of A-1679 (Bag Tee Mount) – all products listed below are not part of any flowmeter “package” and must be ordered separately.

A A-1679 **\$221**
BAG TEE MOUNT
 (Included with all packages)

B 2036-4 **\$587**
LEFT OR RIGHT SIDE SLIDE MOUNT
 3-1/2” wide for narrow installs

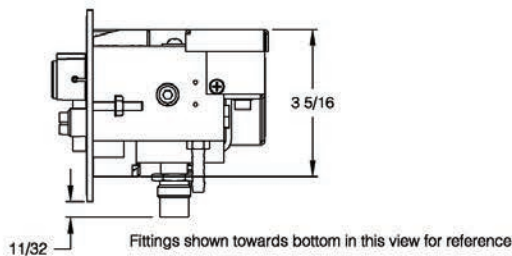
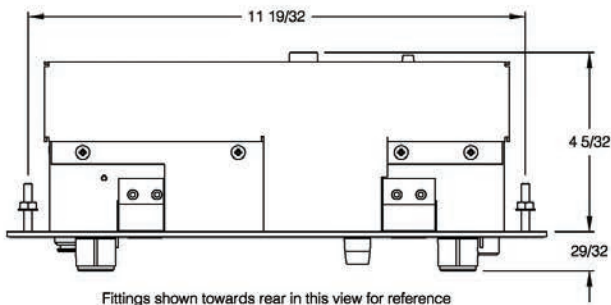
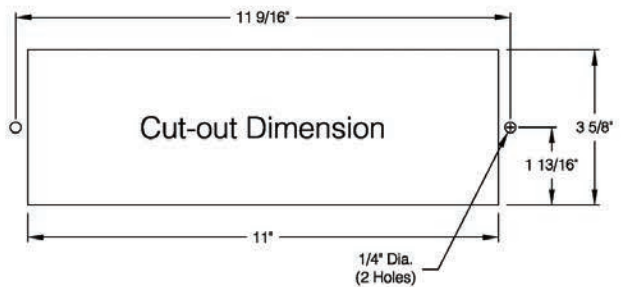
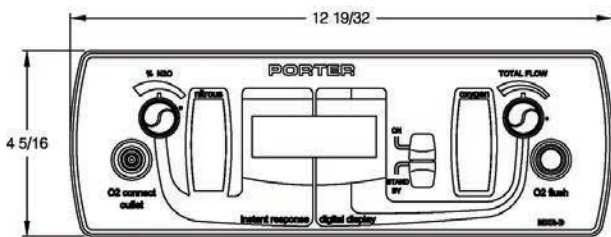
C 2036-2 **\$587**
LEFT OR RIGHT SIDE SLIDE MOUNT
 5” wide with rubber goods hook mounting option

D 2037-1 **\$590**
UNDER COUNTER SLIDE MOUNT

E AVS-5000S **\$781**
AVS UNDER COUNTER/CHAIR SWIVEL MOUNT

F 5335 **\$666**
CHAIR/LIGHT POST MOUNT (Bag Tee or AVS)

Chair Mount Kits – see page 14.



Porter MXR-1 Flush Mount Flowmeter

Package Options:

A

3465C-AV Package

- MXR-1 Flowmeter
- AVS-5000
- Porter Breathing Circuit
- A-1679 Bag Tee Mount
- 8' O₂ and N₂O DISS-to-DISS Hoses
- Pre-Install Kit

B

3465C Package

- MXR-1 Flowmeter
- In-Line Vacuum Control
- Porter Breathing Circuit
- A-1679 Bag Tee Mount
- 8' O₂ and N₂O DISS-to-DISS Hoses
- Pre-Install Kit



Our most popular analog flush mount flowmeter offers:

- The “gold standard” in nitrous oxide delivery
- Precision glass flow tubes for real time visualization & confirmation of gas flow
- Built for reliability and durability
- Oxygen quick connect conveniently located on flowmeter faceplate

Dimensions: 12 19/32” x 4 1/4” x 4 5/16”

Cut-Out Dimensions: 11” x 3 5/8”

Weight: 6.5 lbs.

3065W

\$4,607

PORTER MXR-1 FLOWMETER ONLY

A 3465C-AV

\$6,859

PORTER MXR-1 WITH AUTOMATIC VACUUM SWITCH PACKAGE

Flowmeter package includes: MXR-1 flowmeter, AVS-5000 Vacuum Control, 5155-3AV Breathing circuit, Pre-Install Kit, Bag Tee mount, 8' O₂ and N₂O DISS-to-DISS hoses

3465C-AV-LPI\$6,509

B 3465C

\$6,350

PORTER MXR-1 WITH IN-LINE VACUUM CONTROL PACKAGE

Package includes: MXR-1 flowmeter, 5155-1 Breathing circuit, Pre-Install Kit, Bag Tee mount, 8' O₂ and N₂O DISS-to-DISS hoses

3465C-LPI\$6,000

C B-2460-KIT

\$350

PRE-INSTALL KIT

Includes oxygen and nitrous oxide DISS-piped outlet connections with check valves.

**If ordering in advance of flowmeter packages add LPI (Less Pre-Install) to future flowmeter package order – example: 4465C-LPI.*

Order Pre-Install Kits to outfit future nitrous operatories.

SEE NEXT PAGE TO SELECT BAG TEE MOUNTING OPTION (NOT INCLUDED IN ABOVE PACKAGES)

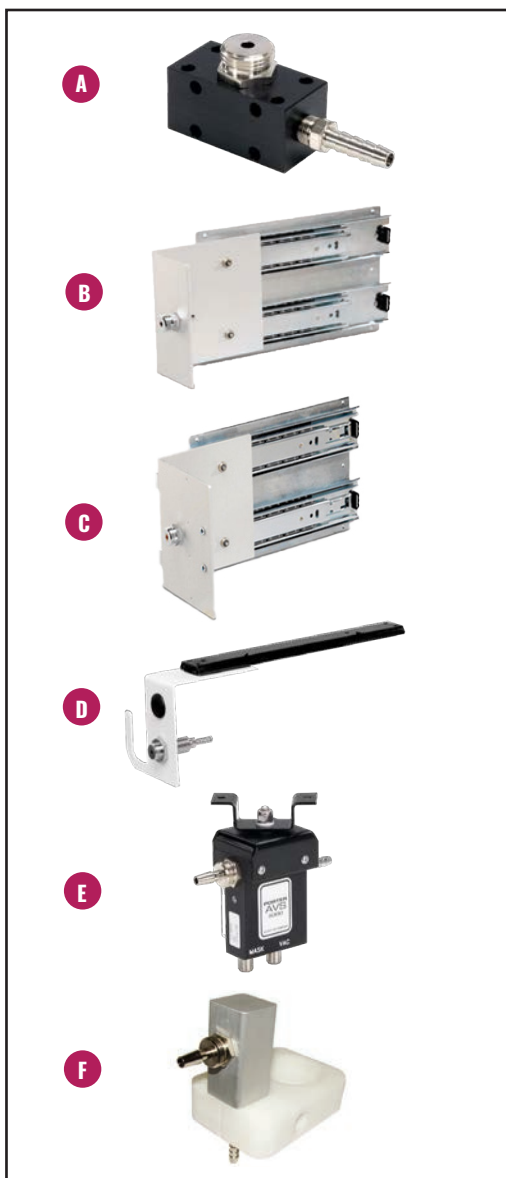


For Wall Mount installation:

B-4988 Wall Bezel.....\$174

Add “-S” to the end of a part number to receive the package with Silhouette in lieu of the 5155 breathing circuit.
Example: 3465C-AV-S

Porter MXR-1 Flowmeter Bag Tee Mounts



With exception of A-1679 (Bag Tee Mount) – all products listed below are not part of any flowmeter “package” and must be ordered separately.

A A-1679 BAG TEE MOUNT **\$221**
 (Included with all packages)

B 2036-4 LEFT OR RIGHT SIDE SLIDE MOUNT **\$587**
 3-1/2” wide for narrow installs

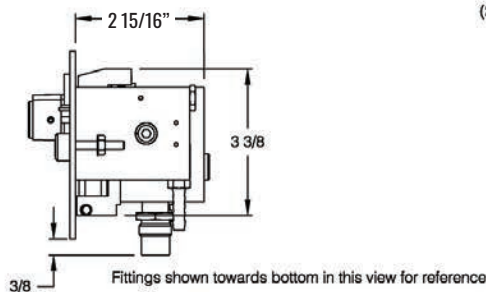
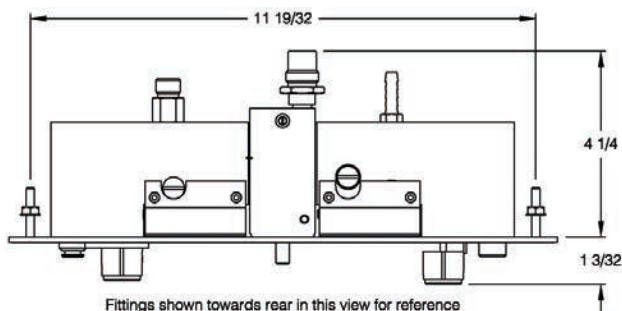
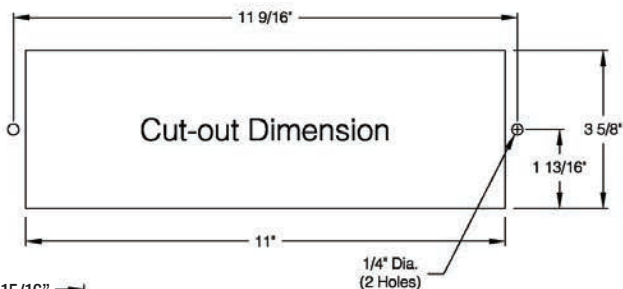
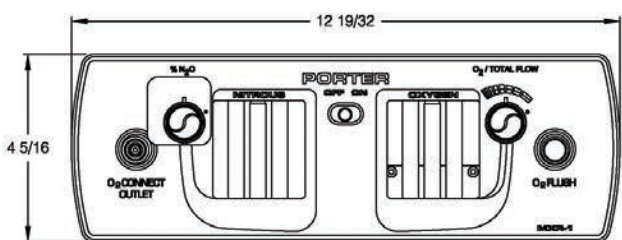
C 2036-2 LEFT OR RIGHT SIDE SLIDE MOUNT **\$587**
 5” wide with rubber goods hook mounting option

D 2037-1 UNDER COUNTER SLIDE MOUNT **\$590**

E AVS-5000S **\$781**
 AVS UNDER COUNTER / CHAIR SWIVEL MOUNT

F 5335 **\$666**
 CHAIR/LIGHT POST MOUNT (Bag Tee or AVS)

Chair Mount Kits – see page 14.



Porter Digital MDM Flush Mount Flowmeter

Package Options:

A

6465C-AV Package

- Digital MDM Flowmeter
- AVS-5000
- Porter Breathing Circuit
- A-1679 Bag Tee Mount
- 5' O₂ and N₂O DISS-to-DISS Hoses
- Pre-Install Kit

B

6465C Package

- Digital MDM Flowmeter
- In-Line Vacuum Control
- Porter Breathing Circuit
- A-1679 Bag Tee Mount
- 5' O₂ and N₂O DISS-to-DISS Hoses
- Pre-Install Kit

Order Pre-Install Kits to outfit future nitrous operatories.

SEE NEXT PAGE TO SELECT BAG TEE MOUNTING OPTION (NOT INCLUDED IN ABOVE PACKAGES)

Add "-S" to the end of a part number to receive the package with Silhouette in lieu of the 5155 breathing circuit.
Example: 6465C-AV-S



The smallest flush mount flowmeter in the industry!

- Measures only 8" by 3"!
- Simple to install with multiple options including Mounting Kit for Flush, Surface, Wall, or Under Counter/Hutch
- Brightly lit digital display and digital flowtubes
- Audible alarms

Faceplate Dimensions: 7 7/8" x 2 3/4" x 1 1/4"

Control Module Dimensions: 8" x 3" x 5 5/8"

Cut-Out Dimensions: 8" x 3" or 2" Circle (Surface Mount)

Weight: 4.5 lbs

40152601 PORTER DIGITAL MDM FLOWMETER ONLY \$4,938
(Does not include bag tee or power supply)

20150000 DIGITAL MDM POWER CORD ONLY \$117

A 6465C-AV \$7,158

PORTER DIGITAL MDM

W/ AUTOMATIC VACUUM SWITCH PACKAGE

Package includes: Porter Digital MDM flowmeter, 5155-3AV Breathing Circuit w/ AVS-5000 vacuum control, Pre-Install Kit, Bag Tee mount, 5' O₂ and N₂O DISS-to-DISS hoses, and power supply

6465C-AV-LPI\$6,805

6465C-AV-P\$7,158

6465C-AV-P-LPI.....\$6,805

Same package as "A" – but substitutes Porter Pedo Breathing Circuit

B 6465C \$6,641

PORTER DIGITAL MDM W/ IN-LINE VACUUM CONTROL

Package includes: Porter Digital MDM flowmeter, 5155-1 Breathing Circuit, Bag Tee mount, 5' O₂ and N₂O DISS-to-DISS hoses, and power supply

6465C-LPI\$6,288

6465C-P\$6,641

6465C-P-LPI\$6,288

Same package as "B" – but substitutes Porter Pedo Breathing Circuit

C B-2460-KIT PRE-INSTALL KIT \$350

Includes oxygen and nitrous oxide DISS-piped outlet connections with check valves.

**If ordering in advance of flowmeter packages add LPI (Less Pre-Install) to future flowmeter package order – example: 6465C-AV-LPI.*

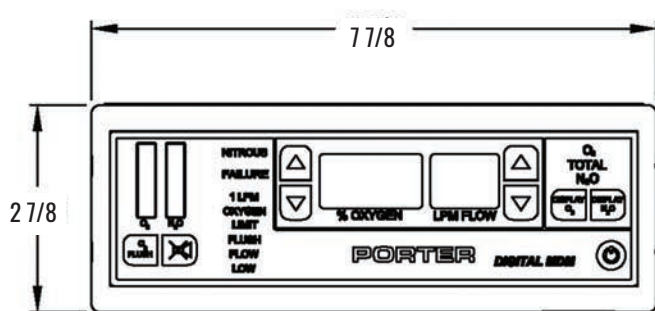
Porter Digital MDM Flowmeter Bag Tee Mounts



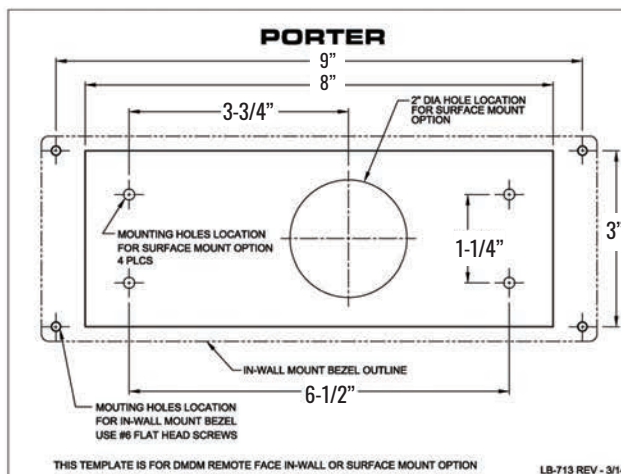
With exception of A-1679 (Bag Tee Mount) – all products listed below are not part of any flowmeter “package” and must be ordered separately.

- A A-1679 BAG TEE MOUNT** **\$221**
(Included with all packages)
- B 2036-4 LEFT OR RIGHT SIDE SLIDE MOUNT** **\$587**
3-1/2” wide for narrow installs
- C 2036-2 LEFT OR RIGHT SIDE SLIDE MOUNT** **\$587**
5” wide with rubber goods hook mounting option
- D 2037-1 UNDER COUNTER SLIDE MOUNT** **\$590**
- E AVS-5000S** **\$781**
AVS UNDER COUNTER / CHAIR SWIVEL MOUNT
- F 5335** **\$666**
CHAIR/LIGHT POST MOUNT (Bag Tee or AVS)
- G B-5555-002 PORTER DIGITAL MDM Z BRACKET** **\$68**
For under counter control module mounting
- H B-5555-000 FACEPLATE MOUNTING KIT** **\$68**
- I B-5555-001 UNDER COUNTER FACEPLATE MOUNTING KIT** **\$68**

Chair Mount Kits – see page 14.

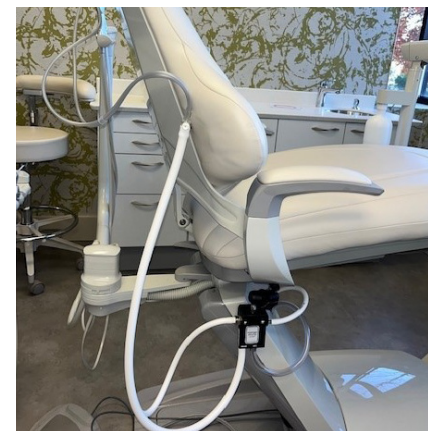


1 1/4” D (without data cable)



Porter Chair Mount Options

MOUNT MIXED GAS AND VACUUM LINE CONNECTIONS TO YOUR CHAIR



| Chair Mount Kit Part Numbers | | Porter Midas Chair Mount Kits | |
|---|-------|---|-------|
| CMK-A-300-400 | \$995 | CMK-A-300-400-M | \$400 |
| Adec 300/400 | | ADEC 300/400 | |
| CMK-A-500 | \$995 | CMK-A-500-M | \$400 |
| Adec 511 Series | | ADEC 500 | |
| CMK-D-5000 | \$995 | CMK-D-5000-M | \$400 |
| DCI Series 4 and 5 | | DCI 5000 | |
| CMK-Royal-A | \$995 | CMK-F-3800-M | \$400 |
| Royal Alliant | | FOREST 3800 | |
| CMK-Royal | \$995 | CMK-F-3900-M | \$400 |
| Royal Signet, R16, PD2, GP2 and RS1 | | FOREST 3900 | |
| CMK-F-3800 | \$995 | CMK-F-6400-M | \$400 |
| Forest 3800 | | FOREST 6400 | |
| CMK-F-3900 | \$995 | CMK-ROYAL-M | \$400 |
| Forest 3900 | | ROYAL 2210, R16, GP2 | |
| CMK-F-6400 | \$995 | CMK-ROYAL-A-M | \$400 |
| Forest 6400 | | ROYAL ALLIANT | |
| *When ordering flush mount package, order without AVS. | | *Order Porter Midas flowmeter package WITH eAVS. | |

2025 (this is the part number) Chair Mount Kit Basic (Bag Tee in Cab)
See page 59 for more information.

\$399

Upright Flowmeters

It's easy to get started with an upright nitrous oxide system:

- Select Flowmeter package with mounting option
- For “Centrally plumbed” offices:
 - Select Manifold (and Zone Valve, if required) – see pages 34-35
 - Add Outlets and Hoses – see pages 38-40
 - Select additional Nasal Hoods / Silhouette – see pages 42-50



Porter Midas™ Digital Touchscreen Flowmeter:
(page 16)
Intuitive touchscreen technology at your fingertip



Porter MXR Flowmeter (page 18):
The gold standard for nitrous delivery



Sentry Sedate (page 20):
Portable, enclosed 4-cylinder lockable system



Matrx MDM Flowmeter (page 22)
The only analog flowmeter with auto-compensation



Standard Flowmeter (pg 23)



Oral Surgery Flowmeters & Accessories (pg 27)

Porter Midas™ Flowmeter

Package Options:



C
2045-3
Tall E-Stand



D
2020
Telescoping
Wall Arm



E
2040
Compact Mobile
Stand

Add “-S” to the end of a part number to receive the package with Silhouette in lieu of the 5155 breathing circuit.
Example: 7400-AV-S



- Digital touchscreen technology
- Touch and Slide™ for flow and gas percentage control
- Audible notifications
- Procedure data log feature
- Gas used and remaining feature
- iPad remote control through Midas app
- Nitrous pin for added security

Dimensions: 9.2” W x 8.06” H x 8.7” D
Weight w/o eAVS: 6.15 lbs
Weight w/ eAVS: 7.75 lbs

A 7000 **\$5,400**
Porter Midas Flowmeter, Bag Tee and Power

B.1 7400-AV **\$6,750**
Porter Midas with eAVS Package

Includes Midas, eAVS Vacuum Control, and 5155-3 Breathing Circuit

B.2 7400 **\$5,750**

Porter Midas with In-Line Vacuum Control Package

Includes Midas, In-Line Vacuum Control, and 5155-1 Breathing Circuit

C.1 7445-2AV **\$9,500**

Porter Midas Tall E-Stand Package w/ eAVS

Includes Midas, eAVS Vacuum Control, 5155-3 Breathing Circuit, and 2045-3 Tall E-Stand

C.2 7445-2 **\$8,500**

Porter Midas Tall E-Stand Package

Includes Midas, In-Line Vacuum Control, 5155-1 Breathing Circuit, and 2045-3 Tall E-Stand

Porter Midas Flowmeter (Continued)

| | |
|---|----------------|
| D.1 7420-AV | \$7,200 |
| <p>Porter Midas Telescoping Wall Arm Package w/ eAVS Includes Midas, eAVS Vacuum Control, 5155-3 Breathing Circuit, and 2020 Telescoping Wall Arm</p> | |
| D.2 7420 | \$6,200 |
| <p>Porter Midas Compact Mobile Stand Package Includes Midas, In-Line Vacuum Control, 5155-1 Breathing Circuit, and 2040 Compact Mobile Stand</p> | |
| E.1 7440-AV | \$7,250 |
| <p>Porter Midas Compact Mobile Stand Package w/ eAVS Includes Midas, eAVS Vacuum Control, 5155-3 Breathing Circuit, and 2040 Compact Mobile Stand</p> | |
| E.2 7440 | \$6,250 |
| <p>Porter Midas Compact Mobile Stand Package Includes Midas, In-Line Vacuum Control, 5155-1 Breathing Circuit, and 2040 Compact Mobile Stand</p> | |



7445-2AV



7440-AV



7420-AV

Porter MXR Flowmeter

Package Options:



C
2045-3
Tall E-Stand



D
2045-SHORT3
Short E-Stand



E
2020
Telescoping Wall Arm



F
2035-1
Under Counter Slide Mount



G
2036-3
Cabinet Slide Mount



H
2040
Compact Mobile Stand

Add “-S” to the end of a part number to receive the package with Silhouette in lieu of the 5155 breathing circuit.
Example: 3400AV-S



The gold standard in nitrous oxide delivery

- Precision glass flow tubes for real-time visualization and confirmation of gas flow
- Built for reliability and durability
- Ergonomic flow and percentage control valves
- Emergency oxygen quick connect conveniently located on the side of the MXR

Dimensions: 5” x 8 1/2” x 5 1/2”
Weight: 6 lbs

A 3000 **\$3,713**
Porter MXR Flowmeter and Bag Tee Only*

B.1 3400AV **\$4,828**
Porter MXR with AVS Package*

Includes MXR, AVS 5000 Vacuum Control, and 5155-3 Breathing Circuit

B.2 3400 **\$4,318**
Porter MXR with In-Line Vacuum Control Package*
Includes MXR, In-Line Vacuum Control, and 5155-1 Breathing Circuit

C.1 3445-2AV **\$8,234**
Porter MXR Tall E-Stand Package w/ AVS
Includes MXR, AVS 5000 Vacuum Control, 5155-3 Breathing Circuit, and Tall E-Stand (telescopes from 32 3/16” to 40 13/32” not including flowmeter).

C.2 3445-2 **\$7,727**
Porter MXR Tall E-Stand Package
Includes MXR, In-Line Vacuum Control, 5155-1 Breathing Circuit, and Tall E-Stand (telescopes from 32 3/16” to 40 13/32” not including flowmeter).

D.1 3445-SAV **\$8,234**
Porter MXR Short E-Stand Package w/ AVS
Includes MXR, AVS 5000 Vacuum Control, 5155-3 Breathing Circuit, and Short E-Stand (30 1/2” at lowest position)

D.2 3445-S **\$7,727**
Porter MXR Short E-Stand Package
Includes MXR, In-Line Vacuum Control, 5155-1 Breathing Circuit, and Short E-Stand (30 1/2” at lowest position)

Porter MXR Flowmeter (Continued)

| | | |
|---------------------|--|----------------|
| E.1 3420AV | Porter MXR Telescoping Wall Arm Package w/ AVS* | \$5,392 |
| | Includes MXR, AVS 5000 Vacuum Control, 5155-3 Breathing Circuit, and Telescoping Wall Arm | |
| E.2 3420 | Porter MXR Telescoping Wall Arm Package* | \$4,883 |
| | Includes MXR, In-Line Vacuum Control, 5155-1 Breathing Circuit, and Telescoping Wall Arm | |
| F.1 3435-1AV | Porter MXR Under Counter Slide Package w/ AVS* | \$5,329 |
| | Includes MXR, AVS 5000 Vacuum Control, 5155-3 Breathing Circuit, and Under Counter Slide Mount | |
| F.2 3435-1 | Porter MXR Under Counter Slide Package* | \$4,817 |
| | Includes MXR, In-Line Vacuum Control, 5155-1 Breathing Circuit, and Under Counter Slide Mount | |
| G.1 3436AV | Porter MXR Cabinet Slide Mount Package w/ AVS* | \$5,401 |
| | Includes MXR, AVS 5000 Vacuum Control, 5155-3 Breathing Circuit, and Cabinet Slide Mount | |
| G.2 3436 | Porter MXR Cabinet Slide Mount Package* | \$4,893 |
| | Includes MXR, In-Line Vacuum Control, 5155-1 Breathing Circuit, and Cabinet Slide Mount | |
| H.1 3440AV | Porter MXR Compact Mobile Stand Package w/ AVS* | \$5,436 |
| | Includes MXR, AVS 5000 Vacuum Control, 5155-3 Breathing Circuit, and Compact Mobile Stand | |
| H.2 3440 | Porter MXR Compact Mobile Stand Package* | \$4,925 |
| | Includes MXR, In-Line Vacuum Control, 5155-1 Breathing Circuit, and Compact Mobile Stand | |

*Additional items may be required: Manifold, Outlet Stations, and Hoses.

Porter Sentry Sedate

PORTABLE ENCLOSED 4 CYLINDER NITROUS OXIDE AND OXYGEN SYSTEM



Porter MXR-D Digital / Analog Flowmeter



Porter MXR-1 Analog Flowmeter

MODELS

- 34 and 44 include 5155-1 Breathing Circuit
- 34AV and 44AV include 5155-3 Breathing Circuit

| | | |
|--------------------|-----------------------------------|-----------------|
| SENTRY-34 | MXR-1 Sentry Sedate | \$10,058 |
| SENTRY-34AV | MXR-1 Sentry Sedate w/ AVS | \$10,675 |
| SENTRY-44 | MXR-D Sentry Sedate | \$10,557 |
| SENTRY-44AV | MXR-D Sentry Sedate w/ AVS | \$11,188 |

Replacement keys, see page 49 for part numbers.

DIMENSIONS & WEIGHT

Height - 33"
 Depth - 24"
 Width - 18"
 Weight - 96 lbs
 (add 2 lbs for Porter Digital MXR) -
 does not include cylinders

The Porter Sentry Sedate features portability and security with:

- Dual Locking Doors
- Holds 2 Oxygen and 2 Nitrous Oxide "E" Cylinders (not included)
- Internal and External Storage
- Working Surface
- Durable Locking Wheels
- Emergency Oxygen Quick Connect

Add "-S" to the end of a part number to receive the package with Silhouette in lieu of the 5155 breathing circuit.
 Example: SENTRY-34AV-S

Porter Sentry Sedate (Continued)

FEATURES FOR PORTABILITY, SECURITY AND CONVENIENCE

The sturdy cabinet design features both internal and external storage.

Sentry Sedate holds two nitrous oxide cylinders and two oxygen cylinders.

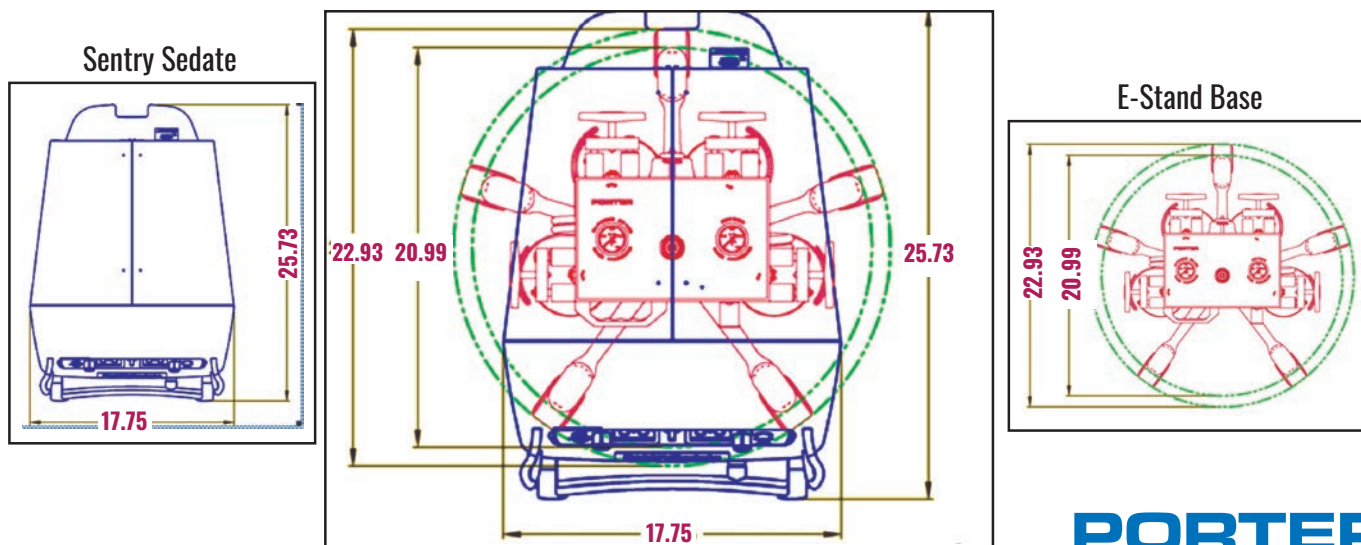
A side hook conveniently holds the breathing circuit and hoses.

Large locking wheels allow the unit to be easily moved from room to room.

The dual locks ensure safe, secure cylinder storage.

Sentry Sedate and E-Stand Footprint Comparison

SENTRY SEDATE IS 3" NARROWER AND ONLY 3" LONGER THAN AN E-STAND WHEEL BASE!



PORTER

Matrix MDM Flowmeter

Package Options:



C
2045-3
Tall E-Stand



D
2020
Telescoping
Wall Arm



E
2040
Compact Mobile
Stand



F
2042
Tall Mobile Stand

- Large precision glass flow tubes for real-time visualization and confirmation of gas flow
- Only analog flowmeter with “Auto-Compensation” feature
Flow stays consistent as percentage is adjusted
- Flow control knob and percentage adjustment dial

Dimensions: 5” x 13 3/4” x 5 3/4”
Weight: 6.5 lbs



A 94500150 **\$4,042**
Matrix MDM Flowmeter and Bag Tee Only *

B 20050 **\$4,783**
Matrix MDM with Vacuum Control Valve Package *
Includes MDM, Vacuum Control Valve, and Matrix Breathing Circuit

C 24450 **\$8,277**

Matrix MDM Tall E-Stand Package
Includes MDM, Vacuum Control Valve, Matrix Breathing Circuit, and Tall E-Stand

D 28050 **\$5,094**

Matrix MDM Telescoping Wall Arm Package *
Includes MDM, Vacuum Control Valve, Top-Mount Adapter, Matrix Breathing Circuit and Telescoping Wall Arm

E 23050 **\$5,136**

Matrix MDM Compact Mobile Stand Package *
Includes MDM, Vacuum Control Valve, Matrix Breathing Circuit, and Compact Mobile Stand

F 24050 **\$5,186**

Matrix MDM Tall Mobile Stand Package *
Includes MDM, Vacuum Control Valve, Matrix Breathing Circuit, and Tall Mobile Stand

Porter STANDARD Flowmeter

Package Options:



C
2045-3
Tall E-Stand



D
2020
Telescoping Wall Arm



E
2035-1
Under Counter Slide Mount



F
2036-3
Cabinet Slide Mount



G
2040
Compact Mobile Stand

- Precision glass flow tubes for real-time visualization and confirmation of gas flow
- Built for reliability and durability
- Separate oxygen and nitrous oxide control valves
- Automatically pilots to 3 lpm of oxygen when turned on
- Oxygen quick connect conveniently located on the side of the STANDARD

Dimensions: 5" x 8 1/2" x 5 1/2"
Weight: 6 lbs.

A 1100 \$3,157
Porter STANDARD Flowmeter and Bag Tee Only*

B 1400 \$4,142
Porter STANDARD with In-Line Vacuum Control Package*

Includes STANDARD, In-Line Vacuum Control, and 5155-1 Breathing Circuit

C 1445-2 \$7,184

Porter STANDARD Tall E-Stand Package

Includes STANDARD, In-Line Vacuum Control, 5155-1 Breathing Circuit, and Tall E-Stand



D 1420 \$4,423
Includes STANDARD, In-Line Vacuum Control, 5155-1 Breathing Circuit, and Telescoping Wall Arm

E 1435-1 \$4,514
Porter STANDARD Under Counter Slide Package*
Includes STANDARD, In-Line Vacuum Control, 5155-1 Breathing Circuit, and Under Counter Slide Mount

F 1436 \$4,631
Porter STANDARD Cabinet Slide Mount Package*
Includes STANDARD, In-Line Vacuum Control, 5155-1 Breathing Circuit, and Cabinet Slide Mount

G 1440 \$4,562
Porter STANDARD Compact Mobile Stand Package*
Includes STANDARD, In-Line Vacuum Control, 5155-1 Breathing Circuit, and Compact Mobile Stand

*Additional items may be required: Manifold, Outlet Stations, and Hoses.

Porter Upright Flowmeter Mount Options



| | | |
|--------------------|---|--------------|
| 2020 | Porter and Matrux Telescoping Wall Arm Extends to 18" | \$570 |
| PA-1734-000 | Porter Mounting Stud | \$92 |
| 2023 | Porter MXR Non Telescoping Wall Mount | \$263 |
| 2035-1 | Porter MXR Under Cabinet Slide Mount Extends 5" | \$587 |
| 2036-3 | Porter MXR Side Cabinet Mount Extends 9" | \$587 |
| 5335 | Remote Bag Tee Post Mount | \$666 |

Matrux Upright Flowmeter Mount Options



| | | |
|-------------------|---|--------------|
| 2020 | Porter and Matrux Telescoping Wall Arm Extends to 18" | \$570 |
| 92505044 | Matrux MDM Top Mount Bracket and Stud | \$264 |
| 91505093 | Matrux MDM/DMDM Bottom Mount Stud w/Nut | \$97 |
| 92505045 | Matrux MDM/DMDM Bottom Mount Stud | \$98 |
| 92505088 | Porter MXR Adapter For Matrux Wall Mount | \$98 |
| A-4492-000 | 2020 Wall Arm Extension | \$186 |

Porter and Matrix Mobile Cart Options



- 2045-3** Tall E Stand - 33" to 41" **\$3,830**
- 2045-SHORT3** Short E Stand - 30.5" to 40.5" **\$3,830**
For Porter Flowmeters Only
- 2040** Porter or Matrix Compact Mobile Stand **\$582**
- Extends 19.5" to 27.5"
- 2042** Porter or Matrix Tall Mobile Stand **\$604**
- Extends 33" to 41"
- HANDLE-1** Post Handle for all Mobile Carts and E-Stands **\$179**

**Dimensions do not include flowmeter*

**Wheel Base Dimensions For All Carts: 22 15/16"*



See page 50 for a complete list of spare parts.

Porter MXR Mounting Examples



Porter MXR w/ Tall E-Stand



**Porter MXR w/ Short E-Stand
(cylinders not included)**



Porter MXR w/ Telescoping Wall Arm



Porter MXR w/ Cabinet Slide



Porter MXR w/ Compact Mobile Cart



Porter MXR w/ Cabinet Slide

Porter Midas™ Digital Touchscreen Oral Surgery Packages



- A.1 7400-OS** Flowmeter with Directional Y Valve Package, 5155-1 Breathing Circuit with In-Line Vacuum Control **\$7,200**
- A.2 7400-AV-OS** Flowmeter with Directional Y Valve Package, 5155-3 Breathing Circuit and eAVS **\$8,200**
- B.1 7444-OS** Flowmeter with Directional Y Valve Package, Tall Mobile Cart, 5155-1 Breathing Circuit w/ In-Line Vacuum Control **\$7,700**
- B.2 7444-AV-OS** Flowmeter with Directional Y Valve Package, Tall Mobile Cart, 5155-3 Breathing Circuit and eAVS **\$8,800**
- C.1 7420-OS** Flowmeter with Directional Y Valve Package, Telescoping Wall Arm, 5155-1 Breathing Circuit with In-Line Vacuum Control **\$7,650**
- C.2 7420-AV-OS** Flowmeter with Directional Y Valve Package, Telescoping Wall Arm, 5155-3 Breathing Circuit and eAVS **\$8,650**
- D.1 7445-2-OS** Flowmeter with Directional Y Valve Package, Tall E-Stand, 5155-1 Breathing Circuit with In-Line Vacuum Control **\$9,950**
- D.2 7445-2AV-OS** Flowmeter with Directional Y Valve Package, Tall E-Stand, 5155-3 Breathing Circuit and eAVS **\$10,950**

Package Options:



B 2042
Tall Mobile Cart



C 2020
Telescoping Wall Arm



D 2045-3
Tall E-Stand

| | | |
|-----------------|---|----------------|
| 91525191 | | \$1,346 |
| | Directional “Y” Valve Package <i>(included with all packages listed above)</i> | |
| | Includes: Directional “Y” Valve, Non-Rebreathing Valve, Universal Female Adapter, Corrugated Tube, and Adult and Pado Full Facemask | |
| 94525192 | Directional “Y” Valve | \$785 |
| 1597 | Non-Rebreathing Valve | \$809 |
| 93316426 | Pado Full Facemask | \$121 |
| 93316427 | Adult Full Facemask | \$121 |
| 5060-6 | Corrugated Autoclavable Tube | \$119 |

For “Centrally Plumbed” offices, order Manifold, Outlets, and Hoses.

Porter Oral Surgery Flowmeter and Accessories

C



2042 Tall Mobile Cart
(Also sold separately.
See p. 27)

D



**2200-OS Oral Surgery
Accessory Package**



- The only flowmeter with “High Flow” capabilities
- Precision Porter glass flow tubes
- Ergonomic flow and percentage control valves
- Directional “Y” valve accessory package with adult facemask
- Oxygen quick connect conveniently located on side of flowmeter
- Optional breathing circuit hook sold separately, see p. 30, item E

Dimensions: 5” x 8.5” x 5.5” (without Directional “Y” Valve)
Weight: 6lbs

A 3000-OS **\$3,922**

Porter Oral Surgery Flowmeter and Bag Tee (Threaded) Only

B 3400-OS **\$4,535**

Porter Oral Surgery Flowmeter

Includes OS Flowmeter, 5155-1 Breathing Circuit with In-Line Vacuum Control, and Threaded Bag Tee
(2200-OS Accessory Package not included)

C 3444-OS **\$6,486**

Porter Oral Surgery Tall Mobile Cart Package

Includes 3400-OS Package, Tall Mobile Cart, and 2200-OS

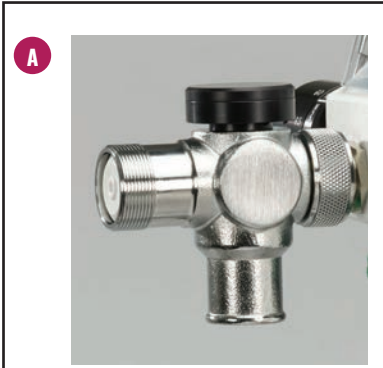
D 2200-OS **\$1,346**

Porter Oral Surgery Accessory Package

Only for use with Porter flowmeters and Threaded Bag Tee (P2407A).
Includes Directional “Y” Valve, Non-rebreathing Valve, Adult Full Facemask, and Corrugated Tubing.

Note: Optional Breathing Circuit Hook available, see p. 27, item E.

Porter Oral Surgery Accessories



A P2407A **\$419**
Porter Oral Surgery Threaded Bag Tee



B 2210K **\$857**
Porter Directional "Y" Valve
 Only for use on Porter Oral Surgery, MXR, or STANDARD flowmeters.
 Must have P2407A to attach. (For Matrix - see next page)



C 1597 **\$809**
Non-Rebreathing Valve



D 93316427 **\$121**
Adult Full Facemask

E 93316426 **\$121**
Pediatric Full Facemask

5060-6 **\$119**
Corrugated Autoclavable Tubing – 6 ft (smooth bore style)



F B-5129-000 **\$149**
Breathing Circuit Hook
 Only for use with Porter Oral Surgery, MXR, or STANDARD flowmeters (post mount) (Not included with 2200-OS)

G 5054-CAP-KIT **\$134**
Nasal Mask Capnography Kit
 Includes Hole Punch and 25 Luer Locks

H 5054LUERLOCK **\$37**
Disposable Luer Locks (25)



Optional add-on to oral surgery package

Mask not included.

Matrx MDM and Digital MDM Oral Surgery Packages



A Flowmeter with Directional Y Valve Package

| | | |
|--------------|----------------|---------|
| 50007 | MDM Flowmeter | \$5,136 |
| 40007 | DMDM Flowmeter | \$5,717 |

B Flowmeter with Directional Y Valve Package, Breathing Circuit and Scavenger Control

| | | |
|--------------|----------------|---------|
| 20057 | MDM Flowmeter | \$5,811 |
| 10067 | DMDM Flowmeter | \$6,425 |

C Flowmeter with Directional Y Valve Package, Breathing Circuit with Scavenger Control, and Tall Mobile Cart

| | | |
|--------------|----------------|---------|
| 24057 | MDM Flowmeter | \$6,294 |
| 14067 | DMDM Flowmeter | \$6,762 |

D Flowmeter with Directional Y Valve Package, Breathing Circuit, Scavenger Control, and Telescoping Wall Arm

| | | |
|--------------|----------------|---------|
| 28057 | MDM Flowmeter | \$6,199 |
| 18067 | DMDM Flowmeter | \$6,934 |

E Flowmeter with Directional Y Valve Package, Breathing Circuit, Scavenger Control, and Tall E-Stand

| | | |
|--------------|----------------|----------|
| 24457 | MDM Flowmeter | \$9,398 |
| 14467 | DMDM Flowmeter | \$10,298 |

Package Options:



G 2042
Tall Mobile Cart



D 2020
Telescoping Wall Arm



E 2045-3
Tall E-Stand

Easily adapt any Matrx flowmeter (MDM, D-MDM, RA) with the Matrx Oral Surgery Accessory Package.

91525191 **\$1,346**

Matrx Directional "Y" Valve Package

Includes: Directional "Y" Valve, Non-Rebreathing Valve, Universal Female Adapter, Corrugated Tube, and Adult and Pedo Full Facemask

| | | |
|-----------------|------------------------------|--------------|
| 94525192 | Matrx Directional "Y" Valve | \$785 |
| 1597 | Non-Rebreathing Valve | \$809 |
| 93316426 | Pedo Full Facemask | \$121 |
| 93316427 | Adult Full Facemask | \$121 |
| 5060-6 | Corrugated Autoclavable Tube | \$119 |

For "Centrally Plumbed" offices, order Manifold, Outlets, and Hoses.

Surgical Suction and Recovery Room



77008037 **\$1,744**
Surgical Suction Recovery Room Package
 (Includes items A-F)

77008037-LPI **\$1,250**
**Surgical Suction Recovery Room Package –
 Less DISS Vacuum Outlet** (Includes all other items in the regular package)
Compatible with vacuum regulator-DISS

Package Includes:

A **77008038**
Vacuum Regulator – DISS

B **91309169**
Matrx Vacuum Outlet – DISS

C **91120152**
1200cc Disposable Canisters

D **77000192**
Conductive Tubing – 6 ft.

E **77000689**
Vacuum Slide and Ring

F **65965600**
Replacement Elbow

A **77008038** **\$1000**
Vacuum Regulator – DISS
Compatible with vacuum outlet - DISS

65944300-OM **\$1000**
Vacuum Regulator - Ohio/Matrx

B **91309169** **\$524**
Vacuum Outlet – DISS

C **91120152** **\$117**
1200cc Disposable Canisters (5)

D **77000192** **\$71**
Conductive Tubing – 6 ft., 1/4" ID

E **77000689** **\$55**
Canister Mounting Bracket

F **65965600** **\$4**
Replacement Elbow

Other Vacuum Outlets:

5600-3 **\$447**
Porter Vacuum Outlet



91309148 **\$485**
Matrx Vacuum Outlet



(Additional outlets and hoses, see pages 36-39)

Oxygen Therapy and Emergency Oxygen



A-4543-000

Oxygen Therapy Flowmeters (0-15 LPM)

A-4543-000 Oxygen Flowmeter – Porter Quick Connect \$271

91350404 Oxygen Flowmeter – Matrix Quick Connect (Male QC) \$278

91350408 Oxygen Flowmeter – DISS Connect (Female) \$278



C-1782

C-1782 O₂ Flowmeter Wall Mount Kit (includes O₂ Flowmeter and Mount) \$342

B-5808 O₂ Flowmeter Wall Mount – Mount Only \$108

Other Items:

A-1675 O₂ DISS (Male) to Porter O₂ Quick Connect \$140

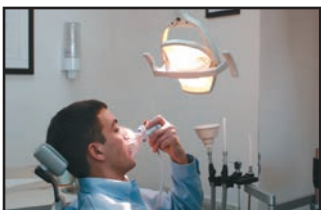
65918900 Barbed Adapter – DISS (Female) to Hose Barb \$5

91318129 Quick Connect Adapter \$121

1/8" NPT x Matrix Male Quick Connect

PA-1362-000 O₂ Flowmeter 90° Adapter \$57

B-5761-000 O₂ Adapter – MDM \$96



Emergency Oxygen



1506-1

1536-1 Positive Pressure Demand Valve System \$1,656

Includes: Demand Valve with Adult Full Facemask, 6 ft. Hose, E-Cylinder Cart, and Regulator with Yoke (Porter Connection) Cylinder not included.

1538 E-Cylinder Cart \$238

1506-1 Positive Pressure Demand Valve – Porter QC \$960

1506-1M Positive Pressure Demand Valve – Matrix QC \$960

1506-1D Positive Pressure Demand Valve – DISS \$960

93316427 Adult Full Face Mask \$121

93316426 Pediatric Full Face Mask \$121

1566-1 Regulator and Yoke w/ Porter Connection \$646

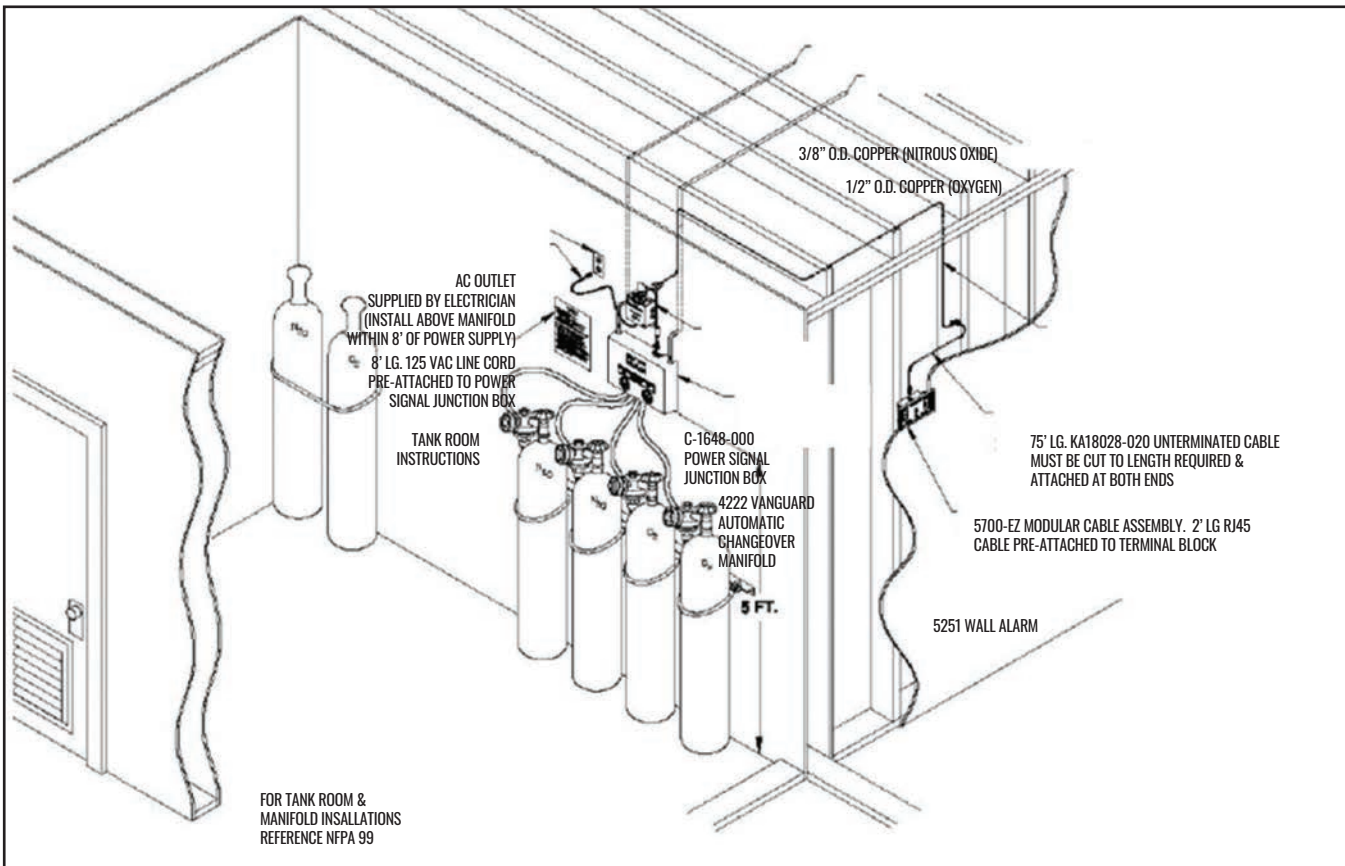
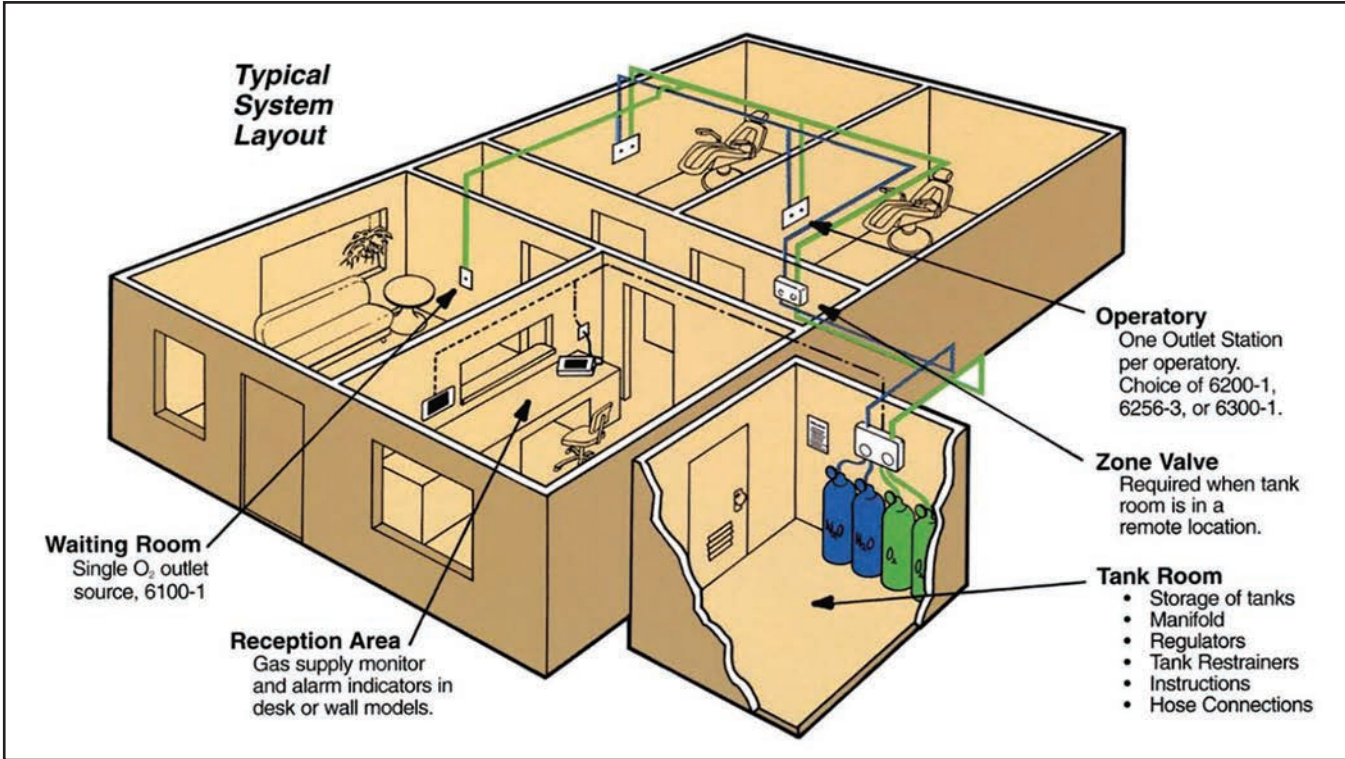
1560-1 Regulator and Yoke w/ DISS Male Connection \$646



1536-1

** For a complete listing of O₂ outlets, see pages 36-37.*

Tank Room Layout

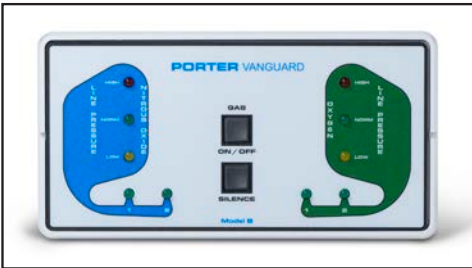


Vanguard Manifold System

Automatic Changeover Manifold



Vanguard Manifold



Vanguard Wall Alarm



Vanguard Desk Alarm



Zone Valve

Complete system including Vanguard Manifold, Wall/Desk Alarm, Manifold Pre-Install Kit, 2 O₂ and 2 N₂O Regulators, O₂ and N₂O hoses, Cylinder Restraints, 75' of Alarm Cable, and Power Supply

4222CXB Vanguard Wall Alarm Package **\$7,544**

4222DXB Vanguard Desk Alarm Package **\$7,544**

4222CXBLPI Vanguard Wall Alarm Package (LPI) **\$6,900**

Complete 4222 system Less Pre-Install Kit

3653-EZW Vanguard Wall Alarm Pre-Install Kit **\$644**
Includes: Cable Assembly (75'), Modular Cable Assembly (2'), Power Junction Box, O₂/N₂O Pigtails, and Mounting Template

4222DXBLPI Vanguard Desk Alarm Package (LPI) **\$6,900**

3653-EZD Vanguard Desk Alarm Pre-Install Kit **\$644**
Includes: Cable Assembly (75'), Modular Cable Assembly (2'), Power Junction Box, O₂/N₂O Pigtails, and Mounting Template

9000-2 Vanguard System Concealed Zone Valve Shut Off **\$1,994**
Cut Out Dimensions: 9" W x 10.5" H

Vanguard System Individual Components

- | | | |
|-------------------|--|----------------|
| 4222NOHF-1 | Vanguard Manifold Only | \$5,381 |
| 6251A | Wall alarm only | \$1,778 |
| 6201A | Desk alarm only | \$1,778 |
| 7000-2 | Oxygen tank regulator | \$523 |
| 7500-2 | Nitrous Oxide tank regulator | \$523 |
| 8003 | 3 ft Oxygen Hose (tank to Manifold) | \$180 |
| 8503-B | 3 ft Nitrous Oxide Hose (tank to Manifold) | \$180 |
| 3525 | Cylinder Restraints (Set of 2) | \$206 |
| A-2144 | DISS Copper Pigtails O ₂ 1/2" O.D. and N ₂ O 3/8" O.D. | \$173 |

Matrx Manifold Retrofit Elbows

- | | | |
|-------------------|------------------------|-------------|
| B-5496-000 | N ₂ O Elbow | \$90 |
| B-5497-000 | O ₂ Elbow | \$90 |

*For additional Vanguard Manifold Parts – see page 52

Sentinel Manifold System

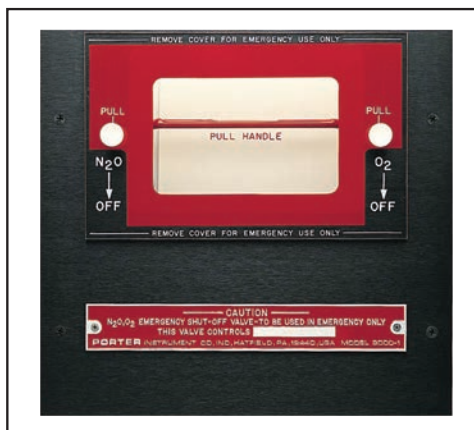
Manual Changeover Manifold System



Sentinel Manifold



Sentinel Wall Alarm Panel



Zone Valve

Complete system including Sentinel Manifold, Wall Alarm, Manifold Pre-Install Kit, 2 O₂ and 2 N₂O Regulators, O₂ and N₂O hoses, Cylinder Restraints, 75' of Alarm Cable, and Power Supply

3222CX **\$5,858**
Sentinel Wall Alarm Package

3221CX **\$5,471**
Sentinel Wall Alarm Package
 Wall Alarm package for 2 O₂ and 1 N₂O Cylinders

3222CX-N/R&H **\$4,046**
Sentinel Wall Alarm Package
 No Regulators or Hoses

9000-1 **\$1,994**
Sentinel System Concealed Zone Valve Shut Off
 Cut Out Dimensions: 9" W x 10.5" H

Sentinel System Individual Components

- 3222MXB** Sentinel Manifold Only **\$3,052**
- 5251** Wall alarm only **\$1,311**
- 7000-2** Oxygen tank regulator **\$523**
- 7500-2** Nitrous Oxide tank regulator **\$523**
- 8003** 3 ft Oxygen Hose (tank to Manifold) **\$180**
- 8503-B** 3 ft Nitrous Oxide Hose (tank to Manifold) **\$180**
- 3525** Cylinder Restraints (Set of 2) **\$206**
- A-2144** DISS Copper Pigtails O₂ 1/2" O.D. and N₂O 3/8" O.D. **\$173**

Matrx Manifold Retrofit Elbows

- B-5496-000** N₂O Elbow **\$90**
- B-5497-000** O₂ Elbow **\$90**

**For additional Sentinel Manifold Parts – see page 53*

Nitrogen Manifold and Accessories



8201 **\$2,838**

Nitrogen Manifold System

Includes one regulator, tank restraints & one 3ft. hose

8202 **\$3,630**

Nitrogen Manifold System

Includes two regulators, tank restraints & two 3ft. hoses

8203 **\$4,420**

Nitrogen Manifold System

Includes three regulators, tank restraints & three 3ft. hoses



Nitrogen Outlet Assembly

6-233114-00 Nitrogen Rough In **\$156**

6-230914-00 Nitrogen Latch Valve – DISS **\$97**

6-325161-00 Outlet Trim Plate **\$45**

(Order one of each)



PARTS ONLY

7400-1 **\$550**

Nitrogen Regulator Only

8803 **\$171**

Nitrogen Hose, DISS/DISS, 3ft.

Note: Stock number listed is for 3 ft. Last digit indicates length.

Example: 8805 hose N₂, DISS/DISS=5ft. long

8200 **\$2,104**

Nitrogen Manifold Only

PA-1140-000 **\$121**

Nitrogen Check Valve Assy.

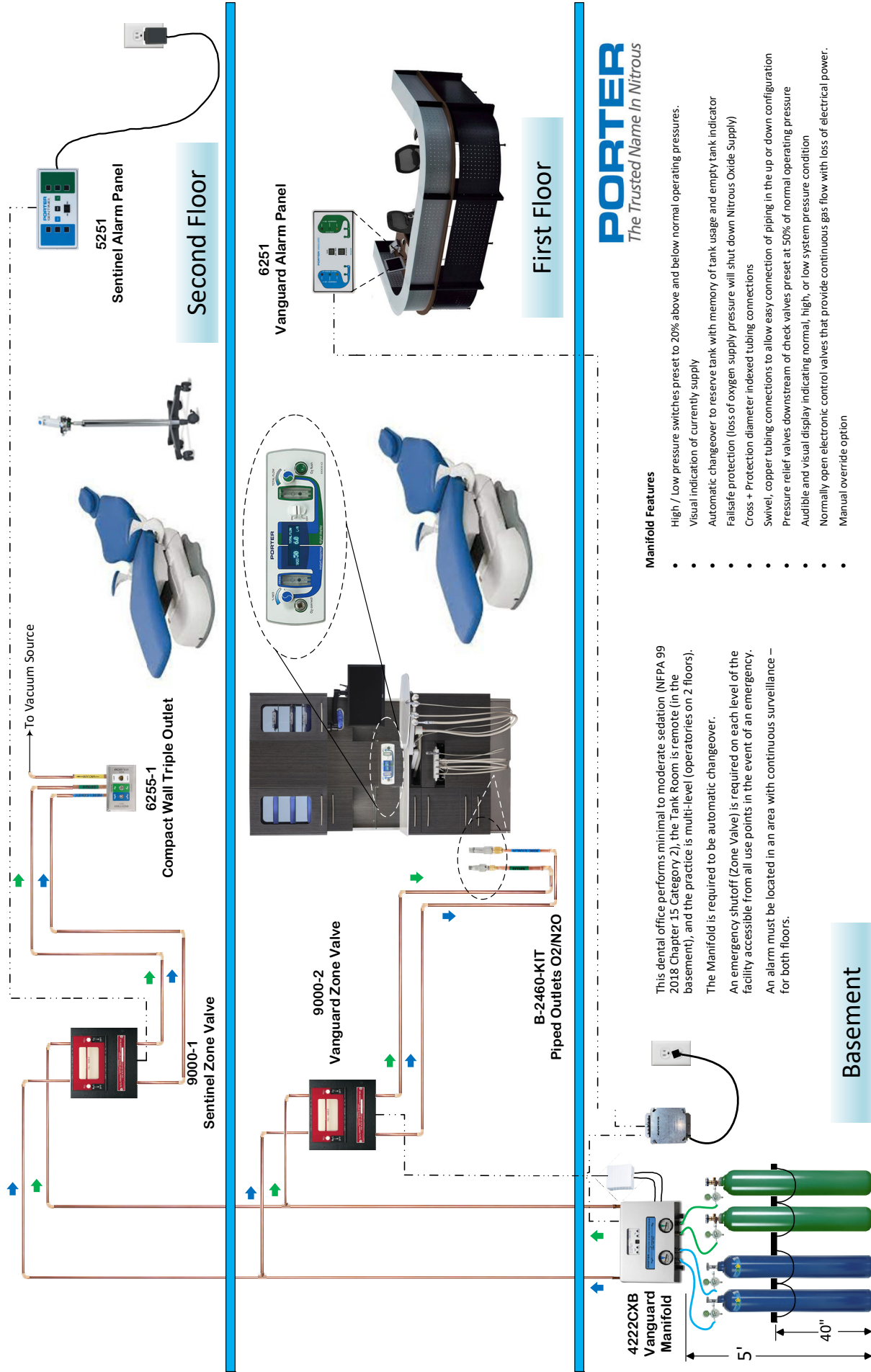
(For 8200 series models)

PA-1143-000 **\$90**

Nitrogen Gauge

(For 8200 series models)

Porter Multi-Floor Manifold and Zone Valve Application Layout



PORTER
The Trusted Name In Nitrous

Manifold Features

- High / Low pressure switches preset to 20% above and below normal operating pressures.
- Visual indication of currently supply
- Automatic changeover to reserve tank with memory of tank usage and empty tank indicator
- Failsafe protection (loss of oxygen supply pressure will shut down Nitrous Oxide Supply)
- Cross + Protection diameter indexed tubing connections
- Swivel, copper tubing connections to allow easy connection of piping in the up or down configuration
- Pressure relief valves downstream of check valves preset at 50% of normal operating pressure
- Audible and visual display indicating normal, high, or low system pressure condition
- Normally open electronic control valves that provide continuous gas flow with loss of electrical power.
- Manual override option

This dental office performs minimal to moderate sedation (NFPA 99 2018 Chapter 15 Category 2), the Tank Room is remote (in the basement), and the practice is multi-level (operatories on 2 floors).

The Manifold is required to be automatic changeover.

An emergency shutoff (Zone Valve) is required on each level of the facility accessible from all use points in the event of an emergency.

An alarm must be located in an area with continuous surveillance – for both floors.

PORTER

Porter Quick Connect Outlet Stations

Porter Outlets



| | |
|--|---------|
| 6100-1 Single Oxygen Outlet Station | \$366 |
| 6200-1 Dual Outlet Station, O ₂ /N ₂ | \$514 |
| 6250K Exposed Cover For Surface Mount 6100-1 or 6200-1 | \$60 |
| 6300-1 Floor Mounted Outlet Station | \$839 |
| 6255-1 Compact Wall Triple Outlet O ₂ /N ₂ O/Vacuum | \$808 |
| 6256-3 Triple Outlet Concealed Triple Outlet | \$808 |
| 6258-1 Compact Triple Outlet for Cabinets (no hoses or piped outlet connections) | \$804 |
| 6258-3 Compact Triple Outlet for Cabinets With 3 foot hoses and piped outlet connections | \$1,398 |
| 6258-5 Compact Triple Outlet for Cabinets With 5 foot hoses and piped outlet connections | \$1,398 |
| 6258-1B Compact Triple Outlet for Cabinets w/ Back Connections (no hoses or piped outlet connections) | \$804 |
| 6258-3B Compact Triple Outlet for Cabinets w/ Back Connections With 3 foot hoses and piped outlet connections | \$1,398 |
| 6258-5B Compact Triple Outlet for Cabinets w/ Back Connections With 5 foot hoses and piped outlet connections | \$1,398 |
| 5600-3 Vacuum Outlet Station | \$447 |

Matrx (OHIO) Quick Connect and DISS Style Outlets

Recessed Ohio Quick Connect Outlet Stations



| Order No. | Description | List Price |
|-----------------|--|--------------|
| 91309146 | O₂, Matrx Single Quick Connect | \$485 |
| 91309147 | N₂O, Matrx Single Quick Connect | \$485 |
| 91309148 | VAC, Matrx Single Quick Connect | \$485 |
| 91309150 | O₂/N₂O Matrx Dual Quick Connect | \$714 |
| 91309151 | O₂/N₂O/Vac Matrx Triple Quick Connect | \$998 |

Recessed DISS Outlet Stations



| Order No. | Description | List Price |
|-----------------|------------------------------------|--------------|
| 91309163 | O₂, DISS Single | \$524 |
| 91309164 | N₂O, DISS Single | \$524 |
| 91309169 | VAC, DISS Single | \$524 |



| | | |
|-----------------|---|--------------|
| 91309171 | O₂/N₂O Dual DISS | \$854 |
|-----------------|---|--------------|



| | | |
|-----------------|---|----------------|
| 91309172 | O₂/N₂O/VAC Triple DISS | \$1,207 |
|-----------------|---|----------------|

Mini O₂ Outlet w/ DISS Back Fitting



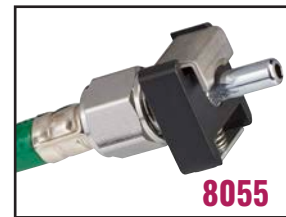
| | | |
|-------------------|---|--------------|
| 4107201187 | Mini Oxygen Outlet Rough In | \$126 |
| 4107214634 | Mini Oxygen Outlet Latch Assembly (OHIO) | \$126 |

Hoses and Quick Connects



8065 O₂/N₂O, Porter Dual Male/
DISS Female, 5ft **\$320**

8055 O₂, Porter Male/DISS Female, 5ft. **\$253**



92305126-5 O₂, Matrx (OHIO) Male/DISS Female, 5ft. **\$180**

92305127-5 N₂O, Matrx (OHIO) Male/DISS Female, 5ft.. **\$180**

92305118-5 O₂, Matrx (OHIO) Female/DISS Female, 5ft. **\$269**

92305119-5 N₂O, Matrx (OHIO) Female/DISS Female, 5ft. **\$269**



8005 O₂, DISS/DISS, 5ft., Female **\$180**

8505 N₂O, DISS/DISS, 5ft., Female **\$180**

8005-F/M O₂, DISS Female/Male, 5ft. **\$197**

8505-F/M N₂O, DISS Female/Male, 5ft. **\$197**

92305288-5 O₂, DISS Hand Twist Female/DISS Female, 5 ft. **\$186**

92305289-5 N₂O, DISS Hand Twist Female/DISS Female, 5ft. **\$186**



8015 O₂, Chemetron (NCG) Male/DISS Female, 5 ft. **\$271**

8515 N₂O, Chemetron (NCG) Male/DISS Female, 5 ft. **\$271**



8025 O₂, Puritan Male/DISS Female, 5 ft. **\$271**

8525 N₂O, Puritan Male/DISS Female, 5 ft. **\$271**



8035 O₂, Schrader Male/DISS Female, 5 ft. **\$304**

8535 N₂O, Schrader Male/DISS Female, 5 ft. **\$304**

All hose prices 1 – 5 ft are same price. Last digit of part numbers indicates length.
Call Porter for price per foot of O₂ and N₂O hose.



| | | |
|-------------|---|--------------|
| 8045 | O₂, Oxequip Male / DISS Female, 5ft. | \$271 |
| 8545 | N₂O, Oxequip Male / DISS Female, 5ft. | \$271 |

Vacuum Hoses and Vacuum Quick Connects

Vacuum Hoses Only



| | | |
|-------------------|---|-----------------|
| 5059 | Vacuum Hose (Grey), 8ft. (3/8" ID, 5/8" OD) | \$65 |
| PA-679-000 | Vacuum Hose (Grey), By the foot (3/8" ID, 5/8" OD) | \$12/ft. |



| | | |
|---------------------|--|--------------|
| PA-679-CLR25 | Vacuum Hose (Clear), 25ft. (3/8" ID, 5/8" OD) | \$135 |
|---------------------|--|--------------|

| | | |
|-----------------|--|-------------|
| 91525143 | Vacuum Hose (Matrx Remote Bag Tee), 10ft. | \$40 |
|-----------------|--|-------------|

| | | |
|--------------------|--|----------------|
| PA-1160-000 | Vacuum Hose (Matrx Remote Bag Tee), by the foot | \$6/ft. |
|--------------------|--|----------------|

| | | |
|-------------------|---|--------------|
| 92515063-5 | Vacuum Hose, 1/4" MNPT / Matrx Ohio Male, 5ft. | \$165 |
|-------------------|---|--------------|

| | | |
|-------------------|---|--------------|
| 92515064-5 | Vacuum Hose, 1/4" MNPT / DISS Female, 5ft. | \$186 |
|-------------------|---|--------------|

| | | |
|-------------------|---|--------------|
| 92305248-5 | Vacuum Hose, DISS Female / DISS Female, 5ft. | \$158 |
|-------------------|---|--------------|

Vacuum Connects Only



| | | |
|-------------|---|--------------|
| 5602 | Porter Vacuum Quick Connect Right Angle w/ 3/8" Barb | \$169 |
|-------------|---|--------------|

| | | |
|-------------------|--|--------------|
| A-4266-000 | Porter Vacuum Quick Connect (Straight) w/ 3/8" Barb | \$173 |
|-------------------|--|--------------|



| | | |
|-------------|---|--------------|
| 5670 | Matrx (OHIO) Vacuum Quick Connect w/ 3/8" Barb | \$169 |
|-------------|---|--------------|

| | | |
|---------------------|---|--------------|
| 5602-DISSVAC | DISS Vacuum Connect w/ 3/8" Barb | \$169 |
|---------------------|---|--------------|

| | | |
|----------------|--|--------------|
| 5602-CT | Chemetron Vacuum Quick Connect w/ 3/8" Barb | \$169 |
|----------------|--|--------------|

| | | |
|----------------|--|--------------|
| 5602-PB | Puritan Vacuum Quick Connect w/ 3/8" Barb | \$185 |
|----------------|--|--------------|



| | | |
|----------------|--|--------------|
| 5602-OM | Oxequip Medstar Vacuum Quick Connect w/ 3/8" Barb | \$185 |
|----------------|--|--------------|

| | | |
|---------------------|--|--------------|
| 5602-DISSWAG | DISS WAGD Vacuum Connect w/ 3/8" Barb | \$185 |
|---------------------|--|--------------|

| | | |
|-----------------|--|--------------|
| 5670WAGD | Matrx (OHIO) WAGD Vacuum Quick Connect w/ 3/8" Barb | \$177 |
|-----------------|--|--------------|



| | | |
|-------------------|---|--------------|
| 5602-CTWAG | Chemetron WAGD Vacuum Quick Connect w/ 3/8" Barb | \$192 |
|-------------------|---|--------------|

| | | |
|-------------------|--|--------------|
| 5602-PBWAG | Puritan WAGD Connect w/ 3/8" Barb | \$185 |
|-------------------|--|--------------|

| | | |
|----------------|-----------------------------|--------------|
| 5602-RK | Right Angle Retrofit | \$264 |
|----------------|-----------------------------|--------------|



| | | |
|------------------|---|--------------|
| C-598-004 | O₂ Splitter DISS (order hoses separately) | \$179 |
|------------------|---|--------------|

| | | |
|------------------|--|--------------|
| C-598-003 | N₂O Splitter DISS (order hoses separately) | \$179 |
|------------------|--|--------------|

| | | |
|-------------------|--|-------------|
| B-5497-000 | O₂ 90° Elbow Female DISS / Female DISS | \$90 |
|-------------------|--|-------------|

| | | |
|-------------------|---|-------------|
| B-5496-000 | N₂O 90° Elbow Female DISS / Female DISS | \$90 |
|-------------------|---|-------------|

Silhouette Low Profile Nasal Mask

PORTER
Silhouette
LOW PROFILE NASAL MASK



Silhouette Single-Use Low Profile Mask and Breathing Circuit – All In One!



Porter's Silhouette Nasal Mask is available in 4 sizes: *Pedo, Small, Medium and Large*, resulting in an improved fit for your patients.

- Save time on sterilization*
- Low profile
- Scavenging efficiency
- Unobstructed access
- Predictable experience
- Save space in sterilizer*
- Single use mask and tubing
- Improves seal around nose
- Can be used with **any brand flowmeter**

* Compared to requirements of traditional breathing circuits

Here is all you need to convert your existing flowmeter:

**Silhouette Retrofit Package
(Part # SIL2-RETRO-PKG)**

**Silhouette Variety Pack
(Part # SIL2-VAR-4x3)**

View videos and additional information at: www.porterinstrument.com/silhouette

Silhouette Low Profile Nasal Mask (Continued)

Try this exciting new product by ordering a Silhouette Retrofit Package and Variety Pack



SIL2-RETRO-PKG Silhouette Retrofit Package (order one for each flowmeter) Includes: Cannula Adapter, Breathing Bag Cap, 6.5' Fresh Gas/Vacuum Tubing, 4 Color Coded Sizer Masks, Clip, and Vacuum Block Adjustor **\$90**

SIL2-VAR-4X3 Variety 12 Pack: 3 of each size - Pediatric, Small, Medium, Large **\$113**



SIL2-PEDO-12 Pediatric Silhouette – 12 Pack **\$104**

SIL2-SM-12 Small Silhouette – 12 Pack **\$104**

SIL2-MED-12 Medium Silhouette – 12 Pack **\$113**

SIL2-LG-12 Large Silhouette – 12 Pack **\$113**

SIL2-PEDO-24 Pediatric Silhouette – 24 Pack **\$194**

SIL2-SM-24 Small Silhouette – 24 Pack **\$194**

SIL2-MED-24 Medium Silhouette – 24 Pack **\$217**

SIL2-LG-24 Large Silhouette – 24 Pack **\$217**



SIL2-CAPNO

Silhouette Parts

SIL-SIZER-4 Silhouette Sizer Masks - Color Coded - 1 For Each Size (included w/ SIL2-RETRO-PKG) **\$36**

B-5581-001 Fresh Gas and Vacuum Tubing, 3/8 + 1/4 X 78" (included w/ SIL2-RETRO-PKG) **\$66**

SIL-ADPT-PKG 3 Pack Adapter Package, Canula Adapter, Clip w/ Strap, Bag Tee Cap **\$30**

SIL-VAC Silhouette Vacuum Block Adjuster **\$52**

SIL2-CAPNO Silhouette Capnography Barbs (25) **\$16**

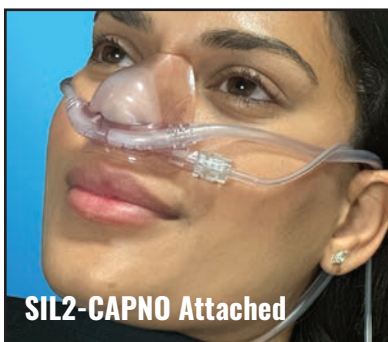
B-5603-005 Cannula Adapter (5) **\$18**

PA-1630-005 Plastic Strap w/ Clip (5) **\$14**

62905510W5 Bag Tee Cap (5) **\$15**

1585 15mm to 22mm Right Angle Adapter **\$19**

1571-22 22mm Right Angle Adapter **\$40**



SIL2-CAPNO Attached



SIL-VAC

Porter Breathing Circuits and Vacuum Control



PORTER BREATHING CIRCUITS WITH ADULT HOOD

| | |
|--|----------------|
| 5155-3AV | \$1,327 |
| Porter Adult Breathing Circuit w/ AVS | |
| 5155-1 | \$940 |
| Porter Adult Breathing Circuit w/ In-Line Vacuum Control | |
| 5155-3 | \$797 |
| Porter Adult Breathing Circuit – No Vacuum Control | |



PORTER BREATHING CIRCUITS WITH PEDIATRIC HOOD

| | |
|--|----------------|
| 5155-4AV | \$1,327 |
| Porter Pediatric Breathing Circuit w/ AVS | |
| 5155-2 | \$940 |
| Porter Pediatric Breathing Circuit w/ In-Line Vacuum Control | |
| 5155-4 | \$797 |
| Porter Pediatric Breathing Circuit – No Vacuum Control | |

*Order 4100-3NL or 4100-2NL Breathing Bag Separate (see page 44)

PORTER VACUUM CONTROLS

| | |
|---|---------------|
| AVS-5000 | \$650 |
| Automatic Vacuum Switch | |
| AVS-5000S | \$781 |
| Automatic Vacuum Switch w/ Swivel Mount | |
| AVS-5000QD | \$650 |
| Automatic Vacuum Switch w/ Quick Disconnect | |
| EAVS-5000-F | \$1200 |
| Midas Flush-Mount Automatic Vacuum Switch | |
| EAVS-5000-P | \$1200 |
| Midas Portable Automatic Vacuum Switch | |
| 5501-RK | \$151 |
| In-Line Vacuum Control | |



P1407QD Bag Tee not included – order separately

Porter Nasal Hoods



5054C and 5054D



5053 AD12



5053 AD12C

PORTER AUTOCLAVABLE NASAL HOODS

ADULT

5054A \$381

Porter Adult Double Mask Hood Kit w/ 3 Inner Mask Liners

5054C \$341

Porter Adult Double Mask w/ 1 Inner Mask Liner

5054-1 \$84

Porter Adult Inner Mask Liners (3)

PEDIATRIC

5054B \$381

Porter Pediatric Double Mask Hood Kit w/ 3 Inner Mask Liners

5054D \$341

Porter Pediatric Double Mask Hood Kit w/ 1 Inner Mask Liner

5054-2 \$84

Porter Pediatric Inner Mask Liners (3)

PORTER DISPOSABLE NASAL HOODS

ADULT

5053AD12 \$59

Porter Adult Disposable Inner Mask Liners (12)

5053AD12C \$59

Porter Adult Disposable Inner Mask Liners – Citrus (12)

5053AD144 \$673

Porter Adult Disposable Inner Mask Liners (144)

5053AD144C \$673

Porter Adult Disposable Inner Mask Liners – Citrus (144)

PEDIATRIC

5053PD12 \$59

Porter Pediatric Disposable Inner Mask Liners (12)

5053PD12C \$59

Porter Pediatric Disposable Inner Mask Liners – Citrus (12)

5053PD144 \$673

Porter Pediatric Disposable Inner Mask Liners (144)

5053PD144C \$673

Porter Pediatric Disposable Inner Mask Liners – Citrus (144)

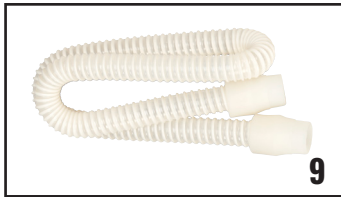
Porter Breathing Circuit Accessories And Parts



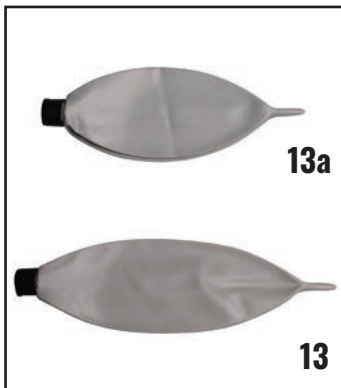
2



*



9

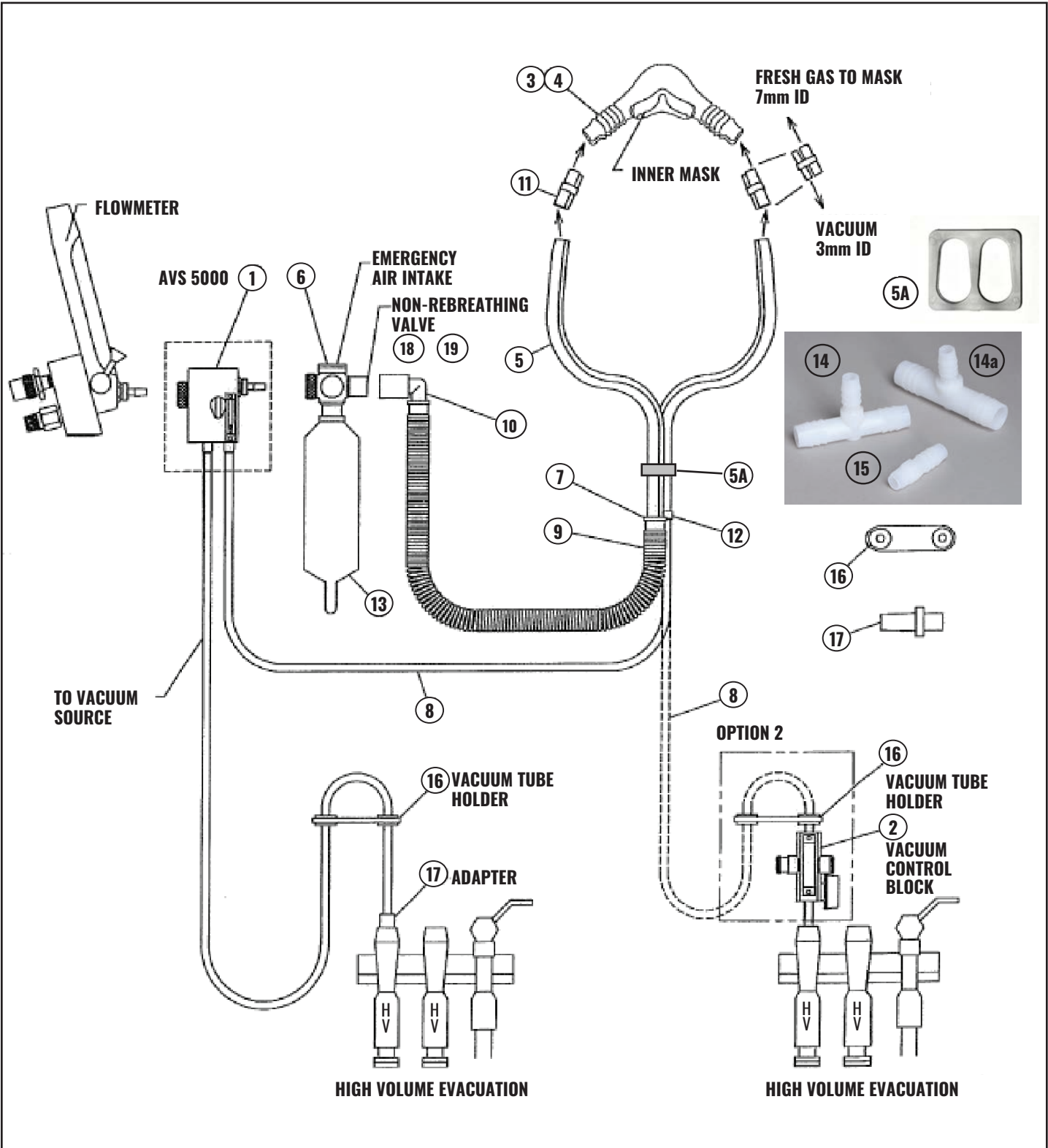


13a

13

| ITEM | PART NO. | DESCRIPTION | RETAIL |
|------|------------|---|--------|
| 1 | AVS-5000 | Automatic Vacuum Switch (AVS) | \$650 |
| 2 | 5501-RK | In-Line Vacuum Control Block Kit | \$151 |
| 3 | 5054A | Porter Adult Hood Kit w/ 3 Liners | \$381 |
| 3a | 5054C | Porter Adult Hood Kit w/ 1 Liner | \$341 |
| 4 | 5054B | Porter Pedit Hood Kit w/ 3 Liners | \$381 |
| 4a | 5054D | Porter Pedit Hood Kit w/ 1 Liners | \$341 |
| * | 5066 | Porter Hood Inner Liner Flapper Valve (3) | \$34 |
| 5 | 5056 | Coaxial Tubing – set of 2 (27") | \$288 |
| 5a | 5057 | Coaxial Tension Slide Adjuster | \$30 |
| 6 | P1407A | Porter Bag Tee | \$331 |
| 6a | P1407QD | Porter Quick Connect Bag Tee | \$421 |
| 6b | P2407A | Porter Oral Surgery Flowmeter Threaded Bag Tee | \$419 |
| 7 | 5058 | Fresh Gas "Y" Connector | \$34 |
| 8 | 5059 | Vacuum Hose 8ft. (3/8" ID, 5/8" OD) | \$65 |
| 8a | PA-679-000 | Vacuum Hose Per Foot | \$12 |
| 9 | 5060-3 | Fresh Gas Autoclavable Corrugated Tubing 3ft. (22mm ID, 7/8" OD) | \$93 |
| 9a | 5060-6 | Fresh Gas Autoclavable Corrugated Tubing 6 ft. (22mm ID, 7/8" OD) | \$119 |
| 10 | 1571-22 | 22mm Right Angle Flowmeter Adapter | \$40 |
| 10a | 1570-24 | 24mm Right Angle Flowmeter Adapter | \$55 |
| 11 | 5061 | Mask to Tubing Plastic Connectors (Set of 2) | \$41 |
| 12 | 5062 | Vacuum Hose "Y" Connector | \$37 |
| 13 | 4100-3NL | 3 Liter Bag, Non-Latex | \$59 |
| 13a | 4100-2NL | 2 Liter Bag, Non-Latex | \$59 |
| 14 | 5063 | 1/2" with 3/8" T Adapter | \$19 |
| 14a | 5068 | 5/8" with 3/8" T Adapter | \$19 |
| 15 | 5064 | 3/8" w/ 1/8" NPT Straight Adapter | \$19 |
| 16 | 5065 | Vacuum Tube Holder | \$34 |
| 17 | A-3679-000 | HVE Adapter, Black, 3/4" Round (VAC/MASK) | \$43 |
| 18 | A-4297-000 | Porter Bag Tee Flapper / Exhalation Valve Assembly | \$43 |
| 19 | 4650 | Porter Bag Tee Flapper / Exhalation Valve Only | \$19 |

Porter Breathing Circuit Accessories And Parts



Matrix Scavenger, Nasal Hoods, and Vacuum Control



Matrix Scavenger - W/3-Liter Breathing Bag and Scavenger Control Valve
82501 Matrix Scavenger Large \$988
82502 Matrix Scavenger Medium \$988
82503 Matrix Scavenger Pediatric \$988

Matrix Scavenger - W/3-Liter Breathing Bag
82504 Matrix Scavenger Large \$731
82505 Matrix Scavenger Medium \$731
82506 Matrix Scavenger Pediatric \$731

Matrix Scavenger Assemblies Only
91515192 Matrix Scavenger Large \$696
91515193 Matrix Scavenger Medium \$696
91515194 Matrix Scavenger Pediatric \$696



Matrix Scavenger Without Hood
91515197 Matrix Scavenger w/out Hood \$569

Autoclavable Nasal Hoods - Matrix Scavenger
91515096 Large Nasal Hood Only \$118
91515095 Medium Nasal Hood Only \$118
91515094 Pediatric Nasal Hood Only \$118



Miscellaneous Replacement Parts
4100-3NL 3-Liter Breathing Bag NON-LATEX \$59
4100-2NL 2-Liter Breathing Bag NON-LATEX \$59



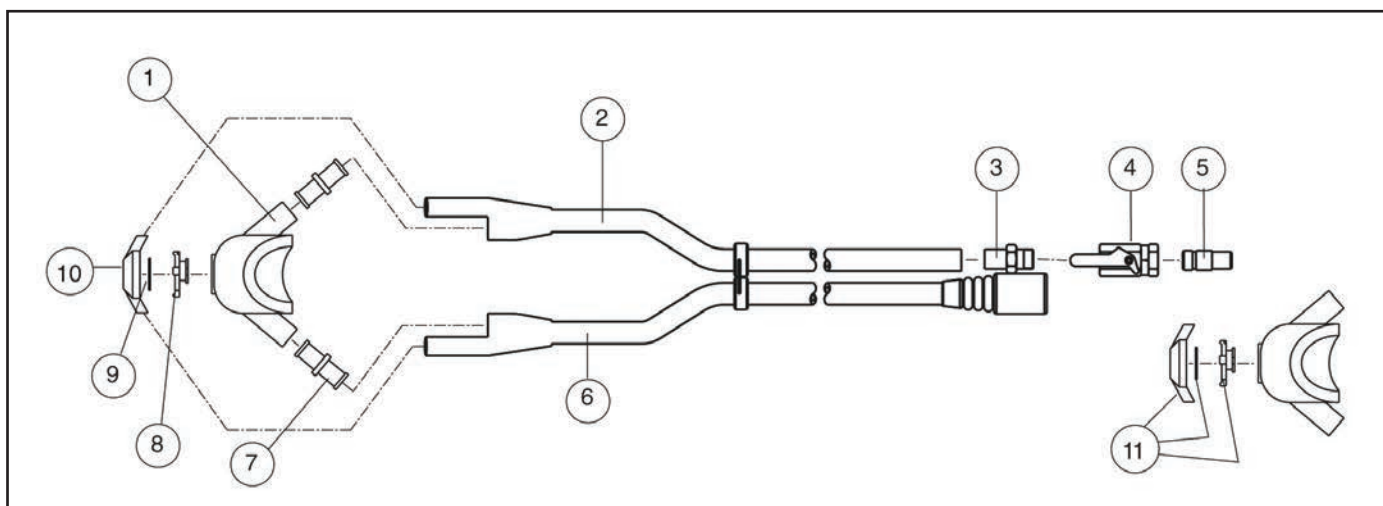
Matrix Scavenger Control Valves
91515083 For MDM/RA \$355
77000963 Replacement Knob \$54
91525109 For Digital MDM \$337
77000961 Replacement Knob \$71
91515085 With Ohio Quick-Connect Adapter \$424
91515086 For Cabinet Mounting \$344



Quick Connect Vacuum Hose Adapter
92515063-8 Quick Connect Hose \$261
 For Connecting Scavenger + \$4/ft. to Vacuum Outlet: Ohio QC x 1/4" NPT



Matrix Scavenger Parts



| ITEM | PART NO. | DESCRIPTION | RETAIL |
|------|----------|--|--------|
| 1 | 91515094 | Pediatric Autoclavable Nasal Hood | \$118 |
| 1 | 91515095 | Medium Autoclavable Nasal Hood | \$118 |
| 1 | 91515096 | Large Autoclavable Nasal Hood | \$118 |
| 2 | 91515202 | Replacement Vacuum Tubing | \$152 |
| 3 | 91515158 | Replacement Vacuum Nipple (small orifice) | \$39 |
| 4 | 91515159 | Replacement Shut-off Valve | \$92 |
| 5 | 91515205 | Replacement Vacuum Adapter | \$21 |
| 6 | 91515203 | Replacement Gas Tubing w/slide | \$152 |
| 7 | 91515201 | Replacement Hood/Hose Connector (2/pk) | \$31 |
| 8 | 91515207 | Replacement Cage Valve | \$54 |
| 9 | 91515162 | Replacement Non-Breathing Valve (5 pk) | \$21 |
| 10 | 91515208 | Replacement Matrix Scavenger Cone | \$71 |
| 11 | 91515177 | Replacement Matrix Scavenger Cone Assembly | \$119 |



Matrix DynoMite Single-Use Nasal Hoods



The only scented, single-use nasal hoods that come packaged with a colorful cartoon sticker.

- 3 size options and 5 scent options
- Universal adapter available

Universal Conversion Kit

| | | |
|-----------------|---|--------------|
| 91515142 | DynoMite Nasal Hood Universal Conversion Kit Easily retrofit Porter, Accutron and Belmed breathing circuits to use Matrix Dynamite nasal hoods. | \$114 |
|-----------------|---|--------------|

DynoMite 12 Pack Bag

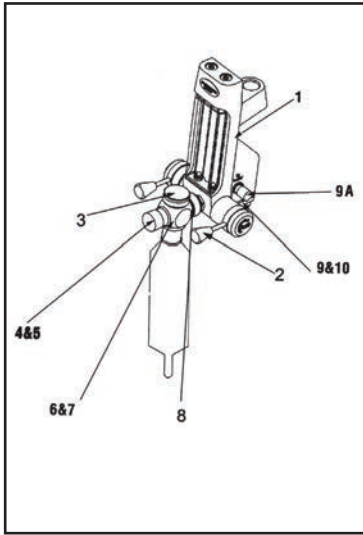
| | | |
|-----------------|--------------------------------|-------------|
| 91316496 | Bubble Gum Small | \$77 |
| 91316503 | Bubble Gum Medium | \$77 |
| 91316510 | Bubble Gum Large | \$77 |
| 91316497 | Strawberry Small | \$77 |
| 91316504 | Strawberry Medium | \$77 |
| 91316511 | Strawberry Large | \$77 |
| 91316498 | Orange Small | \$77 |
| 91316505 | Orange Medium | \$77 |
| 91316512 | Orange Large | \$77 |
| 91316499 | Vanilla Small | \$77 |
| 91316506 | Vanilla Medium | \$77 |
| 91316513 | Vanilla Large | \$77 |
| 91316500 | Plain Small | \$77 |
| 91316507 | Plain Medium | \$77 |
| 91316514 | Plain Large | \$77 |
| 91316501 | Assorted Scents Small | \$77 |
| 91316508 | Assorted Scents Medium | \$77 |
| 91316515 | Assorted Scents Large | \$77 |
| 91316516 | Assorted Scents Various | \$77 |

DynoMite 24 Pack Bag

| | | |
|-----------------|--------------------------------|--------------|
| 91316461 | Bubble Gum Small | \$139 |
| 91316468 | Bubble Gum Medium | \$139 |
| 91316475 | Bubble Gum Large | \$139 |
| 91316462 | Strawberry Small | \$139 |
| 91316469 | Strawberry Medium | \$139 |
| 91316476 | Strawberry Large | \$139 |
| 91316463 | Orange Small | \$139 |
| 91316470 | Orange Medium | \$139 |
| 91316477 | Orange Large | \$139 |
| 91316464 | Vanilla Small | \$139 |
| 91316471 | Vanilla Medium | \$139 |
| 91316478 | Vanilla Large | \$139 |
| 91316465 | Plain Small | \$139 |
| 91316472 | Plain Medium | \$139 |
| 91316479 | Plain Large | \$139 |
| 91316466 | Assorted Scents Small | \$139 |
| 91316473 | Assorted Scents Medium | \$139 |
| 91316480 | Assorted Scents Large | \$139 |
| 91316481 | Assorted Scents Various | \$139 |

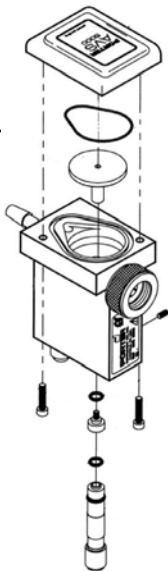


Flowmeter Parts for Porter MXR, Porter Oral Surgery, Porter Standard Models and AVS Parts



MXR and Standard Flowmeters

| STOCK NO. | DESCRIPTION | |
|-----------------------|--|-------|
| 1. PA-236-001 | Flow Tube Cover Models 3000 and 1100 | \$54 |
| 1a. PA-236-PL | Flow Tube Cover Model 2000 | \$54 |
| 2. P2400 | Sterile Knob Kit, Set of 2 | \$117 |
| 3. A-2134 | Emergency Air Intake Valve Assembly | \$141 |
| 4. A-4297-000 | Non-rebreathing Check Valve Assembly | \$43 |
| 5. 4650 | Flapper Valve Only | \$19 |
| 6. P1407A | Bag Tee Assembly | \$331 |
| P1407QD | Bag Tee Assembly, Quick Disconnect | \$421 |
| 7. P2407A | Oral Surgery Bag Tee Assembly (threaded) | \$419 |
| 7a. A-1890-TF4 | Teflon Washer for Oral Surgery Y Valve | \$14 |
| 8. A-3379-000 | Cannula / Bag Tee Adapter | \$118 |
| 8a. PA-296-001 | Viton Sealing Washer for Bag Tees | \$5 |
| 9. A-1762 | On / Off Switch Assembly | \$128 |
| 9a. PA-128-PL3 | Green Knob for On/Off Switch | \$19 |
| 10. A-4059-000 | On / Off Switch Rebuilt Kit | \$34 |



Automatic Vacuum Switch Parts

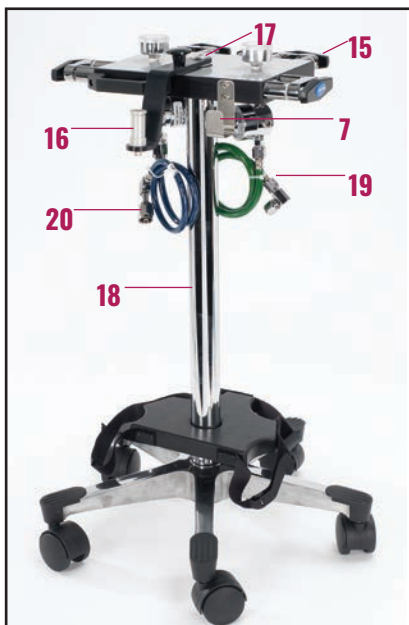
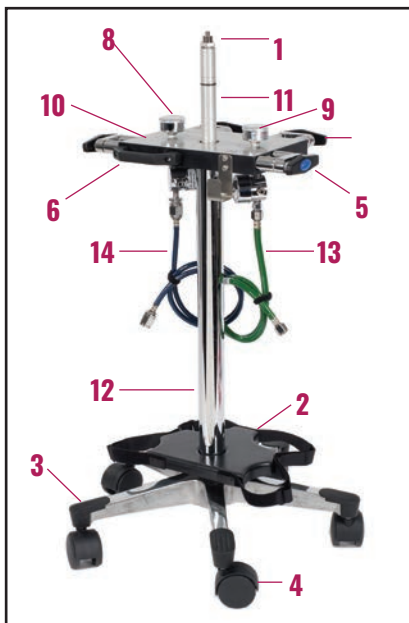
| | | |
|-------------------|----------------------------|------|
| AVS-KIT | AVS Rebuild Kit | \$90 |
| B-3814-KIT | AVS Sight Glass Repair Kit | \$61 |



Sentry Sedate Replacement Parts – Keys & Lock

| | | |
|--------------------|----------------------------|------|
| PA-1687-001 | Sentry Keys (2016-Present) | \$42 |
| PA-1687-002 | Sentry Keys (2014-2015) | \$42 |
| PA-1687-000 | Sentry Keys (2013) | \$42 |
| C-1695-002 | Sentry Lock Kit (1) | \$79 |

Porter and Matrix E-Stand and Mobile Cart Parts



E-Stand Regulators are not field serviceable / replaceable.

E-STAND AND MOBILE CART PARTS (TALL OR SHORT)

| | | |
|-----------------------|---|-------|
| 1. A-3369-000 | Porter / Matrix Mounting Stud w/ Washer (for all Porter / Matrix Mobile Stands) | \$65 |
| 2. C-1658-000 | 5 Star Wheel Base Cylinder Restraint | \$152 |
| 3. 91505113 | 5 Star Wheel Base | \$231 |
| 4. PA-234-004 | Caster, Locking (1) | \$49 |
| 5. A-4060-000 | Cylinder Yoke "T" Handle (1) | \$42 |
| 6. PA-1182-000 | E-Block Handle | \$34 |
| 7. A-2508-003 | Breathing Circuit Hook | \$47 |
| 8. 64900422 | N ₂ O E-Stand Pressure Gauge | \$92 |
| 9. 64900423 | O ₂ E-Stand Pressure Gauge | \$92 |
| * A-3399-000 | Yoke Gasket Washer (1) | \$3 |
| * PA-1185-000 | Cylinder Wrench with Chain | \$16 |
| * A-4434K | Check Valve Repair Kit (1) | \$101 |
| * A-4544-000 | Post Thumb Screw Assembly | \$9 |
| * 649004C | Pressure Gauge Cover** (threaded) | \$55 |
| * 649004RC | Pressure Gauge Cover** (snap on) | \$55 |

TALL E-STAND MOBILE CART PARTS

| | | |
|-----------------------|---|---------|
| 10. C-1738-001 | Tall E-Stand E-Block Assembly (for 5 star base) | \$3,029 |
| 11. A-3372-000 | Tall E-Stand Inner Post Assembly (with mounting stud) | \$179 |
| 12. B-1883-001 | Tall E-Stand Post / Tube Assembly | \$373 |
| 13. 8003 | O ₂ Hose, 3 ft, DISS / DISS | \$180 |
| 14. 8503 | N ₂ O Hose, 3ft, DISS / DISS | \$180 |

SHORT E-STAND MOBILE CART PARTS

| | | |
|-----------------------|--|---------|
| 15. C-1738-001 | Short E-Stand E-Block Assembly (for 5 star base) | \$3,029 |
| 16. B-4669-000 | S Bracket Assembly | \$139 |
| 17. A-4052-000 | Short E-Stand Inner Post Assembly | \$196 |
| 18. B-4668-000 | Short E-Stand Post / Tube Assembly | \$373 |
| 19. 8082 | O ₂ Hose, 2 ft., DISS / DISS w/ 90° Angle Elbow | \$225 |
| 20. 8582 | N ₂ O Hose, 2 ft., DISS / DISS w/ 90° Angle Elbow | \$225 |

MOBILE STAND PARTS

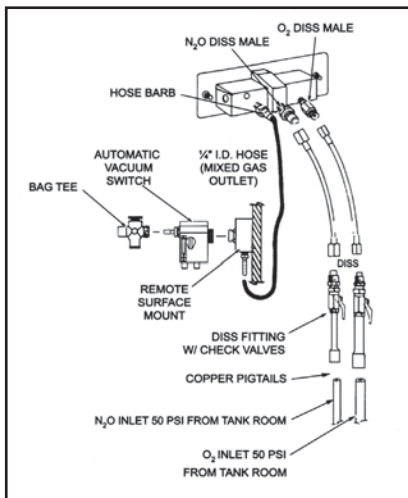
| | | |
|------------------------|--|-------|
| 21. B-1883-000 | Compact Mobile Stand Post / Tube Assembly (2040) | \$302 |
| * B-1883-001 | Tall Mobile Stand Post / Tube Assembly (2042) | \$373 |
| 22. PA-1313-000 | Mobile Stand Inner Post Knob Screw | \$21 |

*Part not shown

**4RC part used on all E-blocks w/ serial starting after:

• 2045-3: 5425 • 2045-SHORT3: 2095 • SENTRY: 1675

Flush Mount Flowmeter Accessories



FLEXIBLE INSTALLATION

| STOCK NO. | DESCRIPTION | |
|--------------|--|-------|
| PA-450-1-001 | 1/4" ID Green O ₂ Hose, 20 ft. | \$118 |
| PA-450-1-000 | 1/4" ID Green O ₂ Hose, 10 ft. | \$90 |
| A-2633-000 | Through Wall Adapter Assy. for Bag Tee | \$227 |
| A-1679 | Remote Surface Mount for Bag Tee Assembly | \$221 |
| B-2460-KIT | Pre-Install Kit – Piped Outlet Connection, O ₂ and N ₂ O | \$350 |
| B-2460-003 | O ₂ Piped Outlet Connection, DISS Check Valve | \$181 |
| B-2461-003 | N ₂ O Piped Outlet Connection, DISS Check Valve | \$181 |
| PA-1501-000 | O ₂ DISS Check Valve Assembly for -003 | \$122 |
| PA-1502-000 | N ₂ O DISS Check Valve Assembly for -003 | \$122 |
| A-2508-000 | Rubber Goods Hook | \$54 |
| P1407A | Bag Tee Assembly | \$331 |
| P1407QD | Porter Bag Tee Assembly – Quick Disconnect | \$421 |
| 8008 | O ₂ DISS / DISS Hose, 8ft. | \$205 |
| 8508 | N ₂ O DISS / DISS Hose, 8ft. | \$205 |

ACCESSORIES

| STOCK NO. | DESCRIPTION | |
|-----------|---|-------|
| B-4988 | Bezel Mounting Bracket for MXR-1 and MXR-D (For MXR-D – new power supply required) | \$174 |

GAS SUPPLY FITTINGS ONLY

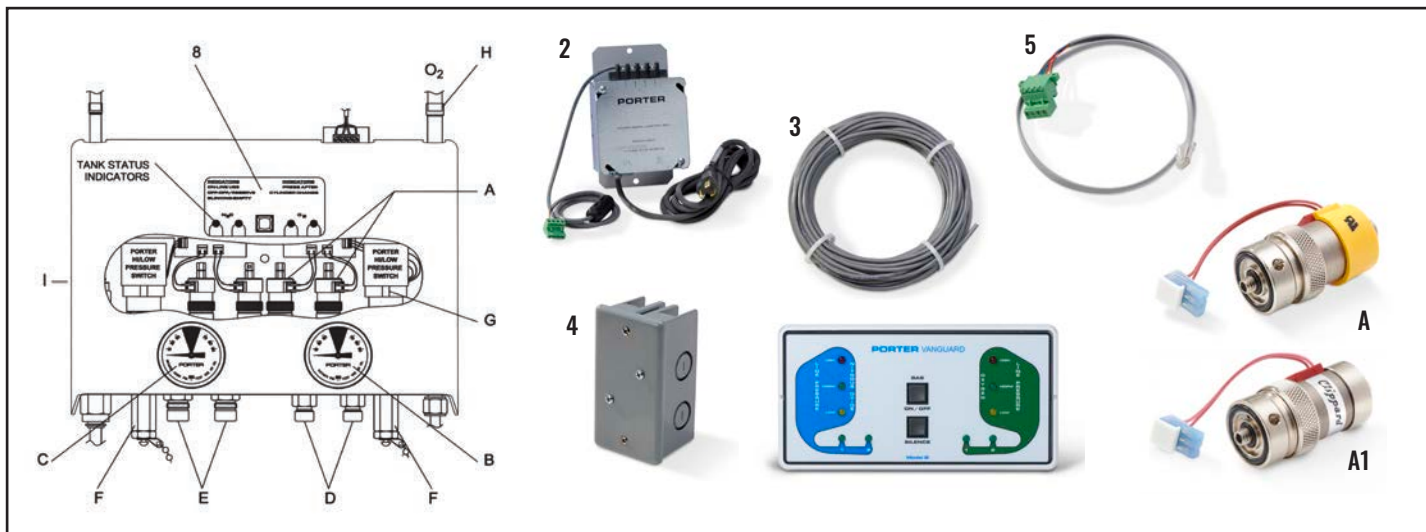
| STOCK NO. | DESCRIPTION | |
|-------------|---|-------|
| A-1675 | Porter O ₂ DISS / Male DISS Fitting | \$140 |
| PA-866-000 | O ₂ DISS / NCG (Chemetron) Fitting | \$174 |
| PA-864-000 | N ₂ O DISS / NCG (Chemetron) Fitting | \$174 |
| PA-867-000 | O ₂ DISS / Puritan (McKesson & Fraser Harlake) Fitting | \$174 |
| PA-865-000 | N ₂ O DISS / Puritan (McKesson & Fraser Harlake) Fitting | \$174 |
| PA-927-000 | O ₂ DISS / Schrader Twist Fitting | \$186 |
| PA-928-000 | N ₂ O DISS / Schrader Twist Fitting | \$186 |
| PA-871-000 | O ₂ DISS / Oxequip Fitting | \$186 |
| PA-872-000 | N ₂ O DISS / Oxequip Fitting | \$186 |
| PA-868-000 | O ₂ DISS / Ohio Medical (Matrx) Fitting | \$186 |
| PA-869-000 | N ₂ O DISS / Ohio Medical (Matrx) Fitting | \$186 |
| 91505068 | O ₂ , Matrx (OHIO) Female / 1/4" MNPT | \$365 |
| PA-1362-000 | O ₂ DISS F x M 90 Degree Adapter | \$57 |
| PA-1727-000 | O ₂ DISS / 90 Degree Swivel Elbow | \$143 |
| PA-1728-000 | N ₂ O DISS / 90 Degree Swivel Elbow | \$143 |

GAS SUPPLY TUBING

| STOCK NO. | DESCRIPTION | |
|-----------|---|-------|
| B-1329-5 | Porter Duplex Hose, O ₂ / N ₂ O, Male DISS / Porter, 5ft. | \$370 |

SPECIAL ORDER ALL SALES FINAL

Vanguard Manifold and Zone Valve Parts



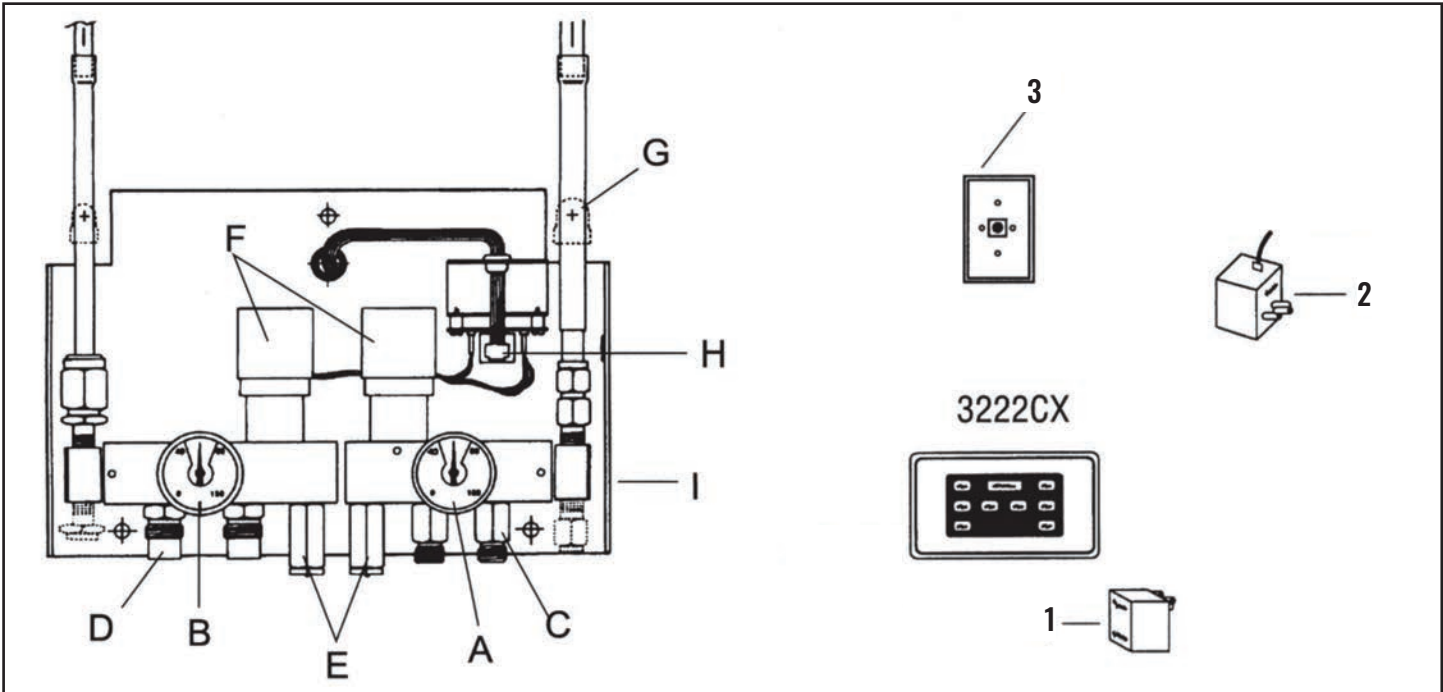
| STOCK NO. | DESCRIPTION | |
|-----------------|---|---------|
| A. A-2521-001 | Electric Pneumatic Solenoid – Yellow Band | \$177 |
| A1. A-4258-000 | (Normal Open) model No & NOHF – Silver Band | \$173 |
| B. PA-1433-000 | O ₂ Gauge 0-150-psi | \$93 |
| C. PA-1433-001 | N ₂ O Gauge 0-150-psi | \$93 |
| D. B-1322 | O ₂ DISS Check Valve Assembly | \$102 |
| E. B-1323 | N ₂ O DISS Check Valve Assembly | \$102 |
| F. B-1324 | Pressure Relief Valve Assembly | \$129 |
| G. C-394-001 | Pressure Switch Assembly | \$339 |
| H. A-2144 | Diss / Copper Pigtails (straight) Oxygen - 1/2 O.D. copper x DISS O ₂ female | \$173 |
| | Nitrous Oxide - 3/8 O.D. copper x DISS N ₂ O female | |
| 1. A-4558-000 | Molded Plastic Vanguard Manifold Cover Complete | \$193 |
| 2. C-1648-000 | Power Supply | \$311 |
| 3. KA18028-020 | 75ft PVC Cable, #22 AWG, 4 Conductor for Vanguard | \$232 |
| KA18028-021 | 75ft Teflon Cable #22 AWG, 4 Conductor for Vanguard | \$431 |
| KA18028-000 | PVC Cable, #22 AWG, 4 Conductor for Vanguard - PER FOOT-CUSTOM LENGTH | \$4/ft. |
| KA18028-001 | Teflon Cable, #22 AWG, 4 Conductor for Vanguard - PER FOOT-CUSTOM LENGTH | \$5/ft. |
| 3a. KA11657-000 | Terminal Block | \$40 |
| 4. B-1811-000 | Concealed Interconnect Assembly for Wall Alarm | \$214 |
| 5. 5700-EZ | Cable Assembly | \$84 |
| 7. A-2522-000 | Signal Interconnect Assembly for Desk Alarm | \$218 |
| 8a. A-3381-001 | Vanguard Manifold PC Board Assembly Only(model "A" only) | \$1,098 |
| 8b. A-3381-003 | Vanguard Manifold PC Board Assembly Only (model No & NOHF & NOHF-1) | \$1,066 |
| PA-514-000 | Oxygen Pipeline Label, vinyl | \$3 |
| PA-515-000 | Nitrous Oxide Pipeline Label, vinyl | \$3 |
| C-1440-001 | 9000-2 Vanguard Zone Valve Pressure Switch Assembly | \$792 |
| 5700-100P | 100' Plenum Modular Cable | \$418 |
| 9000-FACEPLATE | 9000 – Faceplate Assembly | \$208 |

Matrx Manifold Retrofit Elbows

| | | |
|------------|------------------------|------|
| B-5496-000 | N ₂ O Elbow | \$90 |
| B-5497-000 | O ₂ Elbow | \$90 |

See page 32 for additional Vanguard Manifold parts.

Sentinel Manifold and Zone Valve Parts



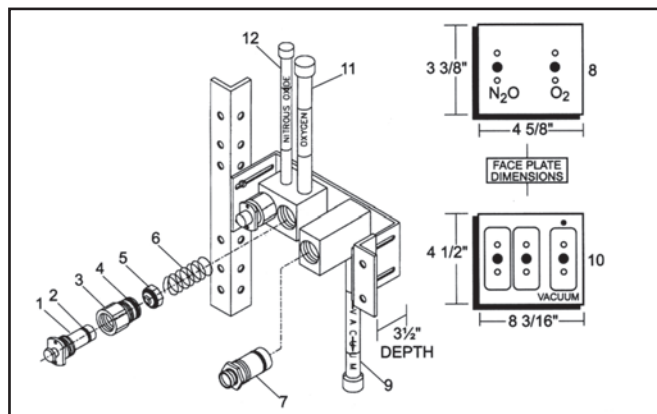
| STOCK NO. | DESCRIPTION | |
|----------------|---|-------|
| A. PA-1433-000 | O ₂ Gauge, 0-150 psi | \$93 |
| B. PA-1433-001 | N ₂ O Gauge, 0-150 psi | \$93 |
| C. B-1322 | O ₂ DISS Check Valve Assembly | \$102 |
| D. B-1323 | N ₂ O DISS Check Valve Assembly | \$102 |
| E. B-1324 | Pressure Relief Valve Assembly | \$129 |
| F. C-394-000 | Pressure Switch Assembly | \$347 |
| G. A-2144 | DISS/Copper Pigtails (straight) | \$173 |
| | Oxygen-1/2 O.D. copper x DISS O ₂ female | |
| | Nitrous Oxide- 3/8 O.D. copper x DISS N ₂ O female | |
| H. A-2041 | Sentinel Interconnect Board Assembly | \$111 |
| I. D-160-PL | Molded Plastic 3222MX Cover | \$91 |
| 5775 | 75' Sentinel Modular Connector Cable(standard) | \$220 |
| 5700-150 | 150' Sentinel Modular Connector Cable(special order) | \$297 |
| 5700-200 | 200' Sentinel Modular Connector Cable(special order) | \$335 |
| 5700-100P | 100' Plenum Modular Connector Cable (custom – no returns) | \$418 |
| 1. C-1783-000 | Power Supply for Wall Sentinel | \$206 |
| 2. C-1783-001 | Power Supply for Desk Sentinel | \$206 |
| 3. A-2083 | Modular Cable Connector Box | \$229 |
| PA-636 | Sentinel Light Bulb All Glass | \$9 |
| PA-571 | Sentinel Light Bulb Old Bayonet Style | \$14 |
| C-1440-000 | Sentinel Zone Valve Pressure Switch Assembly | \$792 |
| 9000-FACEPLATE | 9000 – Faceplate Assembly | \$208 |

Outlet Station Replacement Parts

For Models 6100-1, 6200-1, 6300-1, 6256-1, 6256-3, 6258-1, 6255-1

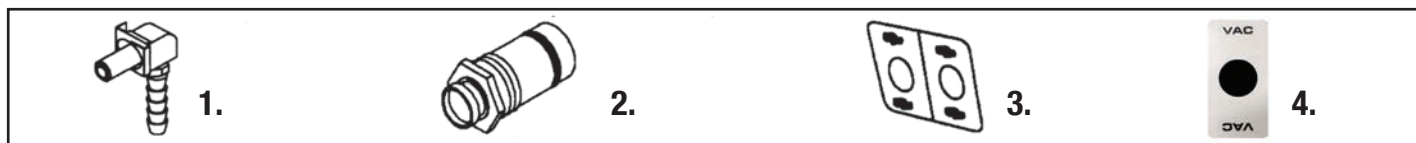
PORTER Instrument advises replacing both N₂O and O₂ check valves when servicing Outlet Stations.

Numbers 3 through 6 represent the Secondary Check Valve Assembly. This valve is only in use when the Primary Check Valve is removed for servicing and will NOT remedy a leaking outlet station.



| STOCK NO. | DESCRIPTION | |
|-----------------|---|--------------|
| 6200K | Outlet Station Repair Kit Includes N₂O, O₂ primary check valves and O-rings for 6200, 6256, 6300 | \$221 |
| 1. *A-1655-A | O ₂ Primary Check Valve Assembly for 6100, 6200, 6256, 6300 | \$112 |
| *A-1655-B | N ₂ O Primary Check Valve Assembly for 6200, 6256, 6300 | \$112 |
| 6200-1K | Outlet Station Repair Kit Includes N₂O, O₂ primary check valves and O-rings for 6200-1, 6256-1, 6256-3, 6300-1, 6258-1, 6255-1 | \$174 |
| 1. A-2689-000 | O ₂ Primary Check Valve Assembly(slotted back) | \$91 |
| A-2690-000 | N ₂ O Primary Check Valve Assembly(slotted back) | \$91 |
| 2. PB-102-104NE | 014 O-ring for O ₂ or N ₂ O Primary Check Valve, outside | \$5 |
| 3. B-2237-000 | O ₂ Cartridge Body | \$45 |
| B-2275-000 | N ₂ O Cartridge Body | \$45 |
| 4. PB-102-215 | 016 O-ring | \$5 |
| 5. A-2699-000 | Secondary Check Valve Assembly with O-ring | \$32 |
| 6. PB-115-63SS | Compression Spring | \$5 |
| 7. B-1231-003 | Vacuum Check Valve Assembly | \$101 |
| A-3356-000 | 5600-3 Vacuum, Face Plate Kit | \$82 |
| 8. B-2568-000 | 6200-1 Dual, Face Plate Kit | \$68 |
| 9. LB-119-000 | Vacuum Pipeline Label | \$3 |
| B-2737-001 | Single O ₂ face Plate Kit (6100-1) | \$106 |
| 10. B-2737-003 | 6256-3 Triple, Face Plate Kit | \$141 |
| B-2737-004 | 6255-1 Triple Face Plate Kit | \$141 |
| B-2737-005 | 6258-1 Faceplate and Screws | \$141 |
| B-2737-006 | 6258-1B Faceplate and Screws | \$137 |
| 11. PA-514-000 | O ₂ Pipeline Label Vinyl | \$3 |
| 12. PA-515-000 | N ₂ O Pipeline Label Vinyl | \$3 |

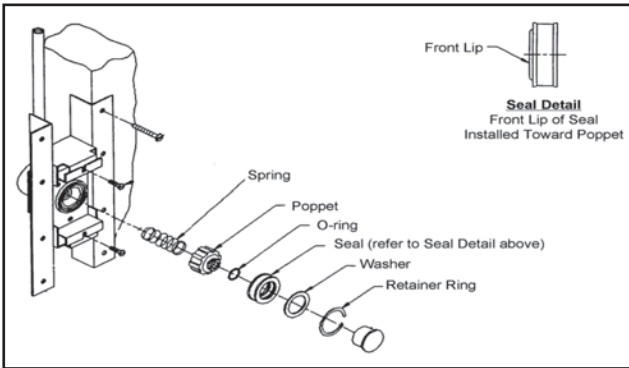
Note: Primary and secondary check valve assemblies marked () above are for outlet stations manufactured prior to February 1986 only.



| | | |
|----------------|--|--------------|
| 5602-RK | In-Line Vacuum to 6256-1 Retrofit Kit includes: | \$264 |
| 1. 5602 | Vacuum Quick Connect | \$169 |
| 2. B-1231-003 | New Notched Vacuum Check Valve Assembly | \$101 |
| 3. LB-169 | O ₂ / N ₂ O Label | \$5 |
| 4. LB-343-000 | Vacuum Label | \$5 |



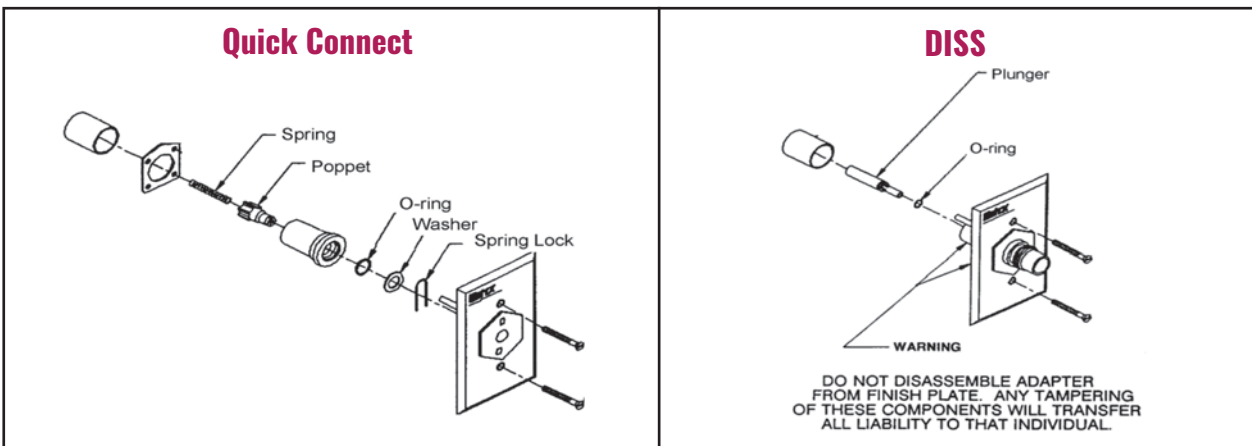
Rough-in Repair Kits for Matrix (Ohio Medical style) Medical Gas Outlets



| REPAIR KIT FOR: | PART NUMBER | PRICE |
|---|-----------------|-------|
| Rough-in Kit for N ₂ O, O ₂ , and Air | 91309044 | \$25 |
| Rough-in Kit for Vacuum (WAGD only) | 91309045 | \$26 |
| Rough-in Kit for N ₂ Only | 91309043 | \$45 |



Finish Plate Repair Kits for Matrix (Ohio Medical style) Q D and DISS Medical Gas Outlets



| PART NUMBER | PRICE |
|---|-------|
| 91309042 | \$16 |
| REPAIR KIT FOR: FINISH PLATE | |
| Quick Connect N ₂ O, O ₂ , Vacuum, WAGD & Air | |

| PART NUMBER | PRICE |
|--|-------|
| 91309046 | \$49 |
| DISS O ₂ | |
| 91309047 | \$47 |
| DISS Vacuum, WAGD | |
| 91309048 | \$63 |
| DISS Air, N ₂ or N ₂ O | |

Porter Reliant Parts

| | | |
|----------------|-----------------------|-------|
| 021008 | Bacterial Filter | \$190 |
| 021206 | Door Gasket | \$190 |
| 0230050 | Cleaning Tablets (10) | \$135 |
| 105320 | Water Filter | \$35 |
| 105321 | Filter Holder | \$91 |
| 105363 | Water Dam – Orange | \$40 |

Reliant and Purity systems have been discontinued. Parts (other than for routine maintenance) subject to availability. Call for more information.

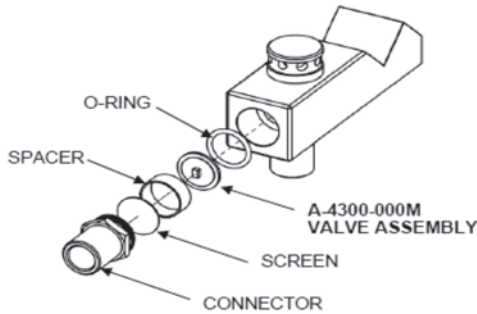
Matrix Non-Rebreathing Valve Replacement And Instructions



Part Number
A-4300-000M

Price
\$49

MDM / RA Bag Tee

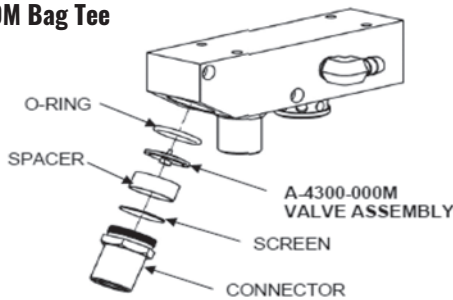


Retrofit Instructions for A-4300-000M Kit

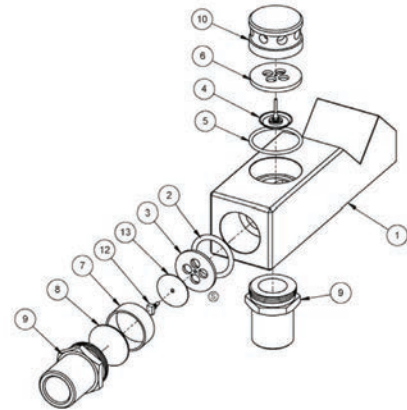
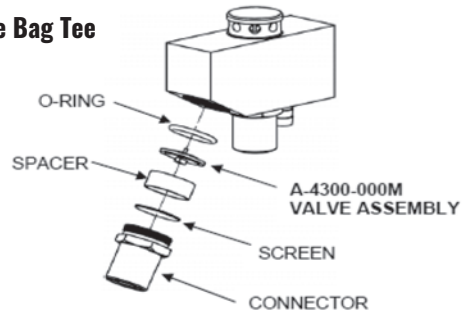
Instructions:

1. Unscrew the connector from the block.
2. Remove the screen, spacer and the old Non-Rebreathing Valve Assembly.
3. Discard the OLD Non-Rebreathing Valve Assembly.
4. Insert new A-4300-000M Valve Assembly. Orientate as shown.
5. Re-Insert Spacer.
6. Re-Insert Screen.
7. Re-Screw in the Connector.

DMDM Bag Tee



Remote Bag Tee



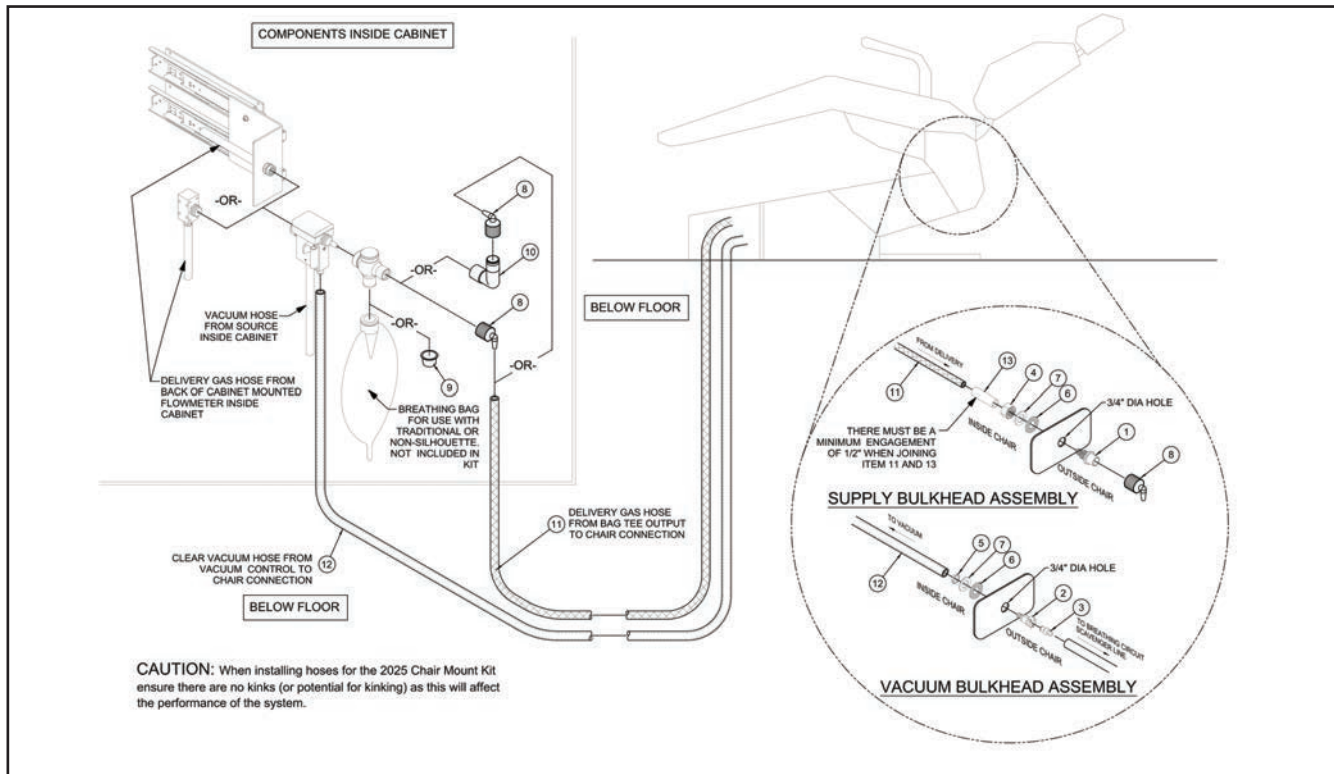
MDM & RA Outlet Housing Spare Parts

| Item # | Part Number | Description | Price |
|------------------------------------|--|--------------------------------------|-------|
| 1 | 30017600 – Complete Housing – includes all parts listed below (1-10) | Outlet Housing | \$294 |
| 2 | 63200129 | O-ring | \$2 |
| Assembly consisting of 3, 12, & 13 | A-4300-000M | Non-Rebreathing (NRB) Valve Assembly | \$49 |
| 4 | 61302500 | Mushroom Valve | \$36 |
| 5 | 63200128 | O-ring | \$2 |
| 6 | 20178602 | Air Inlet Adapter | \$45 |
| 7 | 10431102 | Spacer | \$10 |
| 8 | 65941800 | Screen | \$5 |
| 9 | 10221600 | Breathing Bag & Fresh Gas Connector | \$54 |
| 10 | 20132800 | Air Inlet Valve Cap | \$30 |

Porter 2025 Chair Mount Kit

\$399

Schematic and Parts:




2025 Chair Mount Kit consists of the following:

- | | | | |
|---|------------------------|--|------------------------|
| 1. B-5568-000 Bulkhead Connector | QTY: 1 \$61 | 9. 62905510W Caplug (12), White | QTY: 1 \$15 |
| 2. PA-1633-000 Bulkhead Coupler, Valved (includes PA-1634-000) | QTY: 1 \$37 | 10. 1571-22 Connector (22mm) M/F, 90° Elbow | QTY: 1 \$40 |
| 3. PA-1635-000 Unvalved Nipple | QTY: 1 \$14 | 11. PA-1640-001 Hose, Braided, 5/16" ID, 25' L Hose, Clear w/ White Braid | QTY: 1 \$148 |
| 4. PA-1636-000 Hex Nut, Nylon, 3/4-10 | QTY: 1 \$14 | 12. PA-679-CLR25 Vacuum Tubing, 9/16 OD, 3/8 ID, PVC, Clear, 25' L | QTY: 1 \$135 |
| 5. PA-1634-000 Coupler Nut | QTY: 1 \$14 | 13. A-4484-000 Tubing, 0.625 OD-3/8 ID, Grey, 2" L | QTY: 1 \$13 |
| 6. PA-1637-000 Washer, Sealing, Neoprene | QTY: 2 \$14 ea. | 14. PA-1639-000 Hole Plug, 3/4", White | QTY: 2 \$13 ea. |
| 7. PA-1638-000 Washer, Flat, Nylon | QTY: 2 \$14 ea. | | |
| 8. B-5603-000 Elbow, 22mm x 7mm | QTY: 2 \$7 ea. | | |

Flush Mount Flowmeters Mounted



Portable E-Cylinder System vs. Central System Gas Cost Comparison*

| Cylinder Size | Gas | Cylinder Capacity (Liters) | Cost Per Cylinder | Cost Per Cylinder | Gas Delivery | 1/2 Hour Procedure | | | Total Gas Usage | | Cost | Patients Per Week | Weeks Per Year | Total Procedures | Total Gas Cost |
|---------------|-----|----------------------------|-------------------|-------------------|--------------|--------------------|-----|-----|-----------------|-------------------------------------|--|-------------------|----------------|------------------|----------------|
| | | | | | | Total Minutes | Gas | LPM | Total Gas LPM | Gas | | | | | |
| E | O2 | 625 | \$25.00 | \$0.040 | Pre-O2 | 5 | O2 | 6 | 30 | O2 | 150 | | | | |
| E | N2O | 1590 | \$45.00 | \$0.028 | Procedure | 30 | N2O | 3 | 90 | N2O | 90 | | | | |
| | | | | | Procedure | 30 | O2 | 3 | 90 | | | | | | |
| | | | | | Post-O2 | 5 | O2 | 6 | 30 | E Cylinder Tank 1/2 Hr Procedure | \$8.55 | 10 | 50 | 500 | \$4,273.58 |
| | | | | | | | | | | | | 20 | 50 | 1000 | \$8,547.17 |
| H | O2 | 7985 | \$35.00 | \$0.004 | Pre-O2 | 5 | O2 | 6 | 30 | O2 | 150 | | | | |
| H | N2O | 16057 | \$87.00 | \$0.005 | Procedure | 30 | N2O | 3 | 90 | N2O | 90 | | | | |
| | | | | | Procedure | 30 | O2 | 3 | 90 | | | | | | |
| | | | | | Post-O2 | 5 | O2 | 6 | 30 | H Cylinder Tank 1/2 Hr Procedure | \$1.15 | 10 | 50 | 500 | \$572.56 |
| | | | | | | | | | | | | 20 | 50 | 1000 | \$1,145.12 |
| | | | | | | | | | | | 10 Uses Per Week = | Gas Savings | \$3,701.02 | | |
| | | | | | | | | | | | 20 Uses Per Week = | Gas Savings | \$7,402.05 | | |
| | | | | | | | | | | | Gas Cost Difference Per Procedure | | \$7.40 | | |
| | | | | | | | | | | | Central System Office - ROI Example Nitrous Fee \$ 50.00 Revenue \$ 50,000 Profit \$ 48,855 Nitrous Fee \$ 75.00 Revenue \$ 75,000 Profit \$ 73,855 | | | | |
| | | | | | | | | | | | Insurance Billing Code: D9230 | | | | |
| | | | | | | | | | | |  | | | | |



The Trusted Name In Nitrous

Porter Instrument 215-723-4000
 www.PorterInstrument.com/dental
 245 Township Line Rd
 Hatfield, PA 19440
 porternitrous@parker.com

*Disclaimer:
 Cost per cylinder may vary. Above pricing does not take into consideration additional delivery and rental fees.
 Gas delivery protocol is an example only. Individual practitioner must determine proper administration protocol.

Insurance Billing Code: D9230



FLUSH MOUNT
FLOWMETERS

UPRIGHT
FLOWMETERS

ORAL
SURGERY

MANIFOLD
SYSTEMS

OUTLETS
AND HOSES

BREATHING
CIRCUITS

MISCELLANEOUS
PARTS

PORTER

NITROUS SYSTEMS

The Trusted Name In Nitrous

Porter Instrument

245 Township Line Rd. Hatfield, PA 19440

Phone: 215-723-4000 or 888-723-4001

Fax: 215-723-5106

Email: porternitrous@parker.com

Website: www.PorterInstrument.com/dental

