

# PORTER

The Trusted Name In Nitrous

# Dental Products Catalog

Effective February 1, 2025



Phone: 888-723-4001

Web: [www.porterinstrument.com/dental](http://www.porterinstrument.com/dental)

**Parker** | Porter

# PORTER INSTRUMENT

Featuring

## Porter and Matrix Brands



### Repair and Trade In Programs

All current model flowmeters under 20 years of age and E-stands under 15 years of age can be repaired. Contact Porter Customer Service or your Dental Dealer for information.

#### Repair Qualifying Serial Number Ranges:

##### Porter Model Flowmeters

- 1000 No repairs
- 1100 Serial Numbers **1100** and higher
- 2000 **No repairs**
- 2000-OS No repairs
- 2050/2055 No repairs
- 2065 No repairs
- 2065W All Serial Numbers **3899** and higher
- 3000 All Serial Numbers **9700** and higher
- 3000-OS Serial Numbers **1007** and higher
- 3065W All Serial Numbers
- 4065 All Serial Numbers
- 6465 All Serial Numbers

##### Matrix Model Flowmeters

- MDM Model **94500150** – **37330** and higher  
Model **94500011** – **37015** and higher
- RA No repairs
- DMDM Black Faceplate – No repairs
- DMDM White Faceplate – **1000** and higher

#### Manifold Systems

- MXV No repairs – call for trade in
- Matrix No repairs – call for trade in
- Vanguard Call
- Sentinel Call

#### E-Stand Mobile Carts

- 2045E No repairs
- 2045-1 No repairs
- 2045-2 No repairs
- 2045-3 Serial Numbers **2043-1000** and higher
- 2045-3CA Serial Numbers **204C-1000** and higher
- 2045-3ISO Serial Numbers **201S-1000** and higher

#### Trade In Program

- Any brand flowmeter (Porter, Matrix, Accutron, Belmed, A-dec, Veriflo, McKesson, etc) qualify
- Any condition
- \$600 Retail credit towards purchase of any Porter or Matrix flowmeter. Cannot combine with any other offer.
- Contact Porter for more information

All returns must be assigned an ATR number by Porter customer service.

Contact Porter: 215-723-4000 or porternitrous@parker.com

# Table Of Contents

<b>FLUSH MOUNT FLOWMETERS</b>	<b>4-14</b>	<b>OUTLETS AND HOSES</b>	<b>38-41</b>
Porter Midas	6-7	Porter Quick Connect Outlet Stations	38
Porter MXR-D	8-9	Matrx Quick Connect and DISS Style Outlets	39
Porter MXR-1	10-11	Hoses and Quick Connects	40
Porter Digital MDM	12-13	Vacuum Hoses and Vacuum Quick Connects	41
Porter Chair Mount Options	14		
<b>UPRIGHT FLOWMETERS</b>	<b>15-26</b>	<b>BREATHING CIRCUITS AND NASAL HOODS*</b>	<b>42-50</b>
Porter Midas	16-17	Silhouette Low Profile Nasal Mask	42-43
Porter MXR	18-19	Porter Breathing Circuits and Vacuum Control	44
Porter Sentry Sedate	20-21	Porter Nasal Hoods	45
Matrx MDM	22	Porter Breathing Circuit Accessories And Parts	46-47
Porter Standard	23	Matrx Breathing Circuits, Nasal Hoods, and Vac Control	48
Upright Flowmeter Mount Options	24	Matrx Scavenger Parts	49
Mobile Cart Options	25	Matrx DynoMite Single-Use Nasal Hoods	50
Porter MXR Mounting Examples	26		
<b>ORAL SURGERY SYSTEMS / OXYGEN THERAPY</b>	<b>27-33</b>	<b>MISCELLANEOUS PARTS</b>	<b>51-61</b>
Porter Midas Oral Surgery Flowmeter	27	MXR, Standard Flowmeter and AVS Parts	51
Porter Oral Surgery Flowmeter and Accessories	28	E-Stand and Mobile Cart Parts	52
Porter Oral Surgery Accessories	29	Flush Mount Flowmeter Accessories	53
Matrx Oral Surgery Packages and Accessories	30	Vanguard Manifold and Zone Valve Parts	54
Surgical Suction and Recovery Room	31	Sentinel Manifold and Zone Valve Parts	55
Oxygen Therapy and Emergency Oxygen	32	Outlet Station Replacement Parts	56
Tank Room Layout	33	Rough-in Repair Kits	57
<b>MANIFOLD SYSTEMS</b>	<b>34-37</b>	Matrx Non-Rebreathing Valve Replacement & Instr.	58
Vanguard Manifold Systems	34	Porter 2025 Chair Mount Kit	59
Sentinel Manifold Systems	35	Flush Mount Flowmeters Mounted	60
Nitrogen Manifold and Accessories	36	Gas Cost Comparison Chart	61
Manifold and Zone Valve Application Layout	37		

# Flush and Surface Mount Flowmeters

Porter Instrument offers the most complete selection of Flush Mount flowmeters in the dental industry, resulting in a perfect flowmeter solution for every office.

## Porter Midas™ Digital Touchscreen: *Technology & innovation at your fingertip (pg. 6)*

- Intuitive and easy to use touchscreen technology
- Touch and Slide™ flow and concentration controls
- Procedure Log, Security Pin, Gas Remaining feature – and so much more!



## Porter MXR-D: *Unique, hybrid digital and analog technology! (pg. 8)*

- Advanced technology - the only flowmeter to combine both Digital and Analog features
- LED digital display and analog glass flow tubes
- Brightly lit display and real time flow visualization



## Porter MXR-1: *Built for precision and reliability! (pg. 10)*

- The gold standard for nitrous oxide delivery systems
- Precision analog glass flow tubes
- Built for reliability and durability



## Porter Digital MDM: *The smallest flowmeter faceplate in the industry! (pg. 12)*

- The perfect solution when space is limited
- Remote digital faceplate control panel for easy installation
- Multiple mounting options





# Flush and Surface Mount Flowmeters

## Why choose “Flush-Mount” flowmeters vs. “E-Cylinder Portable”?

- Ergonomics
- Ease of use
- Readiness for use
- Aesthetics
- Free up floor space
- Cost of use  
(save >\$6 per patient on gas cost alone)
- See page 61 for cost savings example

## How to get started:

- Select a flush mount flowmeter package
- Select a Bag Tee mounting option (if necessary)
- Select a Manifold (and Zone Valve if required)
- For early construction order Pre-Install Kits for ALL operatories - including future operatories

See additional flush mount installations on page 60.



# Porter Midas™ Cabinet Mount Flowmeter

## Package Options:

**A**

### 7465C-AV Package

- Porter Midas Flowmeter
- eAVS-5000
- Porter Breathing Circuit
- 5' O<sub>2</sub> and N<sub>2</sub>O DISS-to-DISS Hoses
- Pre-Install Kit

**B**

### 7465C Package

- Porter Midas Flowmeter
- In-Line Vacuum Control
- Porter Breathing Circuit
- 5' O<sub>2</sub> and N<sub>2</sub>O DISS-to-DISS Hoses
- Pre-Install Kit

Add “-S” to the end of a part number to receive the package with Silhouette in lieu of the 5155 breathing circuit.

Example: 7465C-AV-S



- Intuitive touchscreen technology
- Touch and Slide™ controls
- Compact size
- Simple installation
- Procedure data log
- eAVS scavenging technology
- Security pin feature
- Gas used / remaining feature

Touchscreen Dimensions: 9.2” W x 5.3” H x 1.5” D  
 Control Module Dimensions: 6.8” W x 3.86” H x 7.35” D  
 Weight (not including eAVS or Bag Tee): 4.95 lbs

**7000C Porter Midas Flowmeter and Power Supply \$5,974**

**A 7465C-AV Porter Midas Flowmeter w/ eAVS Package \$8,000**

Porter Midas Flowmeter w/ eAVS Vacuum Control, 5155-3 Breathing Circuit, 8005 O<sub>2</sub> and 8505 N<sub>2</sub>O DISS to DISS 5ft hoses, and B-2460-KIT Pre-Install Kit

• **7465C-AV-P** Includes 5155-4 Pedo Breathing Circuit .....\$8,000

**7465C-AV-LPI .....\$7,660**

Porter Midas Flowmeter w/ eAVS Vacuum Control, 5155-3 Breathing Circuit, 8005 O<sub>2</sub> and 8505 N<sub>2</sub>O DISS to DISS 5ft hoses, Less Pre-Install Kit

• **7465C-AV-P-LPI** Includes 5155-4 Pedo Breathing Circuit .....\$7,660

**B 7465C Porter Midas Flowmeter w/ In-Line Vacuum Control Package \$7,000**

Porter Midas Flowmeter w/ eAVS Vacuum Control, 5155-1 Breathing Circuit, 8005 O<sub>2</sub> and 8505 N<sub>2</sub>O DISS to DISS 5ft hoses, and B-2460-KIT Pre-Install Kit

• **7465C-P** Includes 5155-2 Pedo Breathing Circuit.....\$7,000

**7465C-LPI .....\$6,660**

Porter Midas Flowmeter w/ In-Line Vacuum Control, 5155-1 Breathing Circuit, 8005 O<sub>2</sub> and 8505 N<sub>2</sub>O DISS to DISS 5ft hoses, Less Pre-Install Kit

• **7465C-P-LPI** Includes 5155-2 Pedo Breathing Circuit.....\$6,660

**C B-2460-KIT \$350**

### PRE-INSTALL KIT

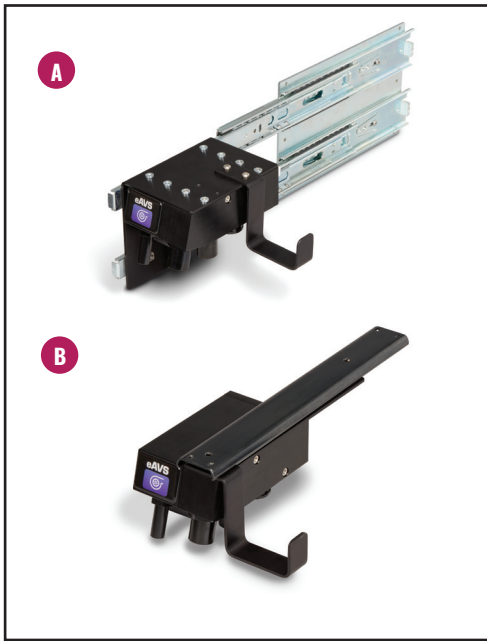
Includes oxygen and nitrous oxide DISS-piped outlet connections with check valves.

*\*If ordering in advance of flowmeter packages add LPI (Less Pre-Install) to future flowmeter package order – example: 4465C-LPI.*

**Order Pre-Install Kits to outfit future nitrous operatories.**

**SEE NEXT PAGE TO SELECT BAG TEE MOUNTING OPTION (NOT INCLUDED IN ABOVE PACKAGES)**

# Porter Midas™ Cabinet Mount Flowmeter (Continued)

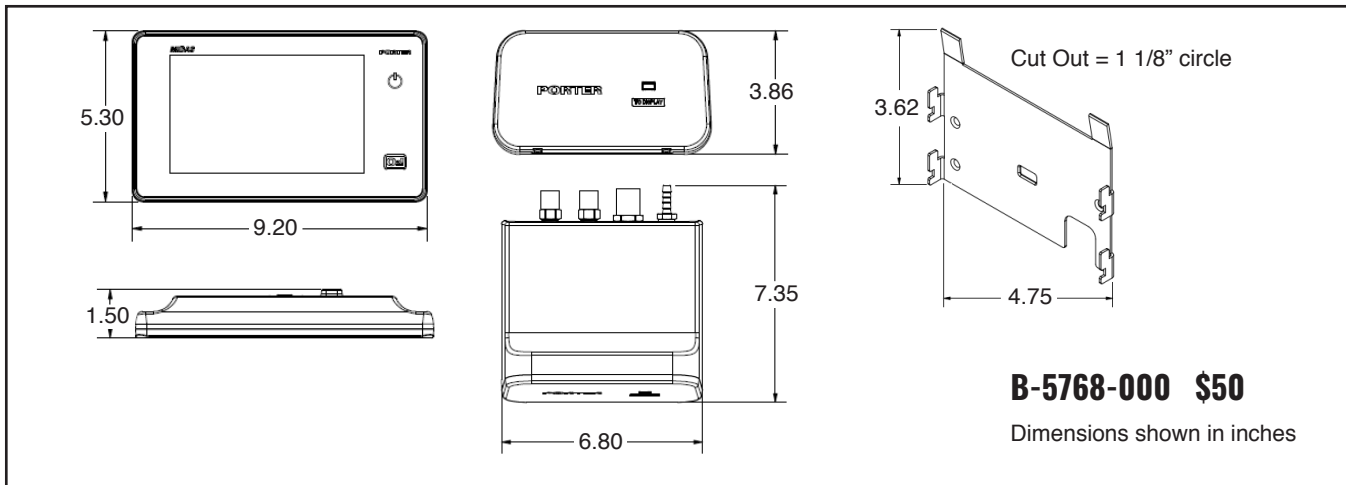


All products listed below are not part of any flowmeter “package” and must be ordered separately.

**A 2036-M** **\$587**  
**PORTER MIDAS LEFT OR RIGHT SLIDE MOUNT**

**B 2037-M** **\$587**  
**PORTER MIDAS UNDER COUNTER SLIDE MOUNT**

Chair Mount Kits – see page 14.





# Porter MXR-D Flush Mount Flowmeter

## Package Options:

**A**

### 4465C-AV Package

- MXR-D Flowmeter
- AVS-5000
- Porter Breathing Circuit
- A-1679 Bag Tee Mount
- 8' O<sub>2</sub> and N<sub>2</sub>O DISS-to-DISS Hoses
- Pre-Install Kit

**B**

### 4465C Package

- MXR-D Flowmeter
- In-Line Vacuum Control
- Porter Breathing Circuit
- A-1679 Bag Tee Mount
- 8' O<sub>2</sub> and N<sub>2</sub>O DISS-to-DISS Hoses
- Pre-Install Kit



## Our most advanced digital flowmeter offers:

- The best of both worlds: Analog/Digital combination flowmeter
- Real time flow confirmation with glass flow tubes plus a brightly lit LED screen
- Audible and visual alarms
- Oxygen quick connect conveniently located on the faceplate

Dimensions: 12 19/32" x 4 1/4" x 4 5/16"

Cut-Out Dimensions: 11" x 3 5/8"

Weight: 8 lbs.

**4065D** **\$5,429**

**PORTER MXR-D FLOWMETER ONLY** (power supply not included)

### MXR-D POWER SUPPLY

**A-4243-000** Cabinet Mount **\$421**  
**A-4244-000** Wall Mount **\$1,211**



## For Wall Mount installation:

**B-4988** Wall Bezel.....**\$174**

**A-4244-000** Wall Mount Power Supply – Must Be Substituted

Please contact Porter for wall installation requirements.

**Add "-S" to the end of a part number to receive the package with Silhouette in lieu of the 5155 breathing circuit. Example: 4465C-AV-S**

**A 4465C-AV** **\$8,124**

### PORTER MXR-D WITH AUTOMATIC VACUUM SWITCH PACKAGE

Flowmeter Package includes MXR-D flowmeter, AVS-5000 Vacuum Control, 5155-3AV Breathing circuit, Pre-Install Kit, Bag Tee mount, 8' O<sub>2</sub> and N<sub>2</sub>O DISS-to-DISS hoses, and power supply for cabinet installations

**4465C-AV-LPI** .....**\$7,771**

**B 4465C** **\$7,610**

### PORTER MXR-D WITH IN-LINE VACUUM CONTROL PACKAGE

Package includes: MXR-D flowmeter, 5155-1 Breathing Circuit, Pre-Install Kit, Bag Tee mount, 8' O<sub>2</sub> and N<sub>2</sub>O DISS-to-DISS hoses, and power supply for cabinet installations

**4465C-LPI** .....**\$7,256**

**C B-2460-KIT** **\$350**

### PRE-INSTALL KIT

Includes oxygen and nitrous oxide DISS-piped outlet connections with check valves.

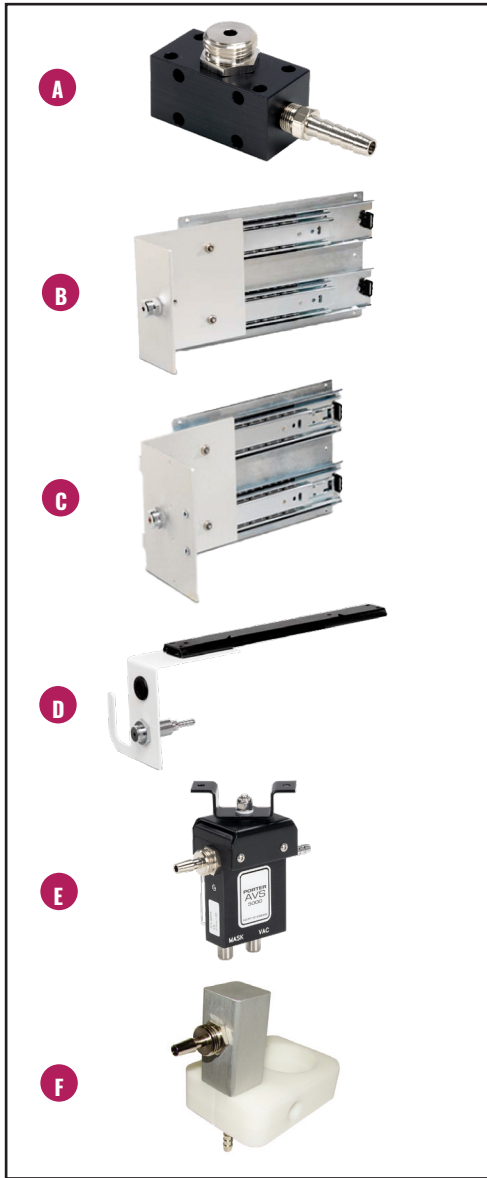
*\*If ordering in advance of flowmeter packages add LPI (Less Pre-Install) to future flowmeter package order – example: 4465C-LPI.*

**Order Pre-Install Kits to outfit future nitrous operatories.**

**SEE NEXT PAGE TO SELECT BAG TEE MOUNTING OPTION (NOT INCLUDED IN ABOVE PACKAGES)**



# Porter MXR-D Flowmeter Bag Tee Mounts



With the exception of A-1679 (Bag Tee Mount) – all products listed below are not part of any flowmeter “package” and must be ordered separately.

**A A-1679** **\$221**  
**BAG TEE MOUNT**  
 (Included with all packages)

**B 2036-4** **\$587**  
**LEFT OR RIGHT SIDE SLIDE MOUNT**  
 3-1/2” wide for narrow installs

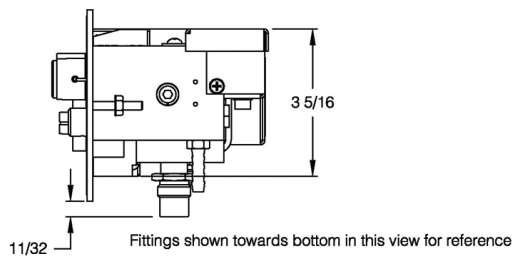
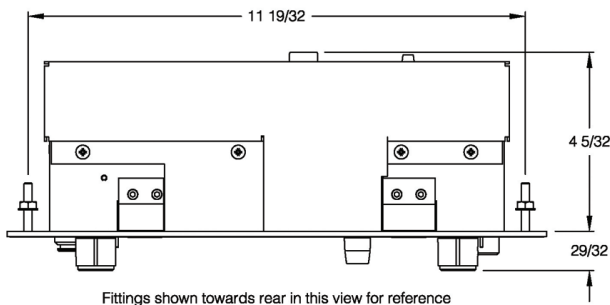
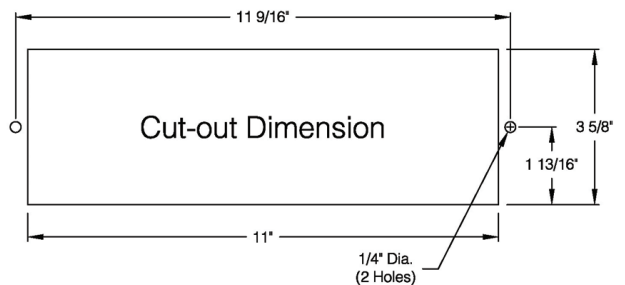
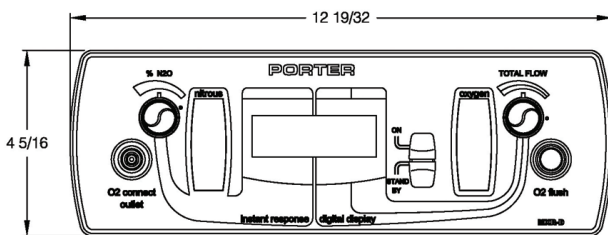
**C 2036-2** **\$587**  
**LEFT OR RIGHT SIDE SLIDE MOUNT**  
 5” wide with rubber goods hook mounting option

**D 2037-1** **\$590**  
**UNDER COUNTER SLIDE MOUNT**

**E AVS-5000S** **\$781**  
**AVS UNDER COUNTER/CHAIR SWIVEL MOUNT**

**F 5335** **\$666**  
**CHAIR/LIGHT POST MOUNT (Bag Tee or AVS)**

Chair Mount Kits – see page 14.



# Porter MXR-1 Flush Mount Flowmeter

## Package Options:

**A**

### 3465C-AV Package

- MXR-1 Flowmeter
- AVS-5000
- Porter Breathing Circuit
- A-1679 Bag Tee Mount
- 8' O<sub>2</sub> and N<sub>2</sub>O DISS-to-DISS Hoses
- Pre-Install Kit

**B**

### 3465C Package

- MXR-1 Flowmeter
- In-Line Vacuum Control
- Porter Breathing Circuit
- A-1679 Bag Tee Mount
- 8' O<sub>2</sub> and N<sub>2</sub>O DISS-to-DISS Hoses
- Pre-Install Kit



**For Wall Mount installation:**  
**B-4988** Wall Bezel.....\$174

Add “-S” to the end of a part number to receive the package with Silhouette in lieu of the 5155 breathing circuit.  
 Example: 3465C-AV-S



## Our most popular analog flush mount flowmeter offers:

- The “gold standard” in nitrous oxide delivery
- Precision glass flow tubes for real time visualization & confirmation of gas flow
- Built for reliability and durability
- Oxygen quick connect conveniently located on flowmeter faceplate

Dimensions: 12 19/32” x 4 1/4” x 4 5/16”

Cut-Out Dimensions: 11” x 3 5/8”

Weight: 6.5 lbs.

**3065W**

**\$4,607**

### PORTER MXR-1 FLOWMETER ONLY

**A**

**3465C-AV**

**\$6,859**

### PORTER MXR-1 WITH AUTOMATIC VACUUM SWITCH PACKAGE

Flowmeter package includes: MXR-1 flowmeter, AVS-5000 Vacuum Control, 5155-3AV Breathing circuit, Pre-Install Kit, Bag Tee mount, 8' O<sub>2</sub> and N<sub>2</sub>O DISS-to-DISS hoses

**3465C-AV-LPI** .....

**\$6,509**

**B**

**3465C**

**\$6,350**

### PORTER MXR-1 WITH IN-LINE VACUUM CONTROL PACKAGE

Package includes: MXR-1 flowmeter, 5155-1 Breathing circuit, Pre-Install Kit, Bag Tee mount, 8' O<sub>2</sub> and N<sub>2</sub>O DISS-to-DISS hoses

**3465C-LPI** .....

**\$6,000**

**C**

**B-2460-KIT**

**\$350**

### PRE-INSTALL KIT

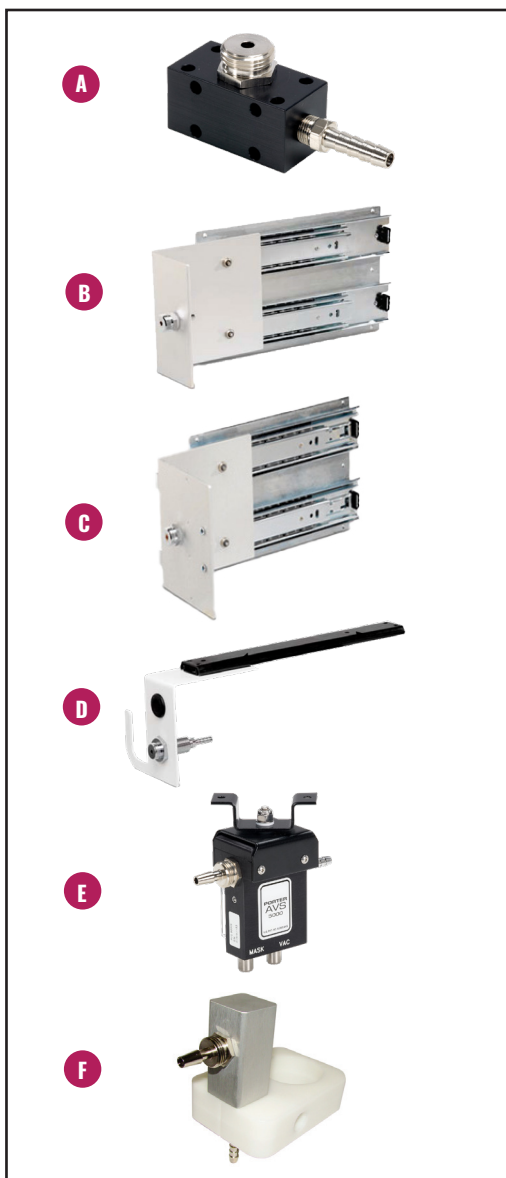
Includes oxygen and nitrous oxide DISS-piped outlet connections with check valves.

*\*If ordering in advance of flowmeter packages add LPI (Less Pre-Install) to future flowmeter package order – example: 4465C-LPI.*

### Order Pre-Install Kits to outfit future nitrous operatories.

SEE NEXT PAGE TO SELECT BAG TEE MOUNTING OPTION (NOT INCLUDED IN ABOVE PACKAGES)

# Porter MXR-1 Flowmeter Bag Tee Mounts



With exception of A-1679 (Bag Tee Mount) – all products listed below are not part of any flowmeter “package” and must be ordered separately.

**A A-1679 BAG TEE MOUNT** **\$221**  
(Included with all packages)

**B 2036-4 LEFT OR RIGHT SIDE SLIDE MOUNT** **\$587**  
3-1/2” wide for narrow installs

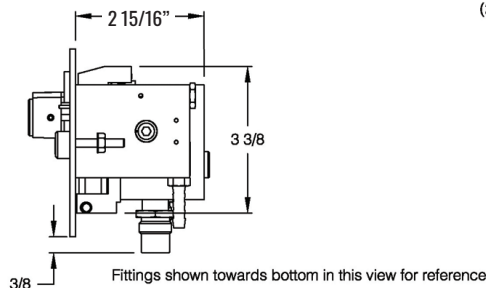
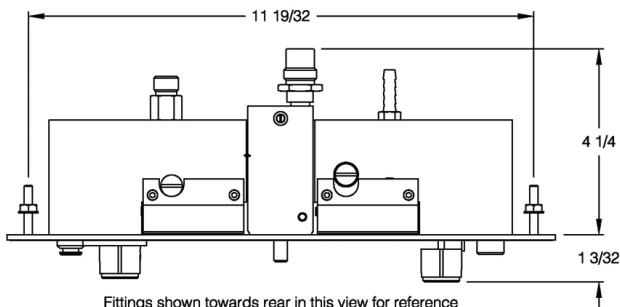
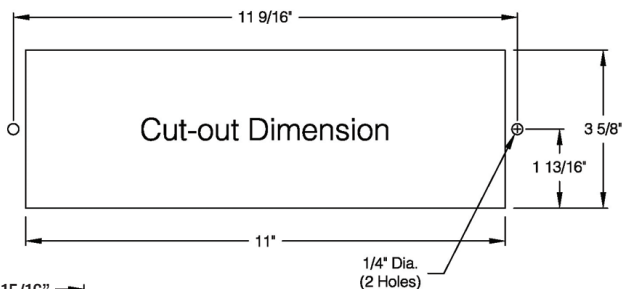
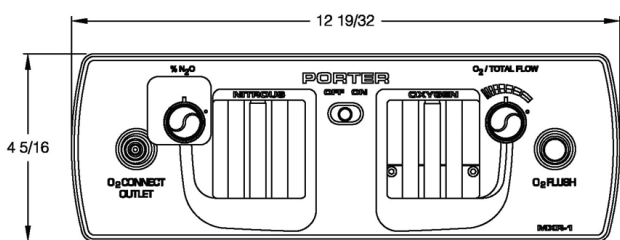
**C 2036-2 LEFT OR RIGHT SIDE SLIDE MOUNT** **\$587**  
5” wide with rubber goods hook mounting option

**D 2037-1 UNDER COUNTER SLIDE MOUNT** **\$590**

**E AVS-5000S** **\$781**  
AVS UNDER COUNTER / CHAIR SWIVEL MOUNT

**F 5335** **\$666**  
CHAIR/LIGHT POST MOUNT (Bag Tee or AVS)

Chair Mount Kits – see page 14.



# Porter Digital MDM Flush Mount Flowmeter

## Package Options:

**A**

### 6465C-AV Package

- Digital MDM Flowmeter
- AVS-5000
- Porter Breathing Circuit
- A-1679 Bag Tee Mount
- 5' O<sub>2</sub> and N<sub>2</sub>O DISS-to-DISS Hoses
- Pre-Install Kit

**B**

### 6465C Package

- Digital MDM Flowmeter
- In-Line Vacuum Control
- Porter Breathing Circuit
- A-1679 Bag Tee Mount
- 5' O<sub>2</sub> and N<sub>2</sub>O DISS-to-DISS Hoses
- Pre-Install Kit

Order Pre-Install Kits to outfit future nitrous operatories.

SEE NEXT PAGE TO SELECT BAG TEE MOUNTING OPTION (NOT INCLUDED IN ABOVE PACKAGES)

Add "-S" to the end of a part number to receive the package with Silhouette in lieu of the 5155 breathing circuit.  
Example: 6465C-AV-S



## The smallest flush mount flowmeter in the industry!

- Measures only 8" by 3"!
- Simple to install with multiple options including Mounting Kit for Flush, Surface, Wall, or Under Counter/Hutch
- Brightly lit digital display and digital flowtubes
- Audible alarms

Faceplate Dimensions: 7 7/8" x 2 3/4" x 1 1/4"

Control Module Dimensions: 8" x 3" x 5 5/8"

Cut-Out Dimensions: 8" x 3" or 2" Circle (Surface Mount)

Weight: 4.5 lbs

**40152601 PORTER DIGITAL MDM FLOWMETER ONLY \$4,938**  
(Does not include bag tee or power supply)

**20150000 DIGITAL MDM POWER CORD ONLY \$117**

**A 6465C-AV \$7,158**

### PORTER DIGITAL MDM

#### W/ AUTOMATIC VACUUM SWITCH PACKAGE

Package includes: Porter Digital MDM flowmeter, 5155-3AV Breathing Circuit w/ AVS-5000 vacuum control, Pre-Install Kit, Bag Tee mount, 5' O<sub>2</sub> and N<sub>2</sub>O DISS-to-DISS hoses, and power supply

**6465C-AV-LPI .....\$6,805**

**6465C-AV-P .....\$7,158**

**6465C-AV-P-LPI .....\$6,805**

Same package as "A" – but substitutes Porter Pedo Breathing Circuit

**B 6465C \$6,641**

### PORTER DIGITAL MDM W/ IN-LINE VACUUM CONTROL

Package includes: Porter Digital MDM flowmeter, 5155-1 Breathing Circuit, Bag Tee mount, 5' O<sub>2</sub> and N<sub>2</sub>O DISS-to-DISS hoses, and power supply

**6465C-LPI .....\$6,288**

**6465C-P .....\$6,641**

**6465C-P-LPI .....\$6,288**

Same package as "B" – but substitutes Porter Pedo Breathing Circuit

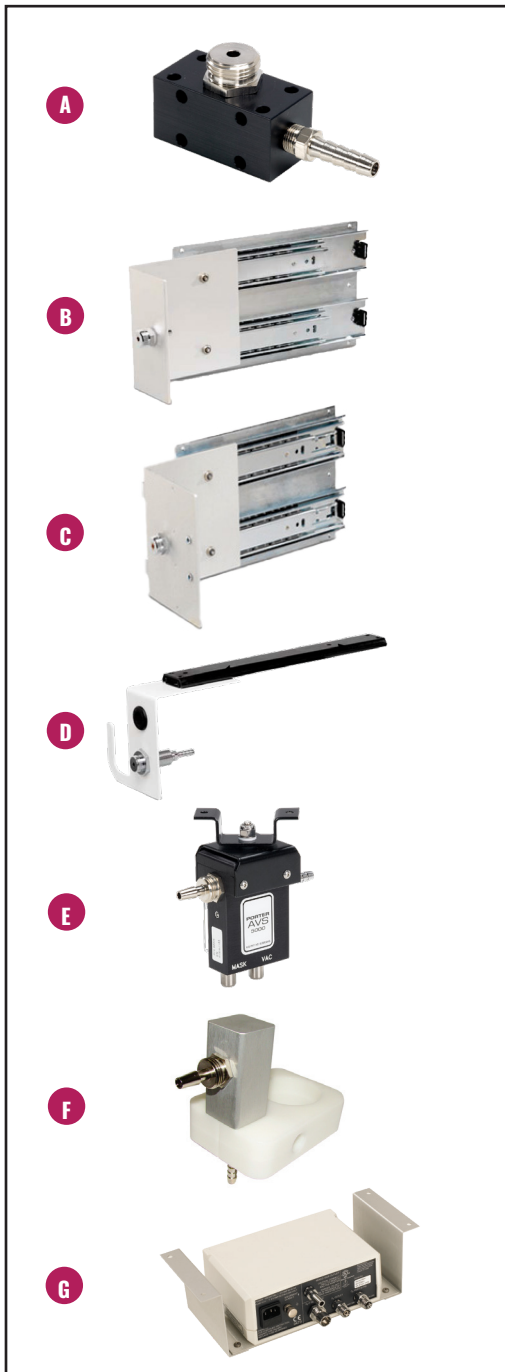
**C B-2460-KIT PRE-INSTALL KIT \$350**

Includes oxygen and nitrous oxide DISS-piped outlet connections with check valves.

*\*If ordering in advance of flowmeter packages add LPI (Less Pre-Install) to future flowmeter package order – example: 6465C-AV-LPI.*



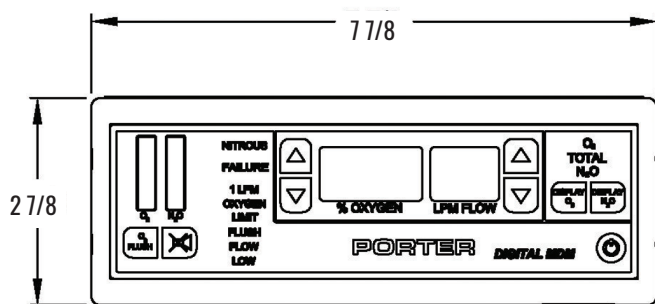
# Porter Digital MDM Flowmeter Bag Tee Mounts



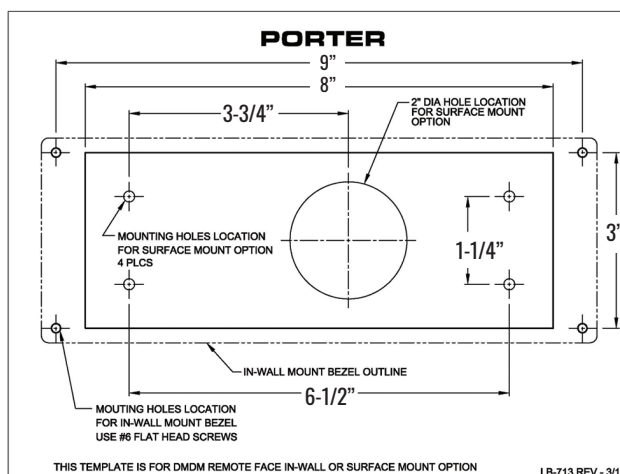
With exception of A-1679 (Bag Tee Mount) – all products listed below are not part of any flowmeter “package” and must be ordered separately.

- A A-1679 BAG TEE MOUNT** **\$221**  
(Included with all packages)
- B 2036-4 LEFT OR RIGHT SIDE SLIDE MOUNT** **\$587**  
3-1/2” wide for narrow installs
- C 2036-2 LEFT OR RIGHT SIDE SLIDE MOUNT** **\$587**  
5” wide with rubber goods hook mounting option
- D 2037-1 UNDER COUNTER SLIDE MOUNT** **\$590**
- E AVS-5000S** **\$781**  
AVS UNDER COUNTER / CHAIR SWIVEL MOUNT
- F 5335** **\$666**  
CHAIR/LIGHT POST MOUNT (Bag Tee or AVS)
- G B-5555-002 PORTER DIGITAL MDM Z BRACKET** **\$68**  
For under counter control module mounting
- H B-5555-000 FACEPLATE MOUNTING KIT** **\$68**
- I B-5555-001 UNDER COUNTER FACEPLATE MOUNTING KIT** **\$68**

Chair Mount Kits – see page 14.



1 1/4” D (without data cable)



# Porter Chair Mount Options

## MOUNT MIXED GAS AND VACUUM LINE CONNECTIONS TO YOUR CHAIR



Chair Mount Kit Part Numbers		Porter Midas Chair Mount Kits	
<b>CMK-A-300-400</b>	\$995	<b>CMK-A-300-400-M</b>	\$400
Adec 300/400		ADEC 300/400	
<b>CMK-A-500</b>	\$995	<b>CMK-A-500-M</b>	\$400
Adec 511 Series		ADEC 500	
<b>CMK-D-5000</b>	\$995	<b>CMK-D-5000-M</b>	\$400
DCI Series 4 and 5		DCI 5000	
<b>CMK-Royal-A</b>	\$995	<b>CMK-F-3800-M</b>	\$400
Royal Alliant		FOREST 3800	
<b>CMK-Royal</b>	\$995	<b>CMK-F-3900-M</b>	\$400
Royal Signet, R16, PD2, GP2 and RS1		FOREST 3900	
<b>CMK-F-3800</b>	\$995	<b>CMK-F-6400-M</b>	\$400
Forest 3800		FOREST 6400	
<b>CMK-F-3900</b>	\$995	<b>CMK-ROYAL-M</b>	\$400
Forest 3900		ROYAL 2210, R16, GP2	
<b>CMK-F-6400</b>	\$995	<b>CMK-ROYAL-A-M</b>	\$400
Forest 6400		ROYAL ALLIANT	
<b>*When ordering flush mount package, order without AVS.</b>		<b>*Order Porter Midas flowmeter package WITH eAVS.</b>	

2025 (this is the part number) Chair Mount Kit Basic (Bag Tee in Cab) \$399  
 See page 59 for more information.

# Upright Flowmeters

**It's easy to get started with an upright nitrous oxide system:**

- Select Flowmeter package with mounting option
- For “Centrally plumbed” offices:
  - Select Manifold (and Zone Valve, if required) – see pages 34-35
  - Add Outlets and Hoses – see pages 38-40
  - Select additional Nasal Hoods / Silhouette – see pages 42-50



**Porter Midas™ Digital Touchscreen Flowmeter:**  
(page 16)  
Intuitive touchscreen technology at your fingertip



**Porter MXR Flowmeter (page 18):**  
The gold standard for nitrous delivery




**Sentry Sedate (page 20):**  
Portable, enclosed 4-cylinder lockable system



**Matrx MDM Flowmeter (page 22)**  
The only analog flowmeter with auto-compensation



**Standard Flowmeter (pg 23)**



**Oral Surgery Flowmeters & Accessories (pg 27)**

# Porter Midas™ Flowmeter

**Package Options:**



**C**  
**2045-3**  
**Tall E-Stand**



**D**  
**2020**  
**Telescoping Wall Arm**



**E**  
**2040**  
**Compact Mobile Stand**

Add “-S” to the end of a part number to receive the package with Silhouette in lieu of the 5155 breathing circuit.  
Example: 7400-AV-S



- Digital touchscreen technology
- Touch and Slide™ for flow and gas percentage control
- Audible notifications
- Procedure data log feature
- Gas used and remaining feature
- iPad remote control through Midas app
- Nitrous pin for added security

Dimensions: 9.2” W x 8.06” H x 8.7” D  
Weight w/o eAVS: 6.15 lbs  
Weight w/ eAVS: 7.75 lbs

**A 7000** **\$5,400**  
**Porter Midas Flowmeter, Bag Tee and Power**

**B.1 7400-AV** **\$6,750**  
**Porter Midas with eAVS Package**

Includes Midas, eAVS Vacuum Control, and 5155-3 Breathing Circuit

**B.2 7400** **\$5,750**

**Porter Midas with In-Line Vacuum Control Package**

Includes Midas, In-Line Vacuum Control, and 5155-1 Breathing Circuit

**C.1 7445-2AV** **\$9,500**

**Porter Midas Tall E-Stand Package w/ eAVS**

Includes Midas, eAVS Vacuum Control, 5155-3 Breathing Circuit, and 2045-3 Tall E-Stand

**C.2 7445-2** **\$8,500**

**Porter Midas Tall E-Stand Package**

Includes Midas, In-Line Vacuum Control, 5155-1 Breathing Circuit, and 2045-3 Tall E-Stand



# Porter Midas Flowmeter (Continued)

<b>D.1 7420-AV</b>	<b>\$7,200</b>
<p><b>Porter Midas Telescoping Wall Arm Package w/ eAVS</b> Includes Midas, eAVS Vacuum Control, 5155-3 Breathing Circuit, and 2020 Telescoping Wall Arm</p>	
<b>D.2 7420</b>	<b>\$6,200</b>
<p><b>Porter Midas Compact Mobile Stand Package</b> Includes Midas, In-Line Vacuum Control, 5155-1 Breathing Circuit, and 2040 Compact Mobile Stand</p>	
<b>E.1 7440-AV</b>	<b>\$7,250</b>
<p><b>Porter Midas Compact Mobile Stand Package w/ eAVS</b> Includes Midas, eAVS Vacuum Control, 5155-3 Breathing Circuit, and 2040 Compact Mobile Stand</p>	
<b>E.2 7440</b>	<b>\$6,250</b>
<p><b>Porter Midas Compact Mobile Stand Package</b> Includes Midas, In-Line Vacuum Control, 5155-1 Breathing Circuit, and 2040 Compact Mobile Stand</p>	



7445-2AV



7440-AV



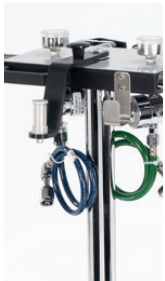
7420-AV

# Porter MXR Flowmeter

## Package Options:



**C**  
**2045-3**  
**Tall E-Stand**



**D**  
**2045-SHORT3**  
**Short E-Stand**



**E**  
**2020**  
**Telescoping Wall Arm**



**F**  
**2035-1**  
**Under Counter Slide Mount**



**G**  
**2036-3**  
**Cabinet Slide Mount**



**H**  
**2040**  
**Compact Mobile Stand**

Add “-S” to the end of a part number to receive the package with Silhouette in lieu of the 5155 breathing circuit.  
Example: 3400AV-S



## The gold standard in nitrous oxide delivery

- Precision glass flow tubes for real-time visualization and confirmation of gas flow
- Built for reliability and durability
- Ergonomic flow and percentage control valves
- Emergency oxygen quick connect conveniently located on the side of the MXR

Dimensions: 5” x 8 1/2” x 5 1/2”  
Weight: 6 lbs

**A 3000** **\$3,713**  
**Porter MXR Flowmeter and Bag Tee Only\***

**B.1 3400AV** **\$4,828**  
**Porter MXR with AVS Package\***

Includes MXR, AVS 5000 Vacuum Control, and 5155-3 Breathing Circuit

**B.2 3400** **\$4,318**  
**Porter MXR with In-Line Vacuum Control Package\***  
Includes MXR, In-Line Vacuum Control, and 5155-1 Breathing Circuit

**C.1 3445-2AV** **\$8,234**  
**Porter MXR Tall E-Stand Package w/ AVS**  
Includes MXR, AVS 5000 Vacuum Control, 5155-3 Breathing Circuit, and Tall E-Stand (telescopes from 32 3/16” to 40 13/32” not including flowmeter).

**C.2 3445-2** **\$7,727**  
**Porter MXR Tall E-Stand Package**  
Includes MXR, In-Line Vacuum Control, 5155-1 Breathing Circuit, and Tall E-Stand (telescopes from 32 3/16” to 40 13/32” not including flowmeter).

**D.1 3445-SAV** **\$8,234**  
**Porter MXR Short E-Stand Package w/ AVS**  
Includes MXR, AVS 5000 Vacuum Control, 5155-3 Breathing Circuit, and Short E-Stand (30 1/2” at lowest position)

**D.2 3445-S** **\$7,727**  
**Porter MXR Short E-Stand Package**  
Includes MXR, In-Line Vacuum Control, 5155-1 Breathing Circuit, and Short E-Stand (30 1/2” at lowest position)

## Porter MXR Flowmeter (Continued)

<b>E.1 3420AV</b>	<b>Porter MXR Telescoping Wall Arm Package w/ AVS*</b>	<b>\$5,392</b>
	Includes MXR, AVS 5000 Vacuum Control, 5155-3 Breathing Circuit, and Telescoping Wall Arm	
<b>E.2 3420</b>	<b>Porter MXR Telescoping Wall Arm Package*</b>	<b>\$4,883</b>
	Includes MXR, In-Line Vacuum Control, 5155-1 Breathing Circuit, and Telescoping Wall Arm	
<b>F.1 3435-1AV</b>	<b>Porter MXR Under Counter Slide Package w/ AVS*</b>	<b>\$5,329</b>
	Includes MXR, AVS 5000 Vacuum Control, 5155-3 Breathing Circuit, and Under Counter Slide Mount	
<b>F.2 3435-1</b>	<b>Porter MXR Under Counter Slide Package*</b>	<b>\$4,817</b>
	Includes MXR, In-Line Vacuum Control, 5155-1 Breathing Circuit, and Under Counter Slide Mount	
<b>G.1 3436AV</b>	<b>Porter MXR Cabinet Slide Mount Package w/ AVS*</b>	<b>\$5,401</b>
	Includes MXR, AVS 5000 Vacuum Control, 5155-3 Breathing Circuit, and Cabinet Slide Mount	
<b>G.2 3436</b>	<b>Porter MXR Cabinet Slide Mount Package*</b>	<b>\$4,893</b>
	Includes MXR, In-Line Vacuum Control, 5155-1 Breathing Circuit, and Cabinet Slide Mount	
<b>H.1 3440AV</b>	<b>Porter MXR Compact Mobile Stand Package w/ AVS*</b>	<b>\$5,436</b>
	Includes MXR, AVS 5000 Vacuum Control, 5155-3 Breathing Circuit, and Compact Mobile Stand	
<b>H.2 3440</b>	<b>Porter MXR Compact Mobile Stand Package*</b>	<b>\$4,925</b>
	Includes MXR, In-Line Vacuum Control, 5155-1 Breathing Circuit, and Compact Mobile Stand	

\*Additional items may be required: Manifold, Outlet Stations, and Hoses.

# Porter Sentry Sedate

## PORTABLE ENCLOSED 4 CYLINDER NITROUS OXIDE AND OXYGEN SYSTEM



**Porter MXR-D Digital / Analog Flowmeter**



**Porter MXR-1 Analog Flowmeter**

### MODELS

- 34 and 44 include 5155-1 Breathing Circuit
- 34AV and 44AV include 5155-3 Breathing Circuit

<b>SENTRY-34</b>	<b>MXR-1 Sentry Sedate</b>	<b>\$10,058</b>
<b>SENTRY-34AV</b>	<b>MXR-1 Sentry Sedate w/ AVS</b>	<b>\$10,675</b>
<b>SENTRY-44</b>	<b>MXR-D Sentry Sedate</b>	<b>\$10,557</b>
<b>SENTRY-44AV</b>	<b>MXR-D Sentry Sedate w/ AVS</b>	<b>\$11,188</b>

Replacement keys, see page 49 for part numbers.

### DIMENSIONS & WEIGHT

Height - 33"  
 Depth - 24"  
 Width - 18"  
 Weight - 96 lbs  
 (add 2 lbs for Porter Digital MXR) -  
 does not include cylinders

### The Porter Sentry Sedate features portability and security with:

- Dual Locking Doors
- Holds 2 Oxygen and 2 Nitrous Oxide "E" Cylinders (not included)
- Internal and External Storage
- Working Surface
- Durable Locking Wheels
- Emergency Oxygen Quick Connect

Add "-S" to the end of a part number to receive the package with Silhouette in lieu of the 5155 breathing circuit.  
 Example: SENTRY-34AV-S



# Porter Sentry Sedate (Continued)

FEATURES FOR PORTABILITY, SECURITY AND CONVENIENCE



The sturdy cabinet design features both internal and external storage.

Sentry Sedate holds two nitrous oxide cylinders and two oxygen cylinders.



A side hook conveniently holds the breathing circuit and hoses.



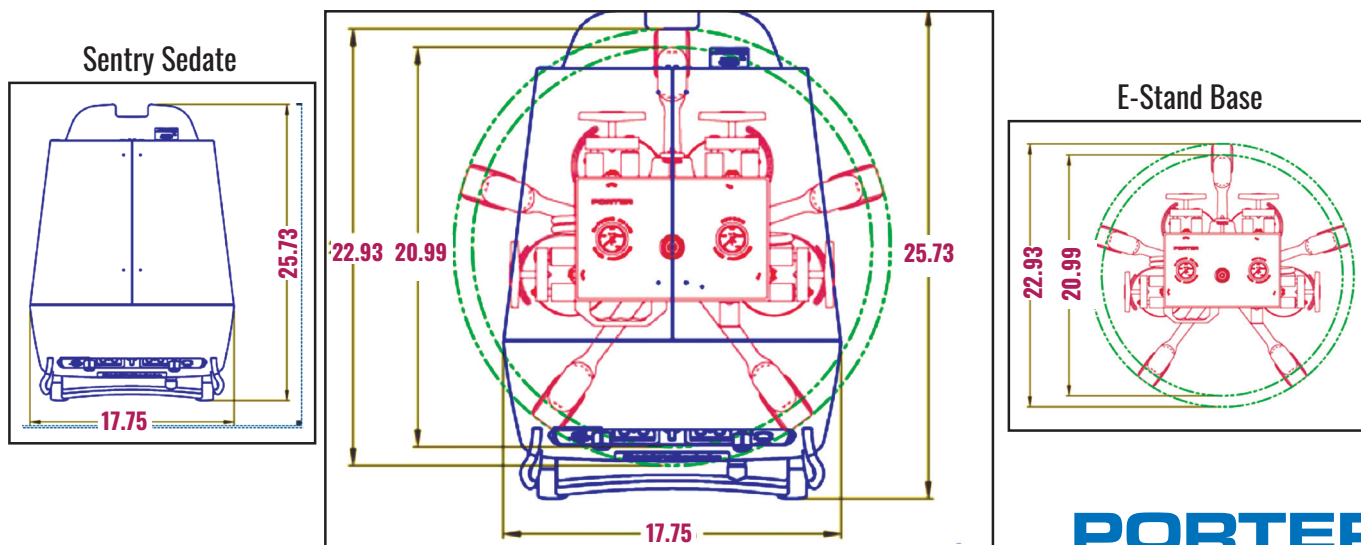
Large locking wheels allow the unit to be easily moved from room to room.



The dual locks ensure safe, secure cylinder storage.

## Sentry Sedate and E-Stand Footprint Comparison

**SENTRY SEDATE IS 3" NARROWER AND ONLY 3" LONGER THAN AN E-STAND WHEEL BASE!**



**PORTER**

# Matrix MDM Flowmeter

## Package Options:



**C**  
**2045-3**  
**Tall E-Stand**



**D**  
**2020**  
**Telescoping**  
**Wall Arm**



**E**  
**2040**  
**Compact Mobile**  
**Stand**



**F**  
**2042**  
**Tall Mobile Stand**

- Large precision glass flow tubes for real-time visualization and confirmation of gas flow
- Only analog flowmeter with “Auto-Compensation” feature  
*Flow stays consistent as percentage is adjusted*
- Flow control knob and percentage adjustment dial

Dimensions: 5” x 13 3/4” x 5 3/4”  
Weight: 6.5 lbs



**A 94500150** **\$4,042**  
**Matrix MDM Flowmeter and Bag Tee Only \***

**B 20050** **\$4,783**  
**Matrix MDM with Vacuum Control Valve Package \***  
Includes MDM, Vacuum Control Valve, and Matrix Breathing Circuit

**C 24450** **\$8,277**  
**Matrix MDM Tall E-Stand Package**  
Includes MDM, Vacuum Control Valve, Matrix Breathing Circuit, and Tall E-Stand

**D 28050** **\$5,094**  
**Matrix MDM Telescoping Wall Arm Package \***  
Includes MDM, Vacuum Control Valve, Top-Mount Adapter, Matrix Breathing Circuit and Telescoping Wall Arm

**E 23050** **\$5,136**  
**Matrix MDM Compact Mobile Stand Package \***  
Includes MDM, Vacuum Control Valve, Matrix Breathing Circuit, and Compact Mobile Stand

**F 24050** **\$5,186**  
**Matrix MDM Tall Mobile Stand Package \***  
Includes MDM, Vacuum Control Valve, Matrix Breathing Circuit, and Tall Mobile Stand

# Porter STANDARD Flowmeter

## Package Options:



**C**  
**2045-3**  
**Tall E-Stand**



**D**  
**2020**  
**Telescoping Wall Arm**



**E**  
**2035-1**  
**Under Counter Slide Mount**



**F**  
**2036-3**  
**Cabinet Slide Mount**



**G**  
**2040**  
**Compact Mobile Stand**

- Precision glass flow tubes for real-time visualization and confirmation of gas flow
- Built for reliability and durability
- Separate oxygen and nitrous oxide control valves
- Automatically pilots to 3 lpm of oxygen when turned on
- Oxygen quick connect conveniently located on the side of the STANDARD

Dimensions: 5" x 8 1/2" x 5 1/2"  
Weight: 6 lbs.

**A 1100**      **\$3,157**  
**Porter STANDARD Flowmeter and Bag Tee Only\***

**B 1400**      **\$4,142**  
**Porter STANDARD with In-Line Vacuum Control Package\***

Includes STANDARD, In-Line Vacuum Control, and 5155-1 Breathing Circuit

**C 1445-2**      **\$7,184**

**Porter STANDARD Tall E-Stand Package**

Includes STANDARD, In-Line Vacuum Control, 5155-1 Breathing Circuit, and Tall E-Stand



**D 1420**      **\$4,423**  
Includes STANDARD, In-Line Vacuum Control, 5155-1 Breathing Circuit, and Telescoping Wall Arm

**E 1435-1**      **\$4,514**  
**Porter STANDARD Under Counter Slide Package\***  
Includes STANDARD, In-Line Vacuum Control, 5155-1 Breathing Circuit, and Under Counter Slide Mount

**F 1436**      **\$4,631**  
**Porter STANDARD Cabinet Slide Mount Package\***  
Includes STANDARD, In-Line Vacuum Control, 5155-1 Breathing Circuit, and Cabinet Slide Mount

**G 1440**      **\$4,562**  
**Porter STANDARD Compact Mobile Stand Package\***  
Includes STANDARD, In-Line Vacuum Control, 5155-1 Breathing Circuit, and Compact Mobile Stand

\*Additional items may be required: Manifold, Outlet Stations, and Hoses.

## Porter Upright Flowmeter Mount Options



<b>2020</b>	<b>Porter and Matrux Telescoping Wall Arm</b> Extends to 18"	<b>\$570</b>
<b>PA-1734-000</b>	<b>Porter Mounting Stud</b>	<b>\$92</b>
<b>2023</b>	<b>Porter MXR Non Telescoping Wall Mount</b>	<b>\$263</b>
<b>2035-1</b>	<b>Porter MXR Under Cabinet Slide Mount</b> Extends 5"	<b>\$587</b>
<b>2036-3</b>	<b>Porter MXR Side Cabinet Mount</b> Extends 9"	<b>\$587</b>
<b>5335</b>	<b>Remote Bag Tee Post Mount</b>	<b>\$666</b>

## Matrux Upright Flowmeter Mount Options



<b>2020</b>	<b>Porter and Matrux Telescoping Wall Arm</b> Extends to 18"	<b>\$570</b>
<b>92505044</b>	<b>Matrux MDM Top Mount Bracket and Stud</b>	<b>\$264</b>
<b>91505093</b>	<b>Matrux MDM/DMDM Bottom Mount</b> Stud w/Nut	<b>\$97</b>
<b>92505045</b>	<b>Matrux MDM/DMDM Bottom Mount Stud</b>	<b>\$98</b>
<b>92505088</b>	<b>Porter MXR Adapter</b> For Matrux Wall Mount	<b>\$98</b>
<b>A-4492-000</b>	<b>2020 Wall Arm Extension</b>	<b>\$186</b>



# Porter and Matrix Mobile Cart Options



<b>2045-3</b>	<b>Tall E Stand - 33" to 41"</b>	<b>\$3,830</b>
<b>2045-SHORT3</b>	<b>Short E Stand - 30.5" to 40.5"</b> <i>For Porter Flowmeters Only</i>	<b>\$3,830</b>
<b>2040</b>	<b>Porter or Matrix Compact Mobile Stand</b> <b>- Extends 19.5" to 27.5"</b>	<b>\$582</b>
<b>2042</b>	<b>Porter or Matrix Tall Mobile Stand</b> <b>- Extends 33" to 41"</b>	<b>\$604</b>
<b>HANDLE-1</b>	<b>Post Handle for all Mobile Carts and E-Stands</b>	<b>\$179</b>

*\*Dimensions do not include flowmeter*

*\*Wheel Base Dimensions For All Carts: 22 15/16"*



See page 50 for a complete list of spare parts.

# Porter MXR Mounting Examples



**Porter MXR w/ Tall E-Stand**



**Porter MXR w/ Short E-Stand  
(cylinders not included)**



**Porter MXR w/ Telescoping Wall Arm**



**Porter MXR w/ Cabinet Slide**



**Porter MXR w/ Compact Mobile Cart**



**Porter MXR w/ Cabinet Slide**

# Porter Midas™ Digital Touchscreen Oral Surgery Packages



- A.1 7400-OS** Flowmeter with Directional Y Valve Package, 5155-1 Breathing Circuit with In-Line Vacuum Control **\$7,200**
- A.2 7400-AV-OS** Flowmeter with Directional Y Valve Package, 5155-3 Breathing Circuit and eAVS **\$8,200**
- B.1 7444-OS** Flowmeter with Directional Y Valve Package, Tall Mobile Cart, 5155-1 Breathing Circuit w/ In-Line Vacuum Control **\$7,700**
- B.2 7444-AV-OS** Flowmeter with Directional Y Valve Package, Tall Mobile Cart, 5155-3 Breathing Circuit and eAVS **\$8,800**
- C.1 7420-OS** Flowmeter with Directional Y Valve Package, Telescoping Wall Arm, 5155-1 Breathing Circuit with In-Line Vacuum Control **\$7,650**
- C.2 7420-AV-OS** Flowmeter with Directional Y Valve Package, Telescoping Wall Arm, 5155-3 Breathing Circuit and eAVS **\$8,650**
- D.1 7445-2-OS** Flowmeter with Directional Y Valve Package, Tall E-Stand, 5155-1 Breathing Circuit with In-Line Vacuum Control **\$9,950**
- D.2 7445-2AV-OS** Flowmeter with Directional Y Valve Package, Tall E-Stand, 5155-3 Breathing Circuit and eAVS **\$10,950**

## Package Options:



**B 2042**  
**Tall Mobile Cart**



**C 2020**  
**Telescoping Wall Arm**



**D 2045-3**  
**Tall E-Stand**

---

<b>91525191</b>		<b>\$1,346</b>
	<b>Directional “Y” Valve Package</b> <i>(included with all packages listed above)</i>	
	Includes: Directional “Y” Valve, Non-Rebreathing Valve, Universal Female Adapter, Corrugated Tube, and Adult and Pedo Full Facemask	
<b>94525192</b>	Directional “Y” Valve	<b>\$785</b>
<b>1597</b>	Non-Rebreathing Valve	<b>\$809</b>
<b>93316426</b>	Pedo Full Facemask	<b>\$121</b>
<b>93316427</b>	Adult Full Facemask	<b>\$121</b>
<b>5060-6</b>	Corrugated Autoclavable Tube	<b>\$119</b>

*For “Centrally Plumbed” offices, order Manifold, Outlets, and Hoses.*



# Porter Oral Surgery Flowmeter and Accessories

C



**2042 Tall Mobile Cart**  
(Also sold separately.  
See p. 27)

D



**2200-OS Oral Surgery  
Accessory Package**



- The only flowmeter with “High Flow” capabilities
- Precision Porter glass flow tubes
- Ergonomic flow and percentage control valves
- Directional “Y” valve accessory package with adult facemask
- Oxygen quick connect conveniently located on side of flowmeter
- Optional breathing circuit hook sold separately, see p. 30, item E

Dimensions: 5” x 8.5” x 5.5” (without Directional “Y” Valve)  
Weight: 6lbs

**A 3000-OS** **\$3,922**

**Porter Oral Surgery Flowmeter and Bag Tee (Threaded) Only**

**B 3400-OS** **\$4,535**

**Porter Oral Surgery Flowmeter**

Includes OS Flowmeter, 5155-1 Breathing Circuit with In-Line Vacuum Control, and Threaded Bag Tee  
(2200-OS Accessory Package not included)

**C 3444-OS** **\$6,486**

**Porter Oral Surgery Tall Mobile Cart Package**

Includes 3400-OS Package, Tall Mobile Cart, and 2200-OS

**D 2200-OS** **\$1,346**

**Porter Oral Surgery Accessory Package**

Only for use with Porter flowmeters and Threaded Bag Tee (P2407A).  
Includes Directional “Y” Valve, Non-rebreathing Valve, Adult Full Facemask, and Corrugated Tubing.

*Note: Optional Breathing Circuit Hook available, see p. 27, item E.*



# Porter Oral Surgery Accessories



**A P2407A** **\$419**  
**Porter Oral Surgery Threaded Bag Tee**



**B 2210K** **\$857**  
**Porter Directional "Y" Valve**  
 Only for use on Porter Oral Surgery, MXR, or STANDARD flowmeters.  
 Must have P2407A to attach. (For Matrix - see next page)



**C 1597** **\$809**  
**Non-Rebreathing Valve**

**D 93316427** **\$121**  
**Adult Full Facemask**

**E 93316426** **\$121**  
**Pediatric Full Facemask**

**5060-6** **\$119**  
**Corrugated Autoclavable Tubing – 6 ft (smooth bore style)**



**F B-5129-000** **\$149**  
**Breathing Circuit Hook**

Only for use with Porter Oral Surgery, MXR, or STANDARD flowmeters  
 (post mount) (Not included with 2200-OS)

**G 5054-CAP-KIT** **\$134**  
**Nasal Mask Capnography Kit**  
 Includes Hole Punch and 25 Luer Locks

**H 5054LUERLOCK** **\$37**  
**Disposable Luer Locks (25)**



# Matrx MDM and Digital MDM Oral Surgery Packages



**A** Flowmeter with Directional Y Valve Package

<b>50007</b> MDM Flowmeter	<b>\$5,136</b>
<b>40007</b> DMDM Flowmeter	<b>\$5,717</b>

**B** Flowmeter with Directional Y Valve Package, Breathing Circuit and Scavenger Control

<b>20057</b> MDM Flowmeter	<b>\$5,811</b>
<b>10067</b> DMDM Flowmeter	<b>\$6,425</b>

**C** Flowmeter with Directional Y Valve Package, Breathing Circuit with Scavenger Control, and Tall Mobile Cart

<b>24057</b> MDM Flowmeter	<b>\$6,294</b>
<b>14067</b> DMDM Flowmeter	<b>\$6,762</b>

**D** Flowmeter with Directional Y Valve Package, Breathing Circuit, Scavenger Control, and Telescoping Wall Arm

<b>28057</b> MDM Flowmeter	<b>\$6,199</b>
<b>18067</b> DMDM Flowmeter	<b>\$6,934</b>

**E** Flowmeter with Directional Y Valve Package, Breathing Circuit, Scavenger Control, and Tall E-Stand

<b>24457</b> MDM Flowmeter	<b>\$9,398</b>
<b>14467</b> DMDM Flowmeter	<b>\$10,298</b>

**Package Options:**



**G 2042**  
**Tall Mobile Cart**



**D 2020**  
**Telescoping Wall Arm**



**E 2045-3**  
**Tall E-Stand**

*Easily adapt any Matrx flowmeter (MDM, D-MDM, RA) with the Matrx Oral Surgery Accessory Package.*

**91525191** **\$1,346**

**Matrx Directional “Y” Valve Package**

Includes: Directional “Y” Valve, Non-Rebreathing Valve, Universal Female Adapter, Corrugated Tube, and Adult and Pedo Full Facemask

<b>94525192</b>	Matrx Directional “Y” Valve	<b>\$785</b>
<b>1597</b>	Non-Rebreathing Valve	<b>\$809</b>
<b>93316426</b>	Pedo Full Facemask	<b>\$121</b>
<b>93316427</b>	Adult Full Facemask	<b>\$121</b>
<b>5060-6</b>	Corrugated Autoclavable Tube	<b>\$119</b>

*For “Centrally Plumbed” offices, order Manifold, Outlets, and Hoses.*

# Surgical Suction and Recovery Room



**77008037** **\$1,744**  
**Surgical Suction Recovery Room Package**  
 (Includes items A-F)

**77008037-LPI** **\$1,250**  
**Surgical Suction Recovery Room Package –  
 Less DISS Vacuum Outlet** (Includes all other items in the regular package)  
*Compatible with vacuum regulator-DISS*

## Package Includes:



**A** **77008038**  
**Vacuum Regulator – DISS**



**B** **91309169**  
**Matrix Vacuum Outlet – DISS**



**C** **91120152**  
**1200cc Disposable Canisters**



**D** **77000192**  
**Conductive Tubing – 6 ft.**



**E** **77000689**  
**Vacuum Slide and Ring**



**F** **65965600**  
**Replacement Elbow**

**A** **77008038** **\$1000**  
**Vacuum Regulator – DISS**  
*Compatible with vacuum outlet - DISS*

**65944300-OM** **\$1000**  
**Vacuum Regulator - Ohio/Matrx**

**B** **91309169** **\$524**  
**Vacuum Outlet – DISS**

**C** **91120152** **\$117**  
**1200cc Disposable Canisters (5)**

**D** **77000192** **\$71**  
**Conductive Tubing – 6 ft., 1/4" ID**

**E** **77000689** **\$55**  
**Canister Mounting Bracket**

**F** **65965600** **\$4**  
**Replacement Elbow**

## Other Vacuum Outlets:



**5600-3** **\$447**  
**Porter Vacuum Outlet**



**91309148** **\$485**  
**Matrix Vacuum Outlet**

*(Additional outlets and hoses, see pages 36-39)*

# Oxygen Therapy and Emergency Oxygen



Oxygen Therapy Flowmeters (0-15 LPM)

- A-4543-000** Oxygen Flowmeter – Porter Quick Connect \$271
- 91350404** Oxygen Flowmeter – Matrix Quick Connect (Male QC) \$278
- 91350408** Oxygen Flowmeter – DISS Connect (Female) \$278

---

**C-1782** O<sub>2</sub> Flowmeter Wall Mount Kit (includes O<sub>2</sub> Flowmeter and Mount) \$342

**B-5808** O<sub>2</sub> Flowmeter Wall Mount – Mount Only \$108

Other Items:

**A-1675** O<sub>2</sub> DISS (Male) to Porter O<sub>2</sub> Quick Connect \$140

**65918900** Barbed Adapter – DISS (Female) to Hose Barb \$5

**91318129** Quick Connect Adapter  
1/8" NPT x Matrix Male Quick Connect \$121

**PA-1362-000** O<sub>2</sub> Flowmeter 90° Adapter \$57

**B-5761-000** O<sub>2</sub> Adapter – MDM \$96

---

Emergency Oxygen

**1536-1** Positive Pressure Demand Valve System \$1,656  
Includes: Demand Valve with Adult Full Facemask, 6 ft. Hose, E-Cylinder Cart, and Regulator with Yoke (Porter Connection) Cylinder not included.

**1538** E-Cylinder Cart \$238

**1506-1** Positive Pressure Demand Valve – Porter QC \$960

**1506-1M** Positive Pressure Demand Valve – Matrix QC \$960

**1506-1D** Positive Pressure Demand Valve – DISS \$960

**93316427** Adult Full Face Mask \$121

**93316426** Pediatric Full Face Mask \$121

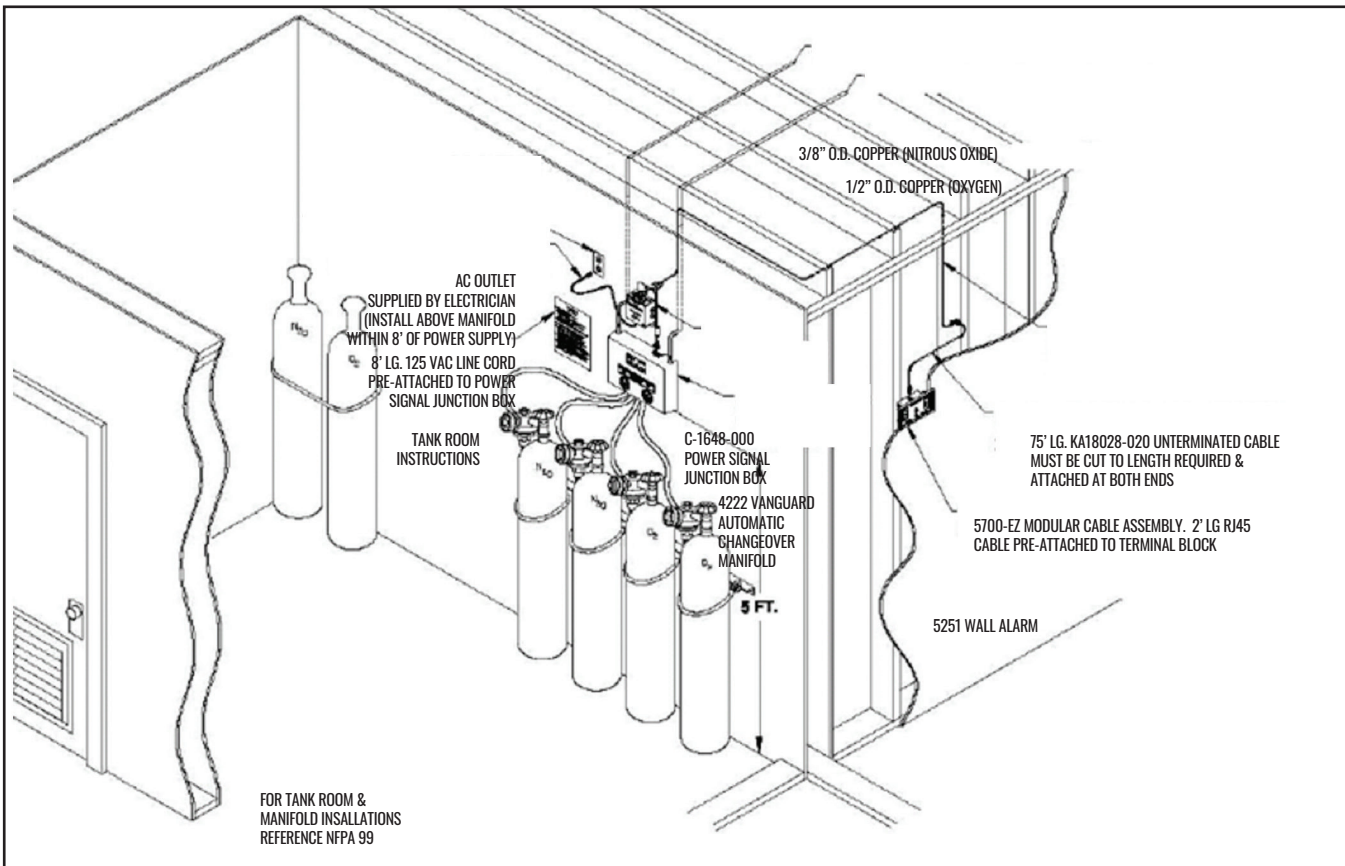
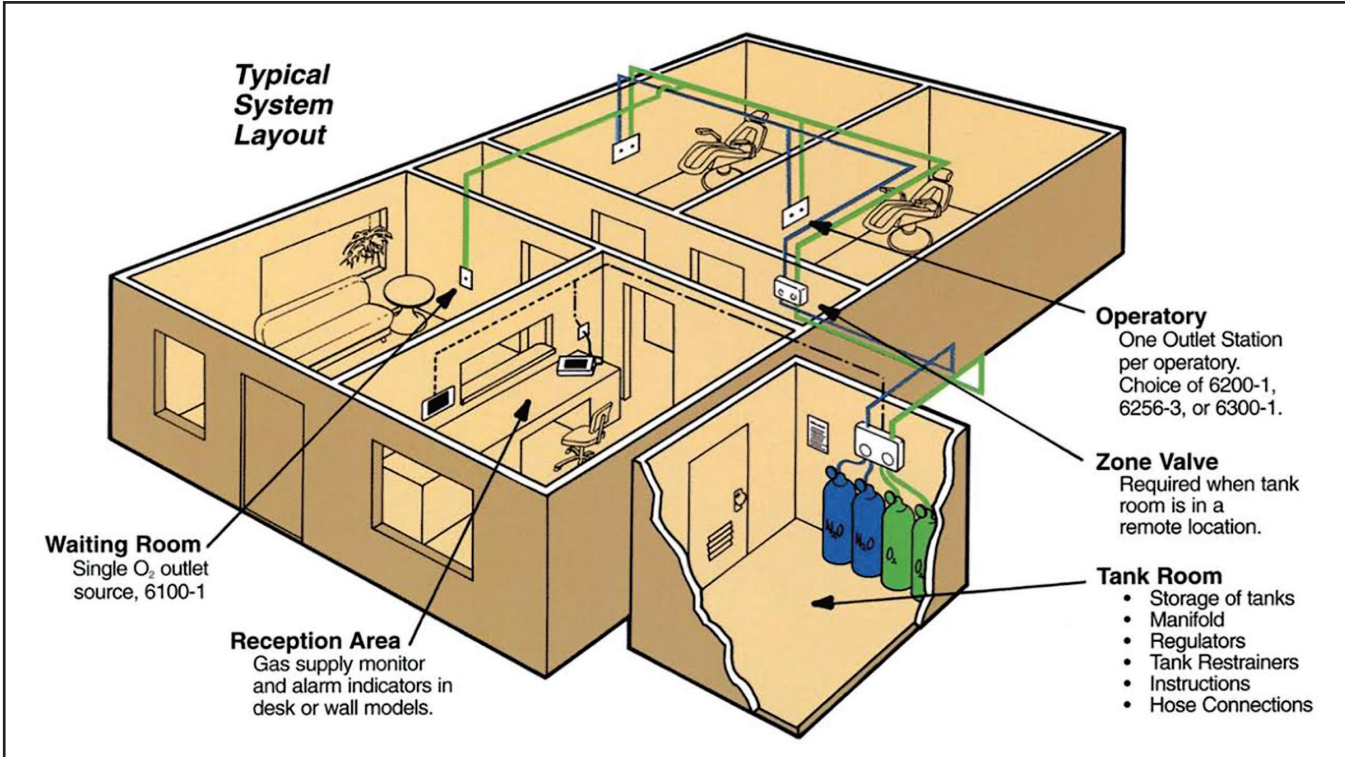
**1566-1** Regulator and Yoke w/ Porter Connection \$646

**1560-1** Regulator and Yoke w/ DISS Male Connection \$646

\* For a complete listing of O<sub>2</sub> outlets, see pages 36-37.



# Tank Room Layout

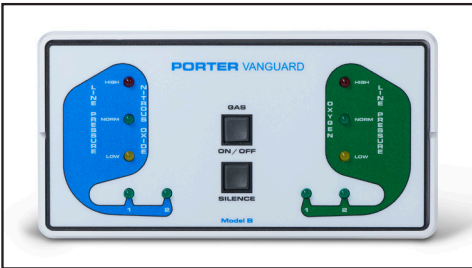


# Vanguard Manifold System

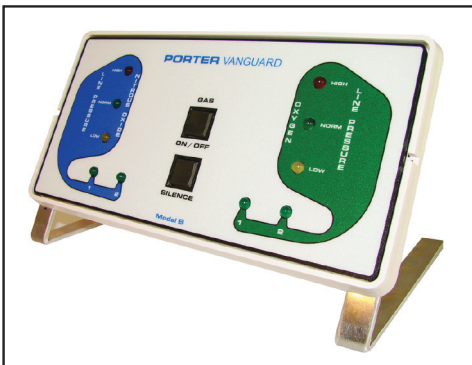
## Automatic Changeover Manifold



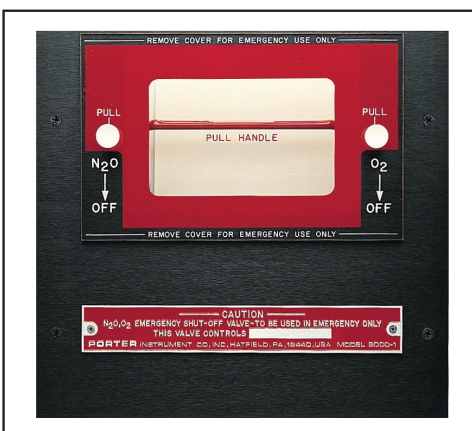
Vanguard Manifold



Vanguard Wall Alarm



Vanguard Desk Alarm



Zone Valve

Complete system including Vanguard Manifold, Wall/Desk Alarm, Manifold Pre-Install Kit, 2 O<sub>2</sub> and 2 N<sub>2</sub>O Regulators, O<sub>2</sub> and N<sub>2</sub>O hoses, Cylinder Restraints, 75' of Alarm Cable, and Power Supply

**4222CXB** Vanguard Wall Alarm Package **\$7,544**

**4222DXB** Vanguard Desk Alarm Package **\$7,544**

**4222CXBLPI** Vanguard Wall Alarm Package (LPI) **\$6,900**

Complete 4222 system Less Pre-Install Kit

**3653-EZW** Vanguard Wall Alarm Pre-Install Kit **\$644**  
Includes: Cable Assembly (75'), Modular Cable Assembly (2'), Power Junction Box, O<sub>2</sub>/N<sub>2</sub>O Pigtails, and Mounting Template

**4222DXBLPI** Vanguard Desk Alarm Package (LPI) **\$6,900**

**3653-EZD** Vanguard Desk Alarm Pre-Install Kit **\$644**  
Includes: Cable Assembly (75'), Modular Cable Assembly (2'), Power Junction Box, O<sub>2</sub>/N<sub>2</sub>O Pigtails, and Mounting Template

**9000-2** Vanguard System Concealed Zone Valve Shut Off **\$1,994**  
Cut Out Dimensions: 9" W x 10.5" H

### Vanguard System Individual Components

- 4222NOHF-1** Vanguard Manifold Only **\$5,381**
- 6251A** Wall alarm only **\$1,778**
- 6201A** Desk alarm only **\$1,778**
- 7000-2** Oxygen tank regulator **\$523**
- 7500-2** Nitrous Oxide tank regulator **\$523**
- 8003** 3 ft Oxygen Hose (tank to Manifold) **\$180**
- 8503-B** 3 ft Nitrous Oxide Hose (tank to Manifold) **\$180**
- 3525** Cylinder Restraints (Set of 2) **\$206**
- A-2144** DISS Copper Pigtails O<sub>2</sub> 1/2" O.D. and N<sub>2</sub>O 3/8" O.D. **\$173**

### Matrx Manifold Retrofit Elbows

- B-5496-000** N<sub>2</sub>O Elbow **\$90**
- B-5497-000** O<sub>2</sub> Elbow **\$90**

\*For additional Vanguard Manifold Parts – see page 52

# Sentinel Manifold System

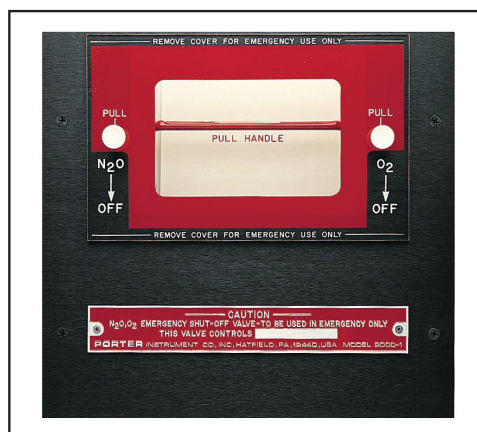
## Manual Changeover Manifold System



Sentinel Manifold



Sentinel Wall Alarm Panel



Zone Valve

Complete system including Sentinel Manifold, Wall Alarm, Manifold Pre-Install Kit, 2 O<sub>2</sub> and 2 N<sub>2</sub>O Regulators, O<sub>2</sub> and N<sub>2</sub>O hoses, Cylinder Restraints, 75' of Alarm Cable, and Power Supply

**3222CX** **\$5,858**  
**Sentinel Wall Alarm Package**

**3221CX** **\$5,471**  
**Sentinel Wall Alarm Package**  
 Wall Alarm package for 2 O<sub>2</sub> and 1 N<sub>2</sub>O Cylinders

**3222CX-N/R&H** **\$4,046**  
**Sentinel Wall Alarm Package**  
 No Regulators or Hoses

**9000-1** **\$1,994**  
**Sentinel System Concealed Zone Valve Shut Off**  
 Cut Out Dimensions: 9" W x 10.5" H

### Sentinel System Individual Components

- |                |  |                |
|----------------|--|----------------|
| <b>3222MXB</b> | <b>Sentinel Manifold Only</b>  | <b>\$3,052</b> |
| <b>5251</b>    | <b>Wall alarm only</b>   | <b>\$1,311</b> |
| <b>7000-2</b>  | <b>Oxygen tank regulator</b>   | <b>\$523</b>   |
| <b>7500-2</b>  | <b>Nitrous Oxide tank regulator</b>  | <b>\$523</b>   |
| <b>8003</b>    | <b>3 ft Oxygen Hose (tank to Manifold)</b>                                       | <b>\$180</b>   |
| <b>8503-B</b>  | <b>3 ft Nitrous Oxide Hose (tank to Manifold)</b>                                | <b>\$180</b>   |
| <b>3525</b>    | <b>Cylinder Restraints (Set of 2)</b>  | <b>\$206</b>   |
| <b>A-2144</b>  | <b>DISS Copper Pigtails O<sub>2</sub> 1/2" O.D. and N<sub>2</sub>O 3/8" O.D.</b> | <b>\$173</b>   |

### Matrx Manifold Retrofit Elbows

- |                   |                             |             |
|-------------------|-----------------------------|-------------|
| <b>B-5496-000</b> | <b>N<sub>2</sub>O Elbow</b> | <b>\$90</b> |
| <b>B-5497-000</b> | <b>O<sub>2</sub> Elbow</b>  | <b>\$90</b> |

*\*For additional Sentinel Manifold Parts – see page 53*



# Nitrogen Manifold and Accessories



**8201** **\$2,838**

**Nitrogen Manifold System**

Includes one regulator, tank restraints & one 3ft. hose

**8202** **\$3,630**

**Nitrogen Manifold System**

Includes two regulators, tank restraints & two 3ft. hoses

**8203** **\$4,420**

**Nitrogen Manifold System**

Includes three regulators, tank restraints & three 3ft. hoses



**Nitrogen Outlet Assembly**

6-233114-00	Nitrogen Rough In	<b>\$156</b>
-------------	-------------------	--------------

6-230914-00	Nitrogen Latch Valve – DISS	<b>\$97</b>
-------------	-----------------------------	-------------

6-325161-00	Outlet Trim Plate	<b>\$45</b>
-------------	-------------------	-------------

(Order one of each)



**PARTS ONLY**

**7400-1** **\$550**

**Nitrogen Regulator Only**

**8803** **\$171**

**Nitrogen Hose, DISS/DISS, 3ft.**

Note: Stock number listed is for 3 ft. Last digit indicates length.

Example: 8805 hose N<sub>2</sub>, DISS/DISS=5ft. long

**8200** **\$2,104**

**Nitrogen Manifold Only**

**PA-1140-000** **\$121**

**Nitrogen Check Valve Assy.**

(For 8200 series models)

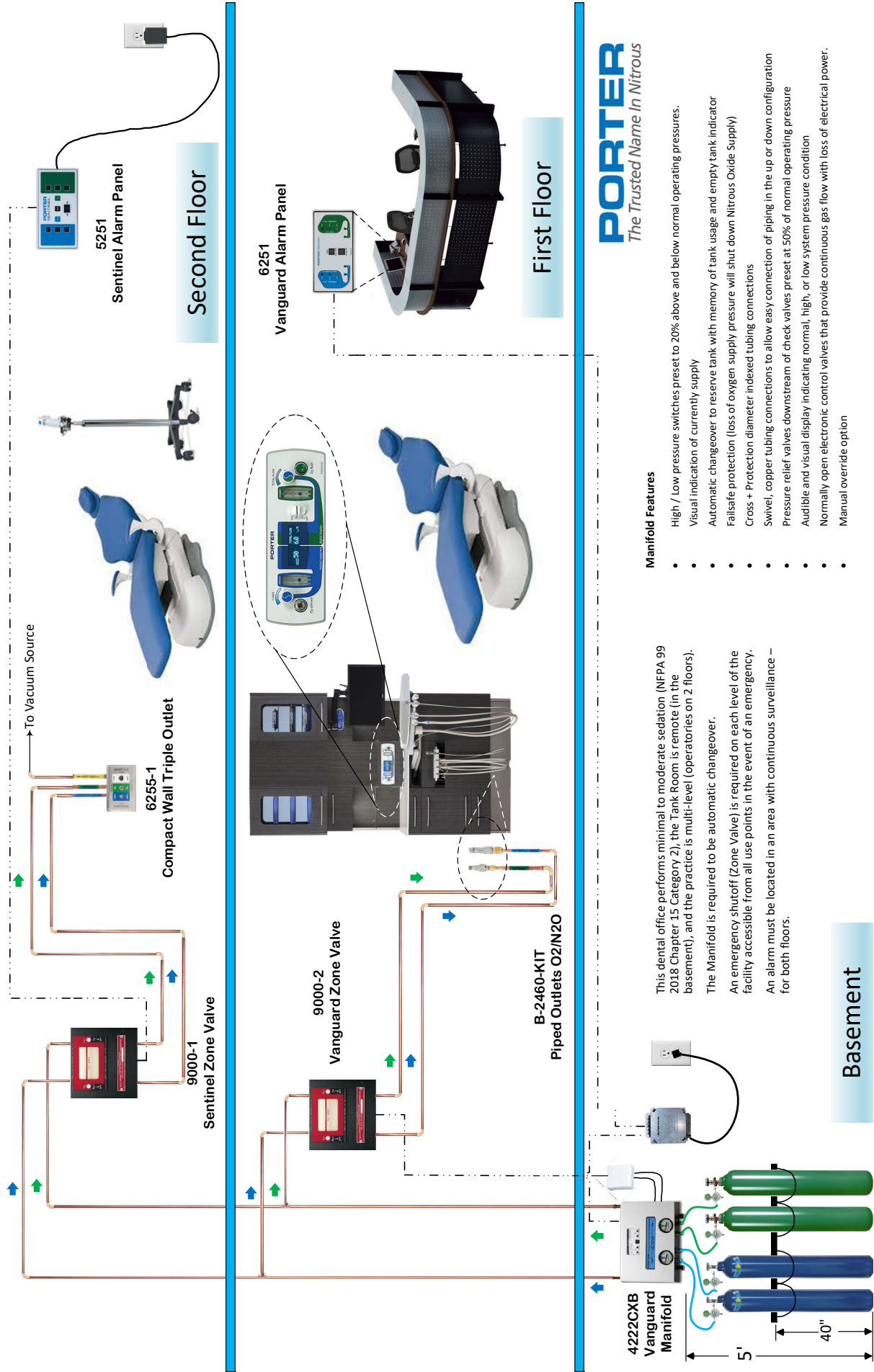
**PA-1143-000** **\$90**

**Nitrogen Gauge**

(For 8200 series models)



# Porter Multi-Floor Manifold and Zone Valve Application Layout



**PORTER**  
The Trusted Name In Nitrous

### Manifold Features

- High / Low pressure switches preset to 20% above and below normal operating pressures.
- Visual indication of currently supply
- Automatic changeover to reserve tank with memory of tank usage and empty tank indicator
- Failsafe protection (loss of oxygen supply pressure will shut down Nitrous Oxide Supply)
- Cross + Protection diameter indexed tubing connections
- Swivel, copper tubing connections to allow easy connection of piping in the up or down configuration
- Pressure relief valves downstream of check valves preset at 50% of normal operating pressure
- Audible and visual display indicating normal, high, or low system pressure condition
- Normally open electronic control valves that provide continuous gas flow with loss of electrical power.
- Manual override option

This dental office performs minimal to moderate sedation (NFPA 99 2018 Chapter 15 Category 2), the Tank Room is remote (in the basement), and the practice is multi-level (operatories on 2 floors).

The Manifold is required to be automatic changeover.

An emergency shutoff (Zone Valve) is required on each level of the facility accessible from all use points in the event of an emergency.

An alarm must be located in an area with continuous surveillance – for both floors.

Basement

First Floor

Second Floor

# Porter Quick Connect Outlet Stations

## Porter Outlets



**6100-1** \$366  
**Single Oxygen Outlet Station**

**6200-1** \$514  
**Dual Outlet Station, O<sub>2</sub>/N<sub>2</sub>**

**6250K** \$60  
**Exposed Cover For Surface Mount 6100-1 or 6200-1**

**6300-1** \$839  
**Floor Mounted Outlet Station**

**6255-1** \$808  
**Compact Wall Triple Outlet  
 O<sub>2</sub>/N<sub>2</sub>O/Vacuum**

**6256-3** \$808  
**Triple Outlet  
 Concealed Triple Outlet**

**6258-1** \$804  
**Compact Triple Outlet for Cabinets  
 (no hoses or piped outlet connections)**

**6258-3** \$1,398  
**Compact Triple Outlet for Cabinets  
 With 3 foot hoses and piped outlet connections**

**6258-5** \$1,398  
**Compact Triple Outlet for Cabinets  
 With 5 foot hoses and piped outlet connections**

**6258-1B** \$804  
**Compact Triple Outlet for Cabinets w/ Back Connections  
 (no hoses or piped outlet connections)**

**6258-3B** \$1,398  
**Compact Triple Outlet for Cabinets w/ Back Connections  
 With 3 foot hoses and piped outlet connections**

**6258-5B** \$1,398  
**Compact Triple Outlet for Cabinets w/ Back Connections  
 With 5 foot hoses and piped outlet connections**

**5600-3** \$447  
**Vacuum Outlet Station**

# Matrx (OHIO) Quick Connect and DISS Style Outlets

## Recessed Ohio Quick Connect Outlet Stations



Order No.	Description	List Price
<b>91309146</b>	<b>O<sub>2</sub>, Matrx Single Quick Connect</b>	<b>\$485</b>
<b>91309147</b>	<b>N<sub>2</sub>O, Matrx Single Quick Connect</b>	<b>\$485</b>
<b>91309148</b>	<b>VAC, Matrx Single Quick Connect</b>	<b>\$485</b>
<b>91309150</b>	<b>O<sub>2</sub>/N<sub>2</sub>O Matrx Dual Quick Connect</b>	<b>\$714</b>
<b>91309151</b>	<b>O<sub>2</sub>/N<sub>2</sub>O/Vac Matrx Triple Quick Connect</b>	<b>\$998</b>

## Recessed DISS Outlet Stations



Order No.	Description	List Price
<b>91309163</b>	<b>O<sub>2</sub>, DISS Single</b>	<b>\$524</b>
<b>91309164</b>	<b>N<sub>2</sub>O, DISS Single</b>	<b>\$524</b>
<b>91309169</b>	<b>VAC, DISS Single</b>	<b>\$524</b>



<b>91309171</b>	<b>O<sub>2</sub>/N<sub>2</sub>O Dual DISS</b>	<b>\$854</b>
-----------------	---	--------------



<b>91309172</b>	<b>O<sub>2</sub>/N<sub>2</sub>O/VAC Triple DISS</b>	<b>\$1,207</b>
-----------------	---	----------------

## Mini O<sub>2</sub> Outlet w/ DISS Back Fitting



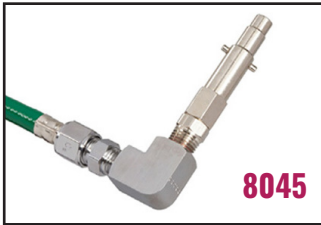
<b>4107201187</b>	<b>Mini Oxygen Outlet Rough In</b>	<b>\$126</b>
<b>4107214634</b>	<b>Mini Oxygen Outlet Latch Assembly (OHIO)</b>	<b>\$126</b>

## Hoses and Quick Connects

 <p><b>8065</b></p>	<p><b>8065</b> O<sub>2</sub>/N<sub>2</sub>O, Porter Dual Male/ DISS Female, 5ft <b>\$320</b></p>	 <p><b>8055</b></p>
 <p><b>92305126-5</b></p>  <p><b>92305118-5</b></p>	<p><b>92305126-5</b> O<sub>2</sub>, Matrx (OHIO) Male/DISS Female, 5ft. <b>\$180</b></p> <p><b>92305127-5</b> N<sub>2</sub>O, Matrx (OHIO) Male/DISS Female, 5ft.. <b>\$180</b></p> <p><b>92305118-5</b> O<sub>2</sub>, Matrx (OHIO) Female/DISS Female, 5ft. <b>\$269</b></p> <p><b>92305119-5</b> N<sub>2</sub>O, Matrx (OHIO) Female/DISS Female, 5ft. <b>\$269</b></p>	
 <p><b>8505</b></p>  <p><b>92305288</b></p>  <p><b>92305289</b></p>	<p><b>8005</b> O<sub>2</sub>, DISS/DISS, 5ft., Female <b>\$180</b></p> <p><b>8505</b> N<sub>2</sub>O, DISS/DISS, 5ft., Female <b>\$180</b></p> <p><b>8005-F/M</b> O<sub>2</sub>, DISS Female/Male, 5ft. <b>\$197</b></p> <p><b>8505-F/M</b> N<sub>2</sub>O, DISS Female/Male, 5ft. <b>\$197</b></p> <p><b>92305288-5</b> O<sub>2</sub>, DISS Hand Twist Female/DISS Female, 5 ft. <b>\$186</b></p> <p><b>92305289-5</b> N<sub>2</sub>O, DISS Hand Twist Female/DISS Female, 5ft. <b>\$186</b></p>	
 <p><b>8015</b></p>	<p><b>8015</b> O<sub>2</sub>, Chemetron (NCG) Male/DISS Female, 5 ft. <b>\$271</b></p> <p><b>8515</b> N<sub>2</sub>O, Chemetron (NCG) Male/DISS Female, 5 ft. <b>\$271</b></p>	
 <p><b>8025</b></p>	<p><b>8025</b> O<sub>2</sub>, Puritan Male/DISS Female, 5 ft. <b>\$271</b></p> <p><b>8525</b> N<sub>2</sub>O, Puritan Male/DISS Female, 5 ft. <b>\$271</b></p>	
 <p><b>8035</b></p>	<p><b>8035</b> O<sub>2</sub>, Schrader Male/DISS Female, 5 ft. <b>\$304</b></p> <p><b>8535</b> N<sub>2</sub>O, Schrader Male/DISS Female, 5 ft. <b>\$304</b></p>	

All hose prices 1 – 5 ft are same price. Last digit of part numbers indicates length.  
Call Porter for price per foot of O<sub>2</sub> and N<sub>2</sub>O hose.

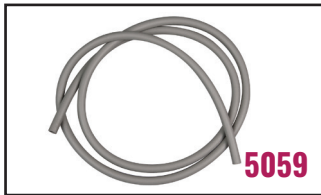




<b>8045</b>	<b>O<sub>2</sub>, Oxequip Male / DISS Female, 5ft.</b>	<b>\$271</b>
<b>8545</b>	<b>N<sub>2</sub>O, Oxequip Male / DISS Female, 5ft.</b>	<b>\$271</b>

## Vacuum Hoses and Vacuum Quick Connects

### Vacuum Hoses Only



<b>5059</b>	<b>Vacuum Hose (Grey), 8ft. (3/8" ID, 5/8" OD)</b>	<b>\$65</b>
<b>PA-679-000</b>	<b>Vacuum Hose (Grey), By the foot (3/8" ID, 5/8" OD)</b>	<b>\$12/ft.</b>
<b>PA-679-CLR25</b>	<b>Vacuum Hose (Clear), 25ft. (3/8" ID, 5/8" OD)</b>	<b>\$135</b>
<b>91525143</b>	<b>Vacuum Hose (Matrx Remote Bag Tee), 10ft.</b>	<b>\$40</b>
<b>PA-1160-000</b>	<b>Vacuum Hose (Matrx Remote Bag Tee), by the foot</b>	<b>\$6/ft.</b>
<b>92515063-5</b>	<b>Vacuum Hose, 1/4" MNPT / Matrx Ohio Male, 5ft.</b>	<b>\$165</b>
<b>92515064-5</b>	<b>Vacuum Hose, 1/4" MNPT / DISS Female, 5ft.</b>	<b>\$186</b>
<b>92305248-5</b>	<b>Vacuum Hose, DISS Female / DISS Female, 5ft.</b>	<b>\$158</b>



### Vacuum Connects Only



<b>5602</b>	<b>Porter Vacuum Quick Connect Right Angle w/ 3/8" Barb</b>	<b>\$169</b>
<b>A-4266-000</b>	<b>Porter Vacuum Quick Connect (Straight) w/ 3/8" Barb</b>	<b>\$173</b>
<b>5670</b>	<b>Matrx (OHIO) Vacuum Quick Connect w/ 3/8" Barb</b>	<b>\$169</b>
<b>5602-DISSVAC</b>	<b>DISS Vacuum Connect w/ 3/8" Barb</b>	<b>\$169</b>
<b>5602-CT</b>	<b>Chemetron Vacuum Quick Connect w/ 3/8" Barb</b>	<b>\$169</b>
<b>5602-PB</b>	<b>Puritan Vacuum Quick Connect w/ 3/8" Barb</b>	<b>\$185</b>
<b>5602-OM</b>	<b>Oxequip Medstar Vacuum Quick Connect w/ 3/8" Barb</b>	<b>\$185</b>
<b>5602-DISSWAG</b>	<b>DISS WAGD Vacuum Connect w/ 3/8" Barb</b>	<b>\$185</b>
<b>5670WAGD</b>	<b>Matrx (OHIO) WAGD Vacuum Quick Connect w/ 3/8" Barb</b>	<b>\$177</b>
<b>5602-CTWAG</b>	<b>Chemetron WAGD Vacuum Quick Connect w/ 3/8" Barb</b>	<b>\$192</b>
<b>5602-PBWAG</b>	<b>Puritan WAGD Connect w/ 3/8" Barb</b>	<b>\$185</b>
<b>5602-RK</b>	<b>Right Angle Retrofit</b>	<b>\$264</b>



<b>C-598-004</b>	<b>O<sub>2</sub> Splitter DISS (order hoses separately)</b>	<b>\$179</b>
<b>C-598-003</b>	<b>N<sub>2</sub>O Splitter DISS (order hoses separately)</b>	<b>\$179</b>
<b>B-5497-000</b>	<b>O<sub>2</sub> 90° Elbow Female DISS / Female DISS</b>	<b>\$90</b>
<b>B-5496-000</b>	<b>N<sub>2</sub>O 90° Elbow Female DISS / Female DISS</b>	<b>\$90</b>

# Silhouette Low Profile Nasal Mask

PORTER  
**Silhouette**  
LOW PROFILE NASAL MASK



**Silhouette Single-Use Low Profile Mask and Breathing Circuit – All In One!**



Porter's Silhouette Nasal Mask is available in 4 sizes: *Pedo, Small, Medium and Large*, resulting in an improved fit for your patients.

- Save time on sterilization\*
- Low profile
- Scavenging efficiency
- Unobstructed access
- Predictable experience
- Save space in sterilizer\*
- Single use mask and tubing
- Improves seal around nose
- Can be used with **any brand flowmeter**

\* Compared to requirements of traditional breathing circuits

**Here is all you need to convert your existing flowmeter:**

**Silhouette Retrofit Package  
(Part # SIL2-RETRO-PKG)**

**Silhouette Variety Pack  
(Part # SIL2-VAR-4x3)**

View videos and additional information at: [www.porterinstrument.com/silhouette](http://www.porterinstrument.com/silhouette)

# Silhouette Low Profile Nasal Mask (Continued)

Try this exciting new product by ordering a Silhouette Retrofit Package and Variety Pack



**SIL2-RETRO-PKG** Silhouette Retrofit Package (order one for each flowmeter) Includes: Cannula Adapter, Breathing Bag Cap, 6.5' Fresh Gas/Vacuum Tubing, 4 Color Coded Sizer Masks, Clip, and Vacuum Block Adjustor **\$90**

**SIL2-VAR-4X3** Variety 12 Pack: 3 of each size - Pediatric, Small, Medium, Large **\$113**



**SIL2-PEDO-12** Pediatric Silhouette – 12 Pack **\$104**

**SIL2-SM-12** Small Silhouette – 12 Pack **\$104**

**SIL2-MED-12** Medium Silhouette – 12 Pack **\$113**

**SIL2-LG-12** Large Silhouette – 12 Pack **\$113**

**SIL2-PEDO-24** Pediatric Silhouette – 24 Pack **\$194**

**SIL2-SM-24** Small Silhouette – 24 Pack **\$194**

**SIL2-MED-24** Medium Silhouette – 24 Pack **\$217**

**SIL2-LG-24** Large Silhouette – 24 Pack **\$217**



**SIL2-CAPNO**

## Silhouette Parts

**SIL-SIZER-4** Silhouette Sizer Masks - Color Coded - 1 For Each Size (included w/ SIL2-RETRO-PKG) **\$36**

**B-5581-001** Fresh Gas and Vacuum Tubing, 3/8 + 1/4 X 78" (included w/ SIL2-RETRO-PKG) **\$66**

**SIL-ADPT-PKG** 3 Pack Adapter Package, Canula Adapter, Clip w/ Strap, Bag Tee Cap **\$30**

**SIL-VAC** Silhouette Vacuum Block Adjuster **\$52**

**SIL2-CAPNO** Silhouette Capnography Barbs (25) **\$16**

**B-5603-005** Cannula Adapter (5) **\$18**

**PA-1630-005** Plastic Strap w/ Clip (5) **\$14**

**62905510W5** Bag Tee Cap (5) **\$15**

**1585** 15mm to 22mm Right Angle Adapter **\$19**

**1571-22** 22mm Right Angle Adapter **\$40**



**SIL2-CAPNO Attached**



**SIL-VAC**



# Porter Breathing Circuits and Vacuum Control



## PORTER BREATHING CIRCUITS WITH ADULT HOOD

<b>5155-3AV</b>	<b>\$1,327</b>
<b>Porter Adult Breathing Circuit w/ AVS</b>	
<b>5155-1</b>	<b>\$940</b>
<b>Porter Adult Breathing Circuit w/ In-Line Vacuum Control</b>	
<b>5155-3</b>	<b>\$797</b>
<b>Porter Adult Breathing Circuit – No Vacuum Control</b>	



AVS-5000

## PORTER BREATHING CIRCUITS WITH PEDIATRIC HOOD

<b>5155-4AV</b>	<b>\$1,327</b>
<b>Porter Pediatric Breathing Circuit w/ AVS</b>	
<b>5155-2</b>	<b>\$940</b>
<b>Porter Pediatric Breathing Circuit w/ In-Line Vacuum Control</b>	
<b>5155-4</b>	<b>\$797</b>
<b>Porter Pediatric Breathing Circuit – No Vacuum Control</b>	

\*Order 4100-3NL or 4100-2NL Breathing Bag Separate (see page 44)

## PORTER VACUUM CONTROLS

<b>AVS-5000</b>	<b>\$650</b>
<b>Automatic Vacuum Switch</b>	
<b>AVS-5000S</b>	<b>\$781</b>
<b>Automatic Vacuum Switch w/ Swivel Mount</b>	
<b>AVS-5000QD</b>	<b>\$650</b>
<b>Automatic Vacuum Switch w/ Quick Disconnect</b>	
<b>EAVS-5000-F</b>	<b>\$1200</b>
<b>Midas Flush-Mount Automatic Vacuum Switch</b>	
<b>EAVS-5000-P</b>	<b>\$1200</b>
<b>Midas Portable Automatic Vacuum Switch</b>	
<b>5501-RK</b>	<b>\$151</b>
<b>In-Line Vacuum Control</b>	



AVS-5000S



AVS-5000QD



5501-RK

P1407QD Bag Tee not included – order separately



# Porter Nasal Hoods



**5054C and 5054D**



**5053 AD12**



**5053 AD12C**

## PORTER AUTOCLAVABLE NASAL HOODS

ADULT

**5054A** \$381

Porter Adult Double Mask Hood Kit w/ 3 Inner Mask Liners

**5054C** \$341

Porter Adult Double Mask w/ 1 Inner Mask Liner

**5054-1** \$84

Porter Adult Inner Mask Liners (3)

PEDIATRIC

**5054B** \$381

Porter Pediatric Double Mask Hood Kit w/ 3 Inner Mask Liners

**5054D** \$341

Porter Pediatric Double Mask Hood Kit w/ 1 Inner Mask Liner

**5054-2** \$84

Porter Pediatric Inner Mask Liners (3)

## PORTER DISPOSABLE NASAL HOODS

ADULT

**5053AD12** \$59

Porter Adult Disposable Inner Mask Liners (12)

**5053AD12C** \$59

Porter Adult Disposable Inner Mask Liners – Citrus (12)

**5053AD144** \$673

Porter Adult Disposable Inner Mask Liners (144)

**5053AD144C** \$673

Porter Adult Disposable Inner Mask Liners – Citrus (144)

PEDIATRIC

**5053PD12** \$59

Porter Pediatric Disposable Inner Mask Liners (12)

**5053PD12C** \$59

Porter Pediatric Disposable Inner Mask Liners – Citrus (12)

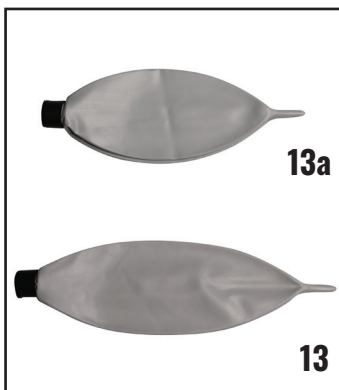
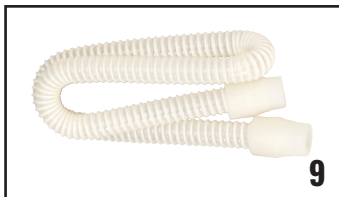
**5053PD144** \$673

Porter Pediatric Disposable Inner Mask Liners (144)

**5053PD144C** \$673

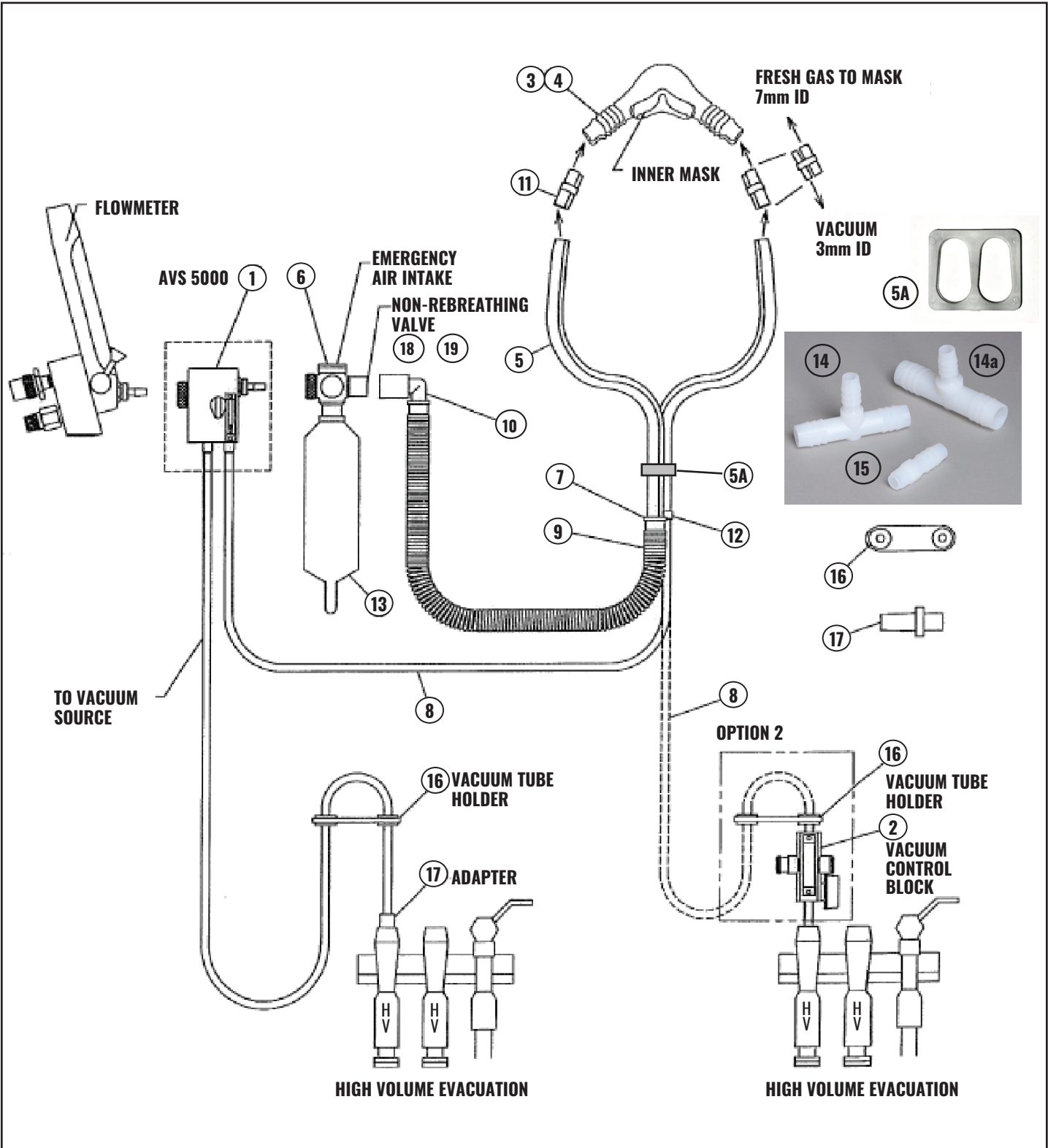
Porter Pediatric Disposable Inner Mask Liners – Citrus (144)

# Porter Breathing Circuit Accessories And Parts



ITEM	PART NO.	DESCRIPTION	RETAIL
1	AVS-5000	Automatic Vacuum Switch (AVS)	\$650
2	5501-RK	In-Line Vacuum Control Block Kit	\$151
3	5054A	Porter Adult Hood Kit w/ 3 Liners	\$381
3a	5054C	Porter Adult Hood Kit w/ 1 Liner	\$341
4	5054B	Porter Pedit Hood Kit w/ 3 Liners	\$381
4a	5054D	Porter Pedit Hood Kit w/ 1 Liners	\$341
*	5066	Porter Hood Inner Liner Flapper Valve (3)	\$34
5	5056	Coaxial Tubing – set of 2 (27")	\$288
5a	5057	Coaxial Tension Slide Adjuster	\$30
6	P1407A	Porter Bag Tee	\$331
6a	P1407QD	Porter Quick Connect Bag Tee	\$421
6b	P2407A	Porter Oral Surgery Flowmeter Threaded Bag Tee	\$419
7	5058	Fresh Gas "Y" Connector	\$34
8	5059	Vacuum Hose 8ft. (3/8" ID, 5/8" OD)	\$65
8a	PA-679-000	Vacuum Hose Per Foot	\$12
9	5060-3	Fresh Gas Autoclavable Corrugated Tubing 3ft. (22mm ID, 7/8" OD)	\$93
9a	5060-6	Fresh Gas Autoclavable Corrugated Tubing 6 ft. (22mm ID, 7/8" OD)	\$119
10	1571-22	22mm Right Angle Flowmeter Adapter	\$40
10a	1570-24	24mm Right Angle Flowmeter Adapter	\$55
11	5061	Mask to Tubing Plastic Connectors (Set of 2)	\$41
12	5062	Vacuum Hose "Y" Connector	\$37
13	4100-3NL	3 Liter Bag, Non-Latex	\$59
13a	4100-2NL	2 Liter Bag, Non-Latex	\$59
14	5063	1/2" with 3/8" T Adapter	\$19
14a	5068	5/8" with 3/8" T Adapter	\$19
15	5064	3/8" w/ 1/8" NPT Straight Adapter	\$19
16	5065	Vacuum Tube Holder	\$34
17	A-3679-000	HVE Adapter, Black, 3/4" Round (VAC/MASK)	\$43
18	A-4297-000	Porter Bag Tee Flapper / Exhalation Valve Assembly	\$43
19	4650	Porter Bag Tee Flapper / Exhalation Valve Only	\$19

# Porter Breathing Circuit Accessories And Parts



# Matrix Scavenger, Nasal Hoods, and Vacuum Control



**Matrix Scavenger - W/3-Liter Breathing Bag and Scavenger Control Valve**  
**82501** Matrix Scavenger Large \$988  
**82502** Matrix Scavenger Medium \$988  
**82503** Matrix Scavenger Pediatric \$988

**Matrix Scavenger - W/3-Liter Breathing Bag**  
**82504** Matrix Scavenger Large \$731  
**82505** Matrix Scavenger Medium \$731  
**82506** Matrix Scavenger Pediatric \$731

**Matrix Scavenger Assemblies Only**  
**91515192** Matrix Scavenger Large \$696  
**91515193** Matrix Scavenger Medium \$696  
**91515194** Matrix Scavenger Pediatric \$696

**Matrix Scavenger Without Hood**  
**91515197** Matrix Scavenger w/out Hood \$569

**Autoclavable Nasal Hoods - Matrix Scavenger**  
**91515096** Large Nasal Hood Only \$118  
**91515095** Medium Nasal Hood Only \$118  
**91515094** Pediatric Nasal Hood Only \$118

**Miscellaneous Replacement Parts**  
**4100-3NL** 3-Liter Breathing Bag NON-LATEX \$59  
**4100-2NL** 2-Liter Breathing Bag NON-LATEX \$59

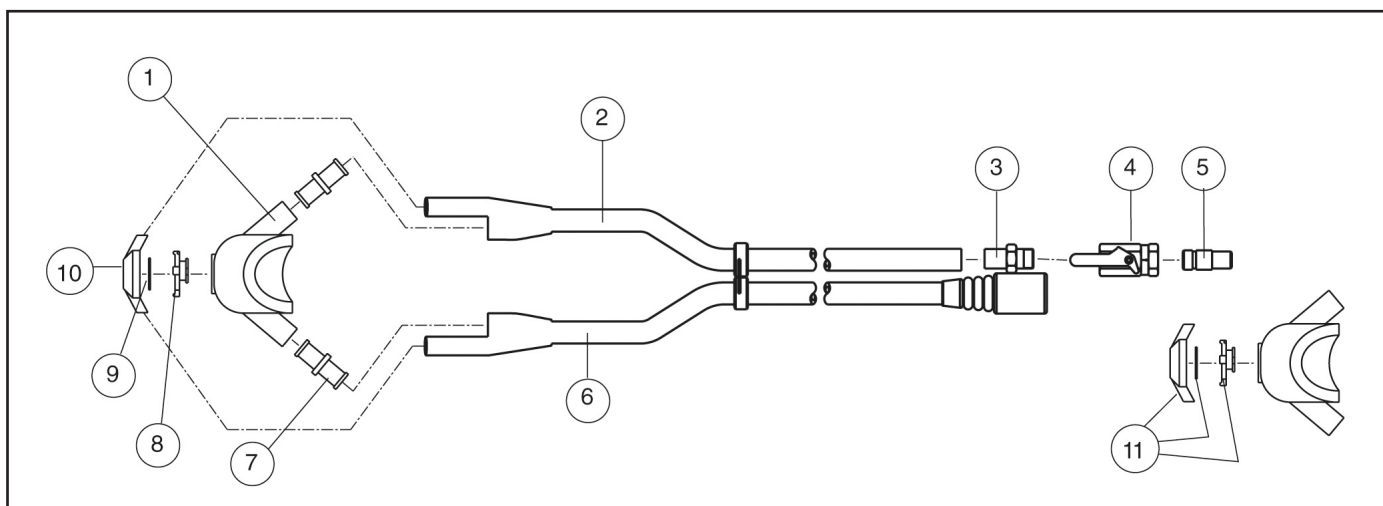
**Matrix Scavenger Control Valves**  
**91515083** For MDM/RA \$355  
**77000963** Replacement Knob \$54  
**91525109** For Digital MDM \$337  
**77000961** Replacement Knob \$71  
**91515085** With Ohio Quick-Connect Adapter \$424  
**91515086** For Cabinet Mounting \$344

**Quick Connect Vacuum Hose Adapter**  
**92515063-8** Quick Connect Hose \$261  
 For Connecting Scavenger + \$4/ft. to Vacuum Outlet: Ohio QC x 1/4" NPT





# Matrix Scavenger Parts



ITEM	PART NO.	DESCRIPTION	RETAIL
1	91515094	Pediatric Autoclavable Nasal Hood	\$118
1	91515095	Medium Autoclavable Nasal Hood	\$118
1	91515096	Large Autoclavable Nasal Hood	\$118
2	91515202	Replacement Vacuum Tubing	\$152
3	91515158	Replacement Vacuum Nipple (small orifice)	\$39
4	91515159	Replacement Shut-off Valve	\$92
5	91515205	Replacement Vacuum Adapter	\$21
6	91515203	Replacement Gas Tubing w/slide	\$152
7	91515201	Replacement Hood/Hose Connector (2/pk)	\$31
8	91515207	Replacement Cage Valve	\$54
9	91515162	Replacement Non-Breathing Valve (5 pk)	\$21
10	91515208	Replacement Matrix Scavenger Cone	\$71
11	91515177	Replacement Matrix Scavenger Cone Assembly	\$119



# Matrix DynoMite Single-Use Nasal Hoods



The only scented, single-use nasal hoods that come packaged with a colorful cartoon sticker.

- 3 size options and 5 scent options
- Universal adapter available

## Universal Conversion Kit

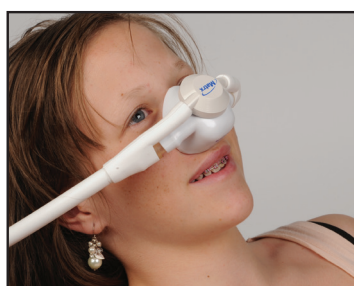
<b>91515142</b>	<b>DynoMite Nasal Hood Universal Conversion Kit</b> Easily retrofit Porter, Accutron and Belmed breathing circuits to use Matrix Dynamite nasal hoods.	<b>\$114</b>
-----------------	---	--------------

## DynoMite 12 Pack Bag

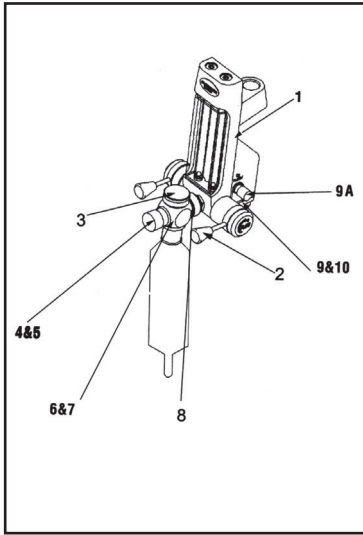
<b>91316496</b>	<b>Bubble Gum Small</b>	<b>\$77</b>
<b>91316503</b>	<b>Bubble Gum Medium</b>	<b>\$77</b>
<b>91316510</b>	<b>Bubble Gum Large</b>	<b>\$77</b>
<b>91316497</b>	<b>Strawberry Small</b>	<b>\$77</b>
<b>91316504</b>	<b>Strawberry Medium</b>	<b>\$77</b>
<b>91316511</b>	<b>Strawberry Large</b>	<b>\$77</b>
<b>91316498</b>	<b>Orange Small</b>	<b>\$77</b>
<b>91316505</b>	<b>Orange Medium</b>	<b>\$77</b>
<b>91316512</b>	<b>Orange Large</b>	<b>\$77</b>
<b>91316499</b>	<b>Vanilla Small</b>	<b>\$77</b>
<b>91316506</b>	<b>Vanilla Medium</b>	<b>\$77</b>
<b>91316513</b>	<b>Vanilla Large</b>	<b>\$77</b>
<b>91316500</b>	<b>Plain Small</b>	<b>\$77</b>
<b>91316507</b>	<b>Plain Medium</b>	<b>\$77</b>
<b>91316514</b>	<b>Plain Large</b>	<b>\$77</b>
<b>91316501</b>	<b>Assorted Scents Small</b>	<b>\$77</b>
<b>91316508</b>	<b>Assorted Scents Medium</b>	<b>\$77</b>
<b>91316515</b>	<b>Assorted Scents Large</b>	<b>\$77</b>
<b>91316516</b>	<b>Assorted Scents Various</b>	<b>\$77</b>

## DynoMite 24 Pack Bag

<b>91316461</b>	<b>Bubble Gum Small</b>	<b>\$139</b>
<b>91316468</b>	<b>Bubble Gum Medium</b>	<b>\$139</b>
<b>91316475</b>	<b>Bubble Gum Large</b>	<b>\$139</b>
<b>91316462</b>	<b>Strawberry Small</b>	<b>\$139</b>
<b>91316469</b>	<b>Strawberry Medium</b>	<b>\$139</b>
<b>91316476</b>	<b>Strawberry Large</b>	<b>\$139</b>
<b>91316463</b>	<b>Orange Small</b>	<b>\$139</b>
<b>91316470</b>	<b>Orange Medium</b>	<b>\$139</b>
<b>91316477</b>	<b>Orange Large</b>	<b>\$139</b>
<b>91316464</b>	<b>Vanilla Small</b>	<b>\$139</b>
<b>91316471</b>	<b>Vanilla Medium</b>	<b>\$139</b>
<b>91316478</b>	<b>Vanilla Large</b>	<b>\$139</b>
<b>91316465</b>	<b>Plain Small</b>	<b>\$139</b>
<b>91316472</b>	<b>Plain Medium</b>	<b>\$139</b>
<b>91316479</b>	<b>Plain Large</b>	<b>\$139</b>
<b>91316466</b>	<b>Assorted Scents Small</b>	<b>\$139</b>
<b>91316473</b>	<b>Assorted Scents Medium</b>	<b>\$139</b>
<b>91316480</b>	<b>Assorted Scents Large</b>	<b>\$139</b>
<b>91316481</b>	<b>Assorted Scents Various</b>	<b>\$139</b>

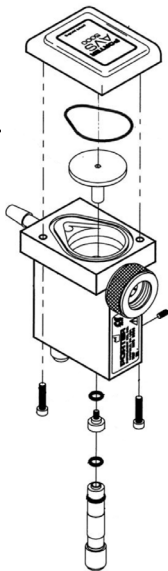


# Flowmeter Parts for Porter MXR, Porter Oral Surgery, Porter Standard Models and AVS Parts



## MXR and Standard Flowmeters

STOCK NO.	DESCRIPTION	
<b>1. PA-236-001</b>	Flow Tube Cover Models 3000 and 1100	\$54
<b>1a. PA-236-PL</b>	Flow Tube Cover Model 2000	\$54
<b>2. P2400</b>	Sterile Knob Kit, Set of 2	\$117
<b>3. A-2134</b>	Emergency Air Intake Valve Assembly	\$141
<b>4. A-4297-000</b>	Non-rebreathing Check Valve Assembly	\$43
<b>5. 4650</b>	Flapper Valve Only	\$19
<b>6. P1407A</b>	Bag Tee Assembly	\$331
<b>P1407QD</b>	Bag Tee Assembly, Quick Disconnect	\$421
<b>7. P2407A</b>	Oral Surgery Bag Tee Assembly (threaded)	\$419
<b>7a. A-1890-TF4</b>	Teflon Washer for Oral Surgery Y Valve	\$14
<b>8. A-3379-000</b>	Cannula / Bag Tee Adapter	\$118
<b>8a. PA-296-001</b>	Viton Sealing Washer for Bag Tees	\$5
<b>9. A-1762</b>	On / Off Switch Assembly	\$128
<b>9a. PA-128-PL3</b>	Green Knob for On/Off Switch	\$19
<b>10. A-4059-000</b>	On / Off Switch Rebuilt Kit	\$34



## Automatic Vacuum Switch Parts

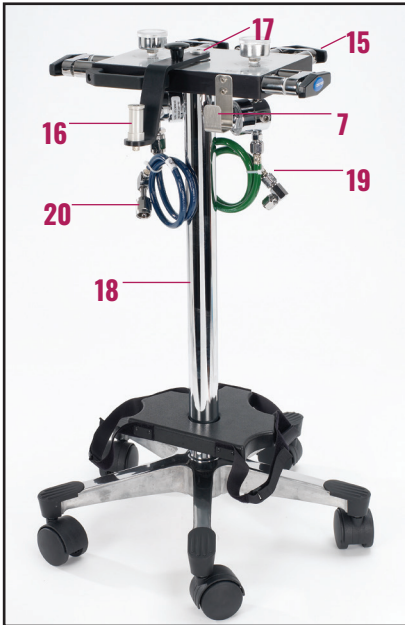
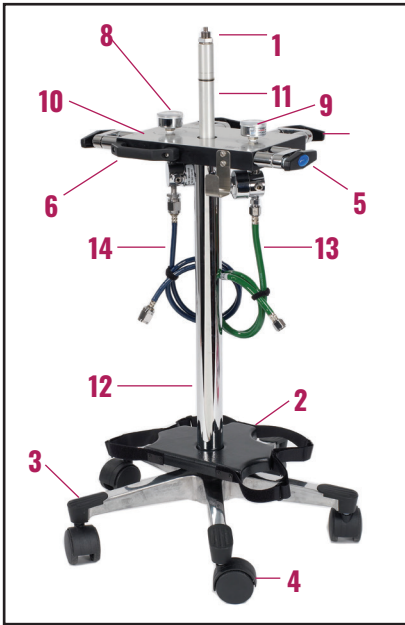
<b>AVS-KIT</b>	AVS Rebuild Kit	\$90
<b>B-3814-KIT</b>	AVS Sight Glass Repair Kit	\$61



## Sentry Sedate Replacement Parts – Keys & Lock

<b>PA-1687-001</b>	Sentry Keys (2016-Present)	\$42
<b>PA-1687-002</b>	Sentry Keys (2014-2015)	\$42
<b>PA-1687-000</b>	Sentry Keys (2013)	\$42
<b>C-1695-002</b>	Sentry Lock Kit (1)	\$79

# Porter and Matrix E-Stand and Mobile Cart Parts



E-Stand Regulators are not field serviceable / replaceable.

## E-STAND AND MOBILE CART PARTS (TALL OR SHORT)

<b>1. A-3369-000</b>	Porter / Matrix Mounting Stud w/ Washer (for all Porter / Matrix Mobile Stands)	\$65
<b>2. C-1658-000</b>	5 Star Wheel Base Cylinder Restraint	\$152
<b>3. 91505113</b>	5 Star Wheel Base	\$231
<b>4. PA-234-004</b>	Caster, Locking (1)	\$49
<b>5. A-4060-000</b>	Cylinder Yoke "T" Handle (1)	\$42
<b>6. PA-1182-000</b>	E-Block Handle	\$34
<b>7. A-2508-003</b>	Breathing Circuit Hook	\$47
<b>8. 64900422</b>	N <sub>2</sub> O E-Stand Pressure Gauge	\$92
<b>9. 64900423</b>	O <sub>2</sub> E-Stand Pressure Gauge	\$92
<b>* A-3399-000</b>	Yoke Gasket Washer (1)	\$3
<b>* PA-1185-000</b>	Cylinder Wrench with Chain	\$16
<b>* A-4434K</b>	Check Valve Repair Kit (1)	\$101
<b>* A-4544-000</b>	Post Thumb Screw Assembly	\$9
<b>* 649004C</b>	Pressure Gauge Cover** (threaded)	\$55
<b>* 649004RC</b>	Pressure Gauge Cover** (snap on)	\$55

## TALL E-STAND MOBILE CART PARTS

<b>10. C-1738-001</b>	Tall E-Stand E-Block Assembly (for 5 star base)	\$3,029
<b>11. A-3372-000</b>	Tall E-Stand Inner Post Assembly (with mounting stud)	\$179
<b>12. B-1883-001</b>	Tall E-Stand Post / Tube Assembly	\$373
<b>13. 8003</b>	O <sub>2</sub> Hose, 3 ft, DISS / DISS	\$180
<b>14. 8503</b>	N <sub>2</sub> O Hose, 3ft, DISS / DISS	\$180

## SHORT E-STAND MOBILE CART PARTS

<b>15. C-1738-001</b>	Short E-Stand E-Block Assembly (for 5 star base)	\$3,029
<b>16. B-4669-000</b>	S Bracket Assembly	\$139
<b>17. A-4052-000</b>	Short E-Stand Inner Post Assembly	\$196
<b>18. B-4668-000</b>	Short E-Stand Post / Tube Assembly	\$373
<b>19. 8082</b>	O <sub>2</sub> Hose, 2 ft., DISS / DISS w/ 90° Angle Elbow	\$225
<b>20. 8582</b>	N <sub>2</sub> O Hose, 2 ft., DISS / DISS w/ 90° Angle Elbow	\$225

## MOBILE STAND PARTS

<b>21. B-1883-000</b>	Compact Mobile Stand Post / Tube Assembly (2040)	\$302
<b>* B-1883-001</b>	Tall Mobile Stand Post / Tube Assembly (2042)	\$373
<b>22. PA-1313-000</b>	Mobile Stand Inner Post Knob Screw	\$21

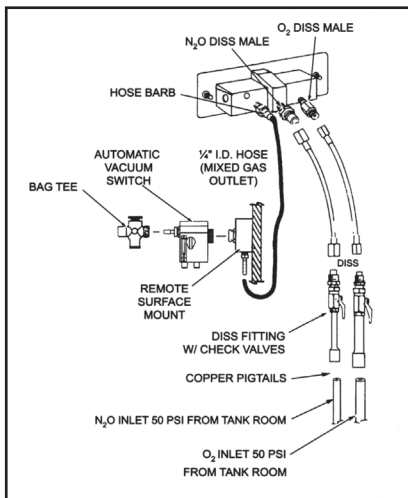
\*Part not shown

\*\*4RC part used on all E-blocks w/ serial starting after:

• 2045-3: 5425 • 2045-SHORT3: 2095 • SENTRY: 1675



# Flush Mount Flowmeter Accessories



## FLEXIBLE INSTALLATION

STOCK NO.	DESCRIPTION	
<b>PA-450-1-001</b>	1/4" ID Green O <sub>2</sub> Hose, 20 ft.	\$118
<b>PA-450-1-000</b>	1/4" ID Green O <sub>2</sub> Hose, 10 ft.	\$90
<b>A-2633-000</b>	Through Wall Adapter Assy. for Bag Tee	\$227
<b>A-1679</b>	Remote Surface Mount for Bag Tee Assembly	\$221
<b>B-2460-KIT</b>	Pre-Install Kit – Piped Outlet Connection, O <sub>2</sub> and N <sub>2</sub> O	\$350
<b>B-2460-003</b>	O <sub>2</sub> Piped Outlet Connection, DISS Check Valve	\$181
<b>B-2461-003</b>	N <sub>2</sub> O Piped Outlet Connection, DISS Check Valve	\$181
<b>PA-1501-000</b>	O <sub>2</sub> DISS Check Valve Assembly for -003	\$122
<b>PA-1502-000</b>	N <sub>2</sub> O DISS Check Valve Assembly for -003	\$122
<b>A-2508-000</b>	Rubber Goods Hook	\$54
<b>P1407A</b>	Bag Tee Assembly	\$331
<b>P1407QD</b>	Porter Bag Tee Assembly – Quick Disconnect	\$421
<b>8008</b>	O <sub>2</sub> DISS / DISS Hose, 8ft.	\$205
<b>8508</b>	N <sub>2</sub> O DISS / DISS Hose, 8ft.	\$205

## ACCESSORIES

STOCK NO.	DESCRIPTION	
<b>B-4988</b>	Bezel Mounting Bracket for MXR-1 and MXR-D (For MXR-D – new power supply required)	\$174

## GAS SUPPLY FITTINGS ONLY

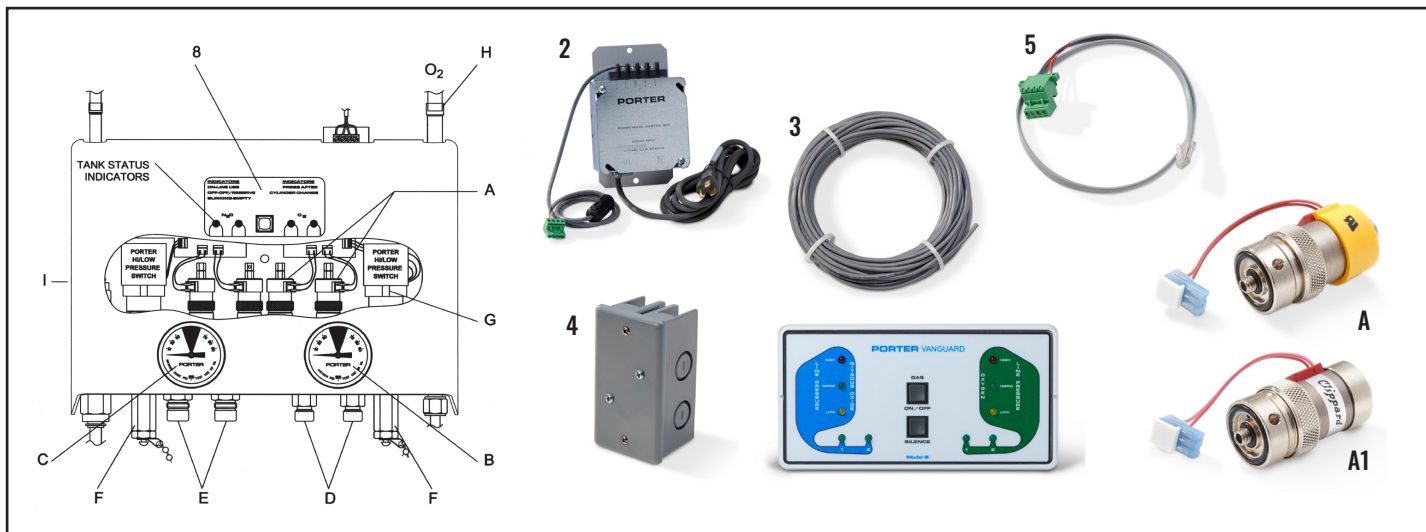
STOCK NO.	DESCRIPTION	
<b>A-1675</b>	Porter O <sub>2</sub> DISS / Male DISS Fitting	\$140
<b>PA-866-000</b>	O <sub>2</sub> DISS / NCG (Chemetron) Fitting	\$174
<b>PA-864-000</b>	N <sub>2</sub> O DISS / NCG (Chemetron) Fitting	\$174
<b>PA-867-000</b>	O <sub>2</sub> DISS / Puritan (McKesson & Fraser Harlake) Fitting	\$174
<b>PA-865-000</b>	N <sub>2</sub> O DISS / Puritan (McKesson & Fraser Harlake) Fitting	\$174
<b>PA-927-000</b>	O <sub>2</sub> DISS / Schrader Twist Fitting	\$186
<b>PA-928-000</b>	N <sub>2</sub> O DISS / Schrader Twist Fitting	\$186
<b>PA-871-000</b>	O <sub>2</sub> DISS / Oxequip Fitting	\$186
<b>PA-872-000</b>	N <sub>2</sub> O DISS / Oxequip Fitting	\$186
<b>PA-868-000</b>	O <sub>2</sub> DISS / Ohio Medical (Matrx) Fitting	\$186
<b>PA-869-000</b>	N <sub>2</sub> O DISS / Ohio Medical (Matrx) Fitting	\$186
<b>91505068</b>	O <sub>2</sub> , Matrx (OHIO) Female / 1/4" MNPT	\$365
<b>PA-1362-000</b>	O <sub>2</sub> DISS F x M 90 Degree Adapter	\$57
<b>PA-1727-000</b>	O <sub>2</sub> DISS / 90 Degree Swivel Elbow	\$143
<b>PA-1728-000</b>	N <sub>2</sub> O DISS / 90 Degree Swivel Elbow	\$143

## GAS SUPPLY TUBING

STOCK NO.	DESCRIPTION	
<b>B-1329-5</b>	Porter Duplex Hose, O <sub>2</sub> / N <sub>2</sub> O, Male DISS / Porter, 5ft.	\$370

SPECIAL ORDER ALL SALES FINAL

# Vanguard Manifold and Zone Valve Parts



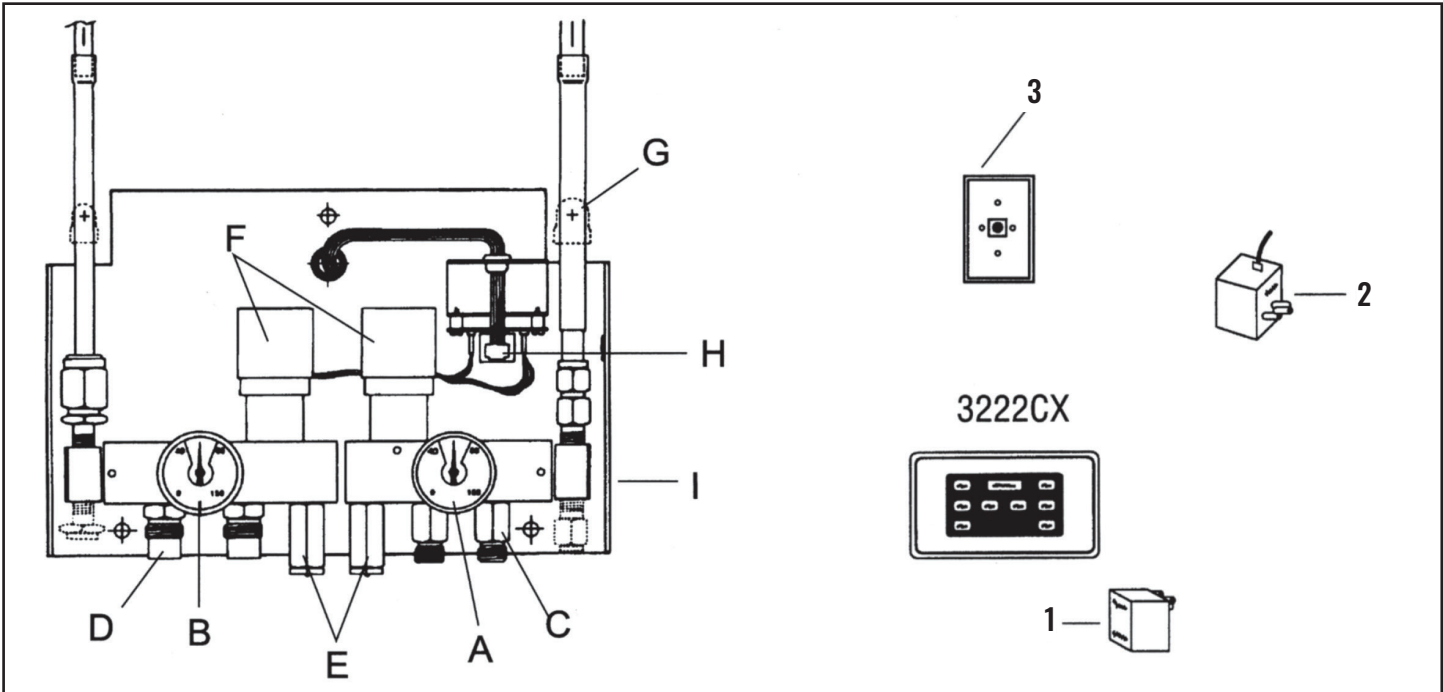
STOCK NO.	DESCRIPTION	
<b>A. A-2521-001</b>	Electric Pneumatic Solenoid – Yellow Band	\$177
<b>A1. A-4258-000</b>	(Normal Open) model No & NOHF – Silver Band	\$173
<b>B. PA-1433-000</b>	O <sub>2</sub> Gauge 0-150-psi	\$93
<b>C. PA-1433-001</b>	N <sub>2</sub> O Gauge 0-150-psi	\$93
<b>D. B-1322</b>	O <sub>2</sub> DISS Check Valve Assembly	\$102
<b>E. B-1323</b>	N <sub>2</sub> O DISS Check Valve Assembly	\$102
<b>F. B-1324</b>	Pressure Relief Valve Assembly	\$129
<b>G. C-394-001</b>	Pressure Switch Assembly	\$339
<b>H. A-2144</b>	Diss / Copper Pigtails (straight) Oxygen - 1/2 O.D. copper x DISS O <sub>2</sub> female	\$173
	Nitrous Oxide - 3/8 O.D. copper x DISS N <sub>2</sub> O female	
<b>1. A-4558-000</b>	Molded Plastic Vanguard Manifold Cover Complete	\$193
<b>2. C-1648-000</b>	Power Supply	\$311
<b>3. KA18028-020</b>	75ft PVC Cable, #22 AWG, 4 Conductor for Vanguard	\$232
<b>KA18028-021</b>	75ft Teflon Cable #22 AWG, 4 Conductor for Vanguard	\$431
<b>KA18028-000</b>	PVC Cable, #22 AWG, 4 Conductor for Vanguard - PER FOOT-CUSTOM LENGTH	\$4/ft.
<b>KA18028-001</b>	Teflon Cable, #22 AWG, 4 Conductor for Vanguard - PER FOOT-CUSTOM LENGTH	\$5/ft.
<b>3a. KA11657-000</b>	Terminal Block	\$40
<b>4. B-1811-000</b>	Concealed Interconnect Assembly for Wall Alarm	\$214
<b>5. 5700-EZ</b>	Cable Assembly	\$84
<b>7. A-2522-000</b>	Signal Interconnect Assembly for Desk Alarm	\$218
<b>8a. A-3381-001</b>	Vanguard Manifold PC Board Assembly Only(model "A" only)	\$1,098
<b>8b. A-3381-003</b>	Vanguard Manifold PC Board Assembly Only (model No & NOHF & NOHF-1)	\$1,066
<b>PA-514-000</b>	Oxygen Pipeline Label, vinyl	\$3
<b>PA-515-000</b>	Nitrous Oxide Pipeline Label, vinyl	\$3
<b>C-1440-001</b>	9000-2 Vanguard Zone Valve Pressure Switch Assembly	\$792
<b>5700-100P</b>	100' Plenum Modular Cable	\$418
<b>9000-FACEPLATE</b>	9000 – Faceplate Assembly	\$208

## Matrx Manifold Retrofit Elbows

<b>B-5496-000</b>	N <sub>2</sub> O Elbow	\$90
<b>B-5497-000</b>	O <sub>2</sub> Elbow	\$90

See page 32 for additional Vanguard Manifold parts.

# Sentinel Manifold and Zone Valve Parts



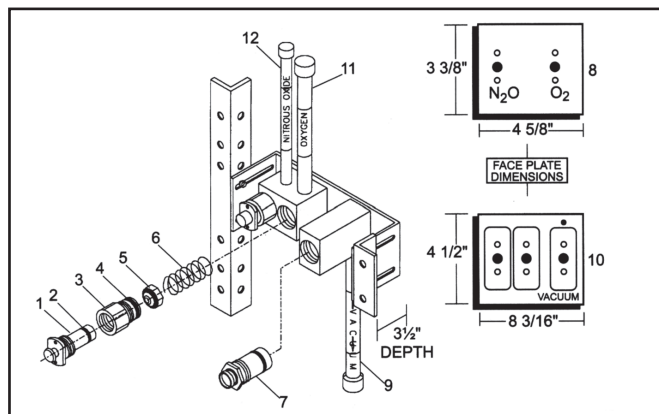
STOCK NO.	DESCRIPTION	
A. PA-1433-000	O <sub>2</sub> Gauge, 0-150 psi	\$93
B. PA-1433-001	N <sub>2</sub> O Gauge, 0-150 psi	\$93
C. B-1322	O <sub>2</sub> DISS Check Valve Assembly	\$102
D. B-1323	N <sub>2</sub> O DISS Check Valve Assembly	\$102
E. B-1324	Pressure Relief Valve Assembly	\$129
F. C-394-000	Pressure Switch Assembly	\$347
G. A-2144	DISS/Copper Pigtails (straight)	\$173
	Oxygen-1/2 O.D. copper x DISS O <sub>2</sub> female	
	Nitrous Oxide- 3/8 O.D. copper x DISS N <sub>2</sub> O female	
H. A-2041	Sentinel Interconnect Board Assembly	\$111
I. D-160-PL	Molded Plastic 3222MX Cover	\$91
5775	75' Sentinel Modular Connector Cable(standard)	\$220
5700-150	150' Sentinel Modular Connector Cable(special order)	\$297
5700-200	200' Sentinel Modular Connector Cable(special order)	\$335
5700-100P	100' Plenum Modular Connector Cable (custom – no returns)	\$418
1. C-1783-000	Power Supply for Wall Sentinel	\$206
2. C-1783-001	Power Supply for Desk Sentinel	\$206
3. A-2083	Modular Cable Connector Box	\$229
PA-636	Sentinel Light Bulb All Glass	\$9
PA-571	Sentinel Light Bulb Old Bayonet Style	\$14
C-1440-000	Sentinel Zone Valve Pressure Switch Assembly	\$792
9000-FACEPLATE	9000 – Faceplate Assembly	\$208

# Outlet Station Replacement Parts

For Models 6100-1, 6200-1, 6300-1, 6256-1, 6256-3, 6258-1, 6255-1

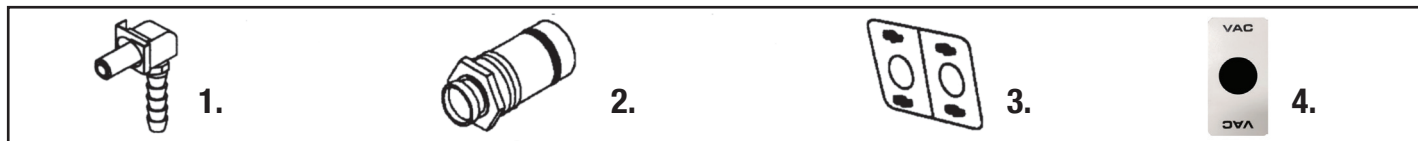
**PORTER Instrument advises replacing both N<sub>2</sub>O and O<sub>2</sub> check valves when servicing Outlet Stations.**

Numbers 3 through 6 represent the Secondary Check Valve Assembly. This valve is only in use when the Primary Check Valve is removed for servicing and will NOT remedy a leaking outlet station.



STOCK NO.	DESCRIPTION	
<b>6200K</b>	<b>Outlet Station Repair Kit Includes N<sub>2</sub>O, O<sub>2</sub> primary check valves and O-rings for 6200, 6256, 6300</b>	<b>\$221</b>
1. *A-1655-A	O <sub>2</sub> Primary Check Valve Assembly for 6100, 6200, 6256, 6300	\$112
*A-1655-B	N <sub>2</sub> O Primary Check Valve Assembly for 6200, 6256, 6300	\$112
<b>6200-1K</b>	<b>Outlet Station Repair Kit Includes N<sub>2</sub>O, O<sub>2</sub> primary check valves and O-rings for 6200-1, 6256-1, 6256-3, 6300-1, 6258-1, 6255-1</b>	<b>\$174</b>
1. A-2689-000	O <sub>2</sub> Primary Check Valve Assembly(slotted back)	\$91
A-2690-000	N <sub>2</sub> O Primary Check Valve Assembly(slotted back)	\$91
2. PB-102-104NE	014 O-ring for O <sub>2</sub> or N <sub>2</sub> O Primary Check Valve, outside	\$5
3. B-2237-000	O <sub>2</sub> Cartridge Body	\$45
B-2275-000	N <sub>2</sub> O Cartridge Body	\$45
4. PB-102-215	016 O-ring	\$5
5. A-2699-000	Secondary Check Valve Assembly with O-ring	\$32
6. PB-115-63SS	Compression Spring	\$5
7. B-1231-003	Vacuum Check Valve Assembly	\$101
A-3356-000	5600-3 Vacuum, Face Plate Kit	\$82
8. B-2568-000	6200-1 Dual, Face Plate Kit	\$68
9. LB-119-000	Vacuum Pipeline Label	\$3
B-2737-001	Single O <sub>2</sub> face Plate Kit (6100-1)	\$106
10. B-2737-003	6256-3 Triple, Face Plate Kit	\$141
B-2737-004	6255-1 Triple Face Plate Kit	\$141
B-2737-005	6258-1 Faceplate and Screws	\$141
B-2737-006	6258-1B Faceplate and Screws	\$137
11. PA-514-000	O <sub>2</sub> Pipeline Label Vinyl	\$3
12. PA-515-000	N <sub>2</sub> O Pipeline Label Vinyl	\$3

\*Note: Primary and secondary check valve assemblies marked (\*) above are for outlet stations manufactured prior to February 1986 only.

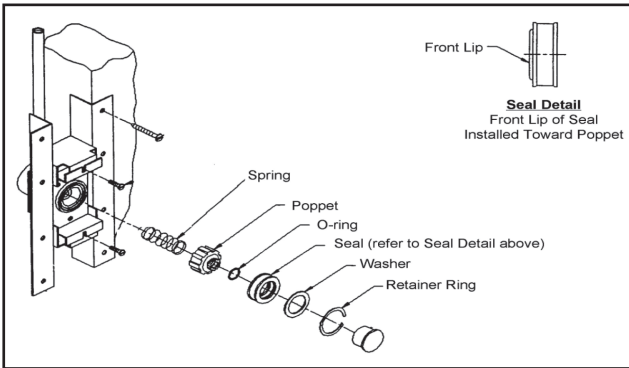


<b>5602-RK</b>	<b>In-Line Vacuum to 6256-1 Retrofit Kit includes:</b>	<b>\$264</b>
1. 5602	Vacuum Quick Connect	\$169
2. B-1231-003	New Notched Vacuum Check Valve Assembly	\$101
3. LB-169	O <sub>2</sub> / N <sub>2</sub> O Label	\$5
4. LB-343-000	Vacuum Label	\$5





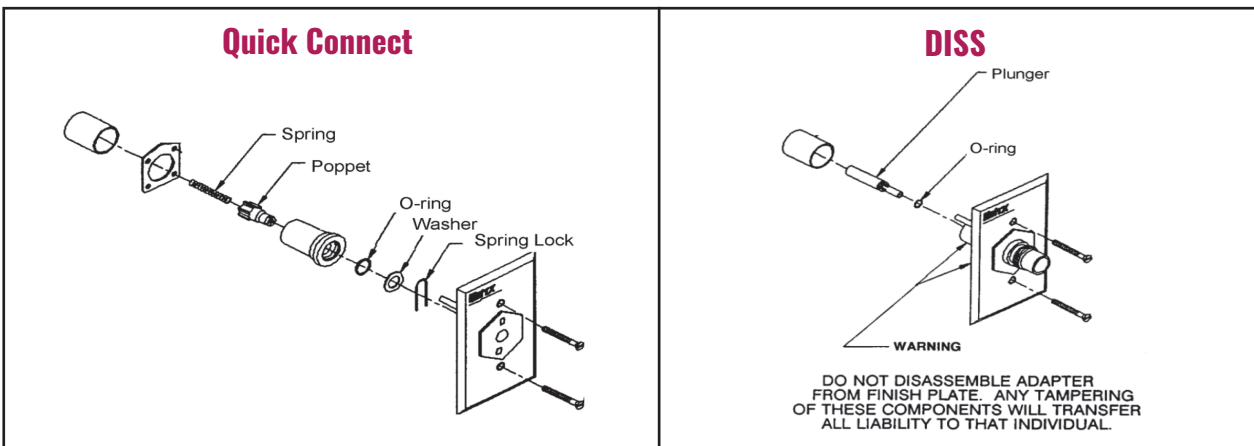
## Rough-in Repair Kits for Matrix (Ohio Medical style) Medical Gas Outlets



REPAIR KIT FOR:	PART NUMBER	PRICE
Rough-in Kit for N <sub>2</sub> O, O <sub>2</sub> , and Air	<b>91309044</b>	\$25
Rough-in Kit for Vacuum (WAGD only)	<b>91309045</b>	\$26
Rough-in Kit for N <sub>2</sub> Only	<b>91309043</b>	\$45



## Finish Plate Repair Kits for Matrix (Ohio Medical style) Q D and DISS Medical Gas Outlets



PART NUMBER	PRICE
<b>91309042</b>	\$16
REPAIR KIT FOR: FINISH PLATE	
Quick Connect N <sub>2</sub> O, O <sub>2</sub> , Vacuum, WAGD & Air	

PART NUMBER	PRICE
<b>91309046</b>	\$49
DISS O <sub>2</sub>	
<b>91309047</b>	\$47
DISS Vacuum, WAGD	
<b>91309048</b>	\$63
DISS Air, N <sub>2</sub> or N <sub>2</sub> O	

## Porter Reliant Parts

<b>021008</b>	Bacterial Filter	\$190
<b>021206</b>	Door Gasket	\$190
<b>0230050</b>	Cleaning Tablets (10)	\$135
<b>105320</b>	Water Filter	\$35
<b>105321</b>	Filter Holder	\$91
<b>105363</b>	Water Dam – Orange	\$40

Reliant and Purity systems have been discontinued. Parts (other than for routine maintenance) subject to availability. Call for more information.

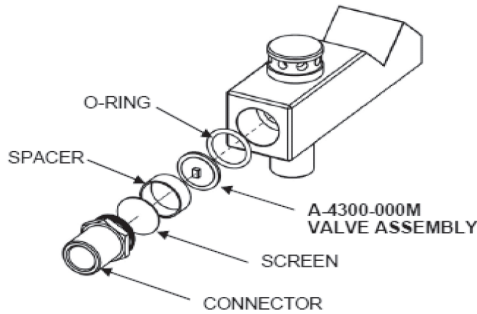
# Matrix Non-Rebreathing Valve Replacement And Instructions



Part Number  
**A-4300-000M**

Price  
**\$49**

## MDM / RA Bag Tee

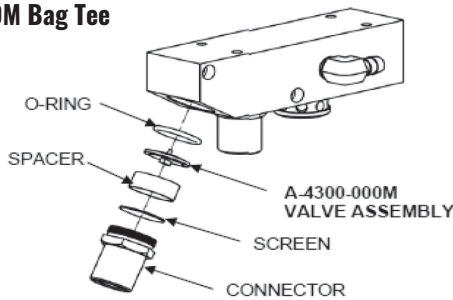


## Retrofit Instructions for A-4300-000M Kit

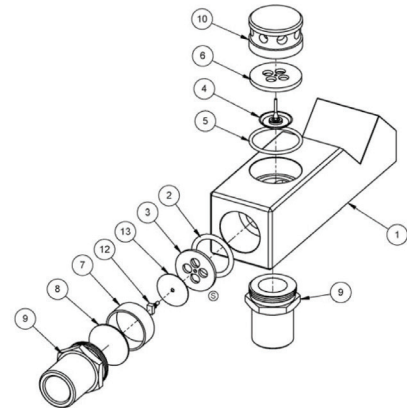
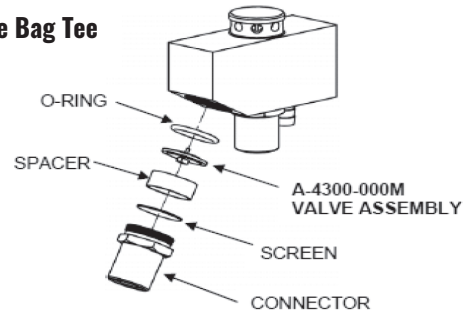
### Instructions:

1. Unscrew the connector from the block.
2. Remove the screen, spacer and the old Non-Rebreathing Valve Assembly.
3. Discard the OLD Non-Rebreathing Valve Assembly.
4. Insert new A-4300-000M Valve Assembly. Orientate as shown.
5. Re-Insert Spacer.
6. Re-Insert Screen.
7. Re-Screw in the Connector.

## DMDM Bag Tee



## Remote Bag Tee



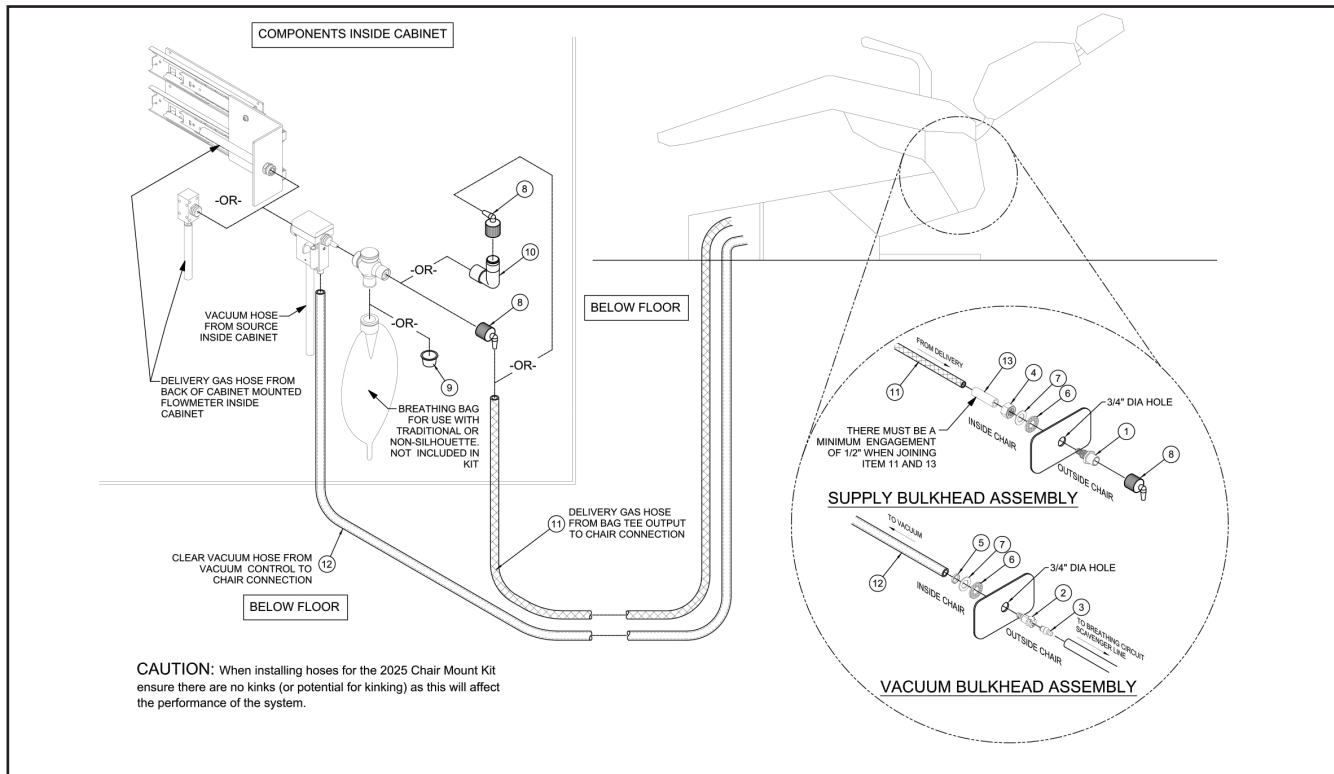
## MDM & RA Outlet Housing Spare Parts

Item #	Part Number	Description	Price
1	30017600 – Complete Housing – includes all parts listed below (1-10)	Outlet Housing	\$294
2	63200129	O-ring	\$2
Assembly consisting of 3, 12, & 13	A-4300-000M	Non-Rebreathing (NRB) Valve Assembly	\$49
4	61302500	Mushroom Valve	\$36
5	63200128	O-ring	\$2
6	20178602	Air Inlet Adapter	\$45
7	10431102	Spacer	\$10
8	65941800	Screen	\$5
9	10221600	Breathing Bag & Fresh Gas Connector	\$54
10	20132800	Air Inlet Valve Cap	\$30

# Porter 2025 Chair Mount Kit

**\$399**

## Schematic and Parts:



### 2025 Chair Mount Kit consists of the following:


- |   |                        |  |                        |
|---|------------------------|--|------------------------|
| <b>1. B-5568-000</b><br>Bulkhead Connector                                  | <b>QTY: 1 \$61</b>     | <b>9. 62905510W</b><br>Caplug (12), White  | <b>QTY: 1 \$15</b>     |
| <b>2. PA-1633-000</b><br>Bulkhead Coupler, Valved<br>(includes PA-1634-000) | <b>QTY: 1 \$37</b>     | <b>10. 1571-22</b><br>Connector (22mm) M/F,<br>90° Elbow                               | <b>QTY: 1 \$40</b>     |
| <b>3. PA-1635-000</b><br>Unvalved Nipple                                    | <b>QTY: 1 \$14</b>     | <b>11. PA-1640-001</b><br>Hose, Braided, 5/16" ID, 25' L<br>Hose, Clear w/ White Braid | <b>QTY: 1 \$148</b>    |
| <b>4. PA-1636-000</b><br>Hex Nut, Nylon, 3/4-10                             | <b>QTY: 1 \$14</b>     | <b>12. PA-679-CLR25</b><br>Vacuum Tubing, 9/16 OD, 3/8 ID,<br>PVC, Clear, 25' L        | <b>QTY: 1 \$135</b>    |
| <b>5. PA-1634-000</b><br>Coupler Nut  | <b>QTY: 1 \$14</b>     | <b>13. A-4484-000</b><br>Tubing, 0.625 OD-3/8 ID, Grey,<br>2" L                        | <b>QTY: 1 \$13</b>     |
| <b>6. PA-1637-000</b><br>Washer, Sealing, Neoprene                          | <b>QTY: 2 \$14 ea.</b> | <b>14. PA-1639-000</b><br>Hole Plug, 3/4", White                                       | <b>QTY: 2 \$13 ea.</b> |
| <b>7. PA-1638-000</b><br>Washer, Flat, Nylon                                | <b>QTY: 2 \$14 ea.</b> |  |                        |
| <b>8. B-5603-000</b><br>Elbow, 22mm x 7mm                                   | <b>QTY: 2 \$7 ea.</b>  |  |                        |

# Flush Mount Flowmeters Mounted





# Portable E-Cylinder System vs. Central System Gas Cost Comparison\*

Cylinder Size	Gas	Cylinder Capacity (Liters)	Cost Per Cylinder	Cost Per Cylinder	Gas Delivery	1/2 Hour Procedure			Total Gas Usage		Cost	Patients Per Week	Weeks Per Year	Total Procedures	Total Gas Cost
						Total Minutes	Gas	LPM	Total Gas LPM	Gas					
E	O2	625	\$25.00	\$0.040	Pre-O2	5	O2	6	30	O2	150				
E	N2O	1590	\$45.00	\$0.028	Procedure	30	N2O	3	90	N2O	90				
					Procedure	30	O2	3	90						
					Post-O2	5	O2	6	30	E Cylinder Tank 1/2 Hr Procedure	\$8.55	10	50	500	\$4,273.58
												20	50	1000	\$8,547.17
H	O2	7985	\$35.00	\$0.004	Pre-O2	5	O2	6	30	O2	150				
H	N2O	16057	\$87.00	\$0.005	Procedure	30	N2O	3	90	N2O	90				
					Procedure	30	O2	3	90						
					Post-O2	5	O2	6	30	H Cylinder Tank 1/2 Hr Procedure	\$1.15	10	50	500	\$572.56
												20	50	1000	\$1,145.12
											10 Uses Per Week =	Gas Savings	\$3,701.02		
											20 Uses Per Week =	Gas Savings	\$7,402.05		
											<b>Gas Cost Difference Per Procedure</b>		<b>\$7.40</b>		
											<b>Central System Office - ROI Example</b>				
											Nitrous Fee	\$ 50.00			
											Revenue	\$ 50,000	Profit	\$ 48,855	
											Nitrous Fee	\$ 75.00			
											Revenue	\$ 75,000	Profit	\$ 73,855	
											<b>Insurance Billing Code: D9230</b>				
															



The Trusted Name In Nitrous

Porter Instrument 215-723-4000  
 www.PorterInstrument.com/dental  
 245 Township Line Rd  
 Hatfield, PA 19440  
 porternitrous@porter.com

\*Disclaimer:  
 Cost per cylinder may vary. Above pricing does not take into consideration additional delivery and rental fees.  
 Gas delivery protocol is an example only. Individual practitioner must determine proper administration protocol.

FLUSH MOUNT  
FLOWMETERS

UPRIGHT  
FLOWMETERS

ORAL  
SURGERY

MANIFOLD  
SYSTEMS

OUTLETS  
AND HOSES

BREATHING  
CIRCUITS

MISCELLANEOUS  
PARTS

# PORTER

## NITROUS SYSTEMS

*The Trusted Name In Nitrous*

### Porter Instrument

245 Township Line Rd. Hatfield, PA 19440

**Phone:** 215-723-4000 or 888-723-4001

**Fax:** 215-723-5106

**Email:** porternitrous@parker.com

**Website:** [www.PorterInstrument.com/dental](http://www.PorterInstrument.com/dental)

